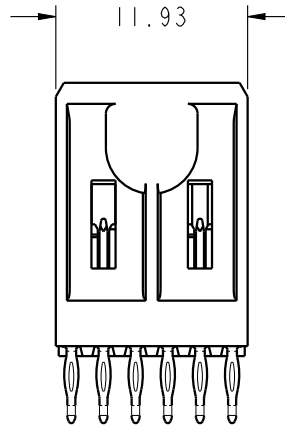
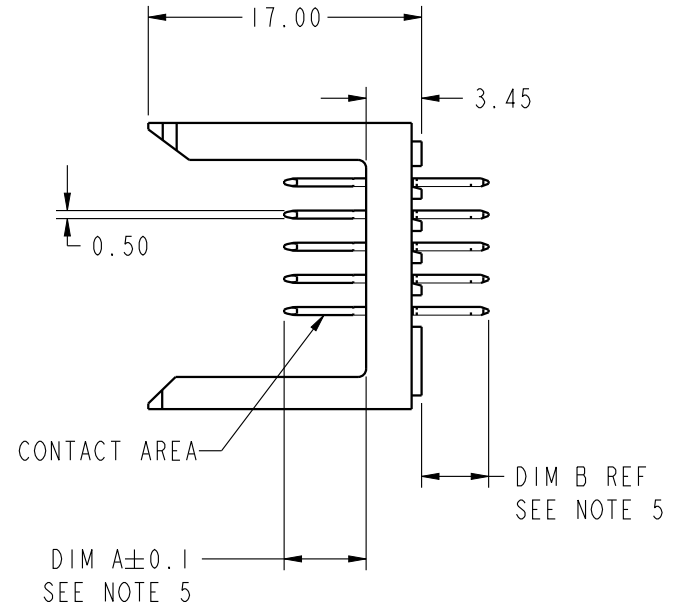
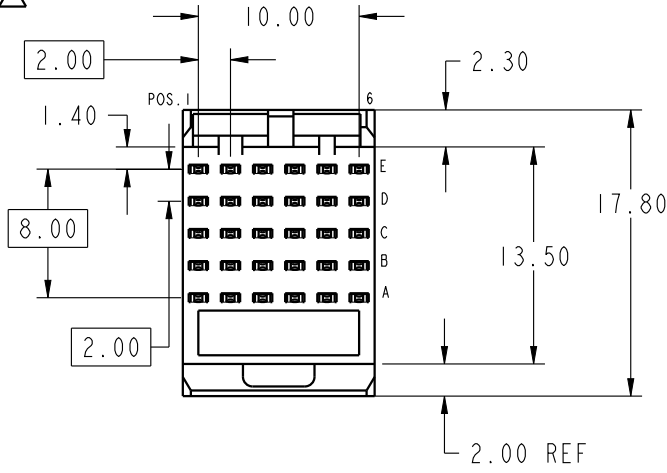


PRODUCT NUMBER

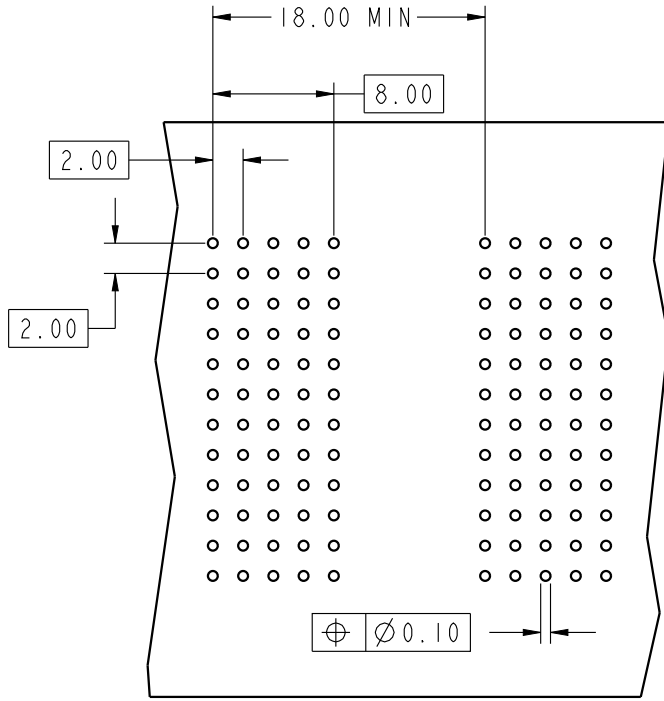
89006-XYX(L)LF

L REFER LUBRICATED (OPTIONAL) Δ
SEE NOTE 2

X REFER PLATING PERFORMANCE Δ
SEE NOTE 2



spec ref	*	dr	Terran Huang	2010/07/09	projection	MM	size	A4	scale	2:1
tolerance std	TOLERANCES UNLESS OTHERWISE SPECIFIED	eng	Rahul Mohan-M	2021/08/26			ecn no	ELX-I-41238-1		
ISO 406 ISO 1101		chr	-	-				rel level	Released	
surface	3.200 linear	appr	Kuriakose, San	2021/08/26	product family	METRAL				
ISO 1302	angular	Amphenol FCi		title	METRAL SIGNAL HEADER			dwg no	89006	
		www.fci.com		1 MOD, 5 ROW PRESS-FIT	Product - Customer Drw			rev	BS	
		cat. no.		-	Product - Customer Drw			sheet 1 of 10		



REQUIRED PC BOARD LAYOUT
COMPONENT SIDE
SEE PRINT 58351 FOR
ADDITIONAL PCB INFORMATION

KEY		
CODE	DIMENSIONS	
	DIM "A" MATE	DIM "B" TAIL
1	5.00	4.30
2	5.75	4.30
3	6.50	4.30
4	7.25	4.30
5	5.00	13.60
6	5.75	13.60
7	6.50	13.60
8	7.25	13.60
9	5.00	17.00
10	5.75	17.00
11	6.50	17.00
12	7.25	17.00
13	8.25	4.30
14	8.25	13.60
15	8.25	17.00
16	7.00	4.30
17	7.00	13.60
18	7.00	17.00
19	8.00	4.30
20	8.00	13.60
21	8.00	17.00
59	5.00	11.80

spec ref	*	dr	Terran Huang	2010/07/09	projection	MM	size	A4	scale	2:1	
tolerance std	TOLERANCES UNLESS OTHERWISE SPECIFIED	eng	Rahul Mohan-M	2021/08/26				ecn no	ELX-I-41238-1		
ISO 406		chr	-	-		product family		METRAL	rel level	Released	
ISO 1101		appr	Kuriakose, San	2021/08/26			rev				
surface	3.200 linear	Amphenol FCI www.fci.com			title METRAL SIGNAL HEADER 1 MOD, 5 ROW PRESS-FIT		dwg no 89006		rev BS		
	0.X										±0.3
	0.XX										±0.13
	0.XXX	±0.050	cat. no.		-	Product - Customer Drw		sheet 2 of 10			
ISO 1302	angular	0°	±2°								

METRAL P/N	ROW	CONTACT CODE MOD. I						METRAL P/N	ROW	CONTACT CODE MOD. I						METRAL P/N	ROW	CONTACT CODE MOD. I						METRAL P/N	ROW	CONTACT CODE MOD. I						METRAL P/N	ROW	CONTACT CODE MOD. I							
		1	2	3	4	5	6			1	2	3	4	5	6			1	2	3	4	5	6			1	2	3	4	5	6			1	2	3	4	5	6		
89006-X10LF	E	1	1	1	1	1	89006-X14LF	E	4	4	4	4	4	89006-X19LF	E	4	4	4	4	4	89006-X23LF	E	8	8	8	8	8	89006-X27LF	E	6	6	6	6	6	89006-X32LF	E	12	12	12	12	12
	D	1	1	1	1	1		D	3	3	3	3	3		D	4	4	4	4	4		D	20	20	20	20	20		D	6	6	6	6	6		D	11	11	11	11	11
	C	1	1	1	1	1		C	4	4	4	4	4		C	4	4	4	4	4		C	8	8	8	8	8		C	6	6	6	6	6		C	11	11	11	11	11
	B	1	1	1	1	1		B	4	4	4	4	4		B	4	4	4	4	4		B	8	8	8	8	8		B	6	6	6	6	6		B	9	9	9	9	9
	A	1	1	1	1	1		A	4	4	4	4	4		A	4	4	4	4	4		A	8	8	8	8	8		A	20	20	20	20	20		A	9	9	9	9	9

spec ref	*	dr	Terran Huang	2010/07/09	projection	size	A4	scale	1:1
tolerance std	TOLERANCES UNLESS OTHERWISE SPECIFIED	eng	Rahul Mohan-M	2021/08/26			ecn no	ELX-I-41238-1	
ISO 406		chr	-	-				rel level	Released
ISO 1101		appr	Kuriakose, San	2021/08/26	product family	METRAL		rev	
surface	3.200 ✓				METRAL SIGNAL HEADER		dwg no	89006	
	linear	0.X	±0.3	www.fci.com		cat. no.		-	
		0.XX	±0.13	Product - Customer Drw		sheet 3 of 10		rev	
		0.XXX	±.050					BS	
	angular	0°	±2°						

METRAL P/N	ROW	CONTACT CODE MOD. I					
		1	2	3	4	5	6
89006-X36LF	E	10	10	10	10	10	10
	D	10	10	10	10	10	10
	C	10	10	10	10	10	10
	B	10	10	10	10	10	10
	A	10	10	10	10	10	10
89006-X41LF	E	2	2	2	2	2	2
	D	1	1	1	1	1	1
	C	2	2	2	2	2	2
	B	2	2	2	2	2	2
	A	3	3	3	3	3	3
89006-X45LF	E	1	1	1	1	1	1
	D	19	19	19	19	19	19
	C	1	1	1	1	1	1
	B	19	19	19	19	19	19
	A	1	1	1	1	1	1
89006-X49LF	E	4	4	4	4	4	4
	D	3	3	3	3	3	3
	C	3	3	3	3	3	3
	B	3	3	3	3	3	3
	A	19	19	19	19	19	19
89006-X53LF	E	6	6	6	6	6	6
	D	6	6	6	6	6	6
	C	6	6	6	6	6	6
	B	6	6	6	6	6	6
	A	8	8	8	8	8	8
89006-X57LF	E	6	6	6	6	6	6
	D	7	7	7	7	7	7
	C	6	6	6	6	6	6
	B	6	6	6	6	6	6
	A	7	7	7	7	7	7
89006-X37LF	E	10	10	10	10	10	10
	D	10	10	10	10	10	10
	C	10	10	10	10	10	10
	B	10	10	10	10	10	10
	A	21	21	21	21	21	21
89006-X42LF	E	2	2	2	2	2	2
	D	4	4	4	4	4	4
	C	4	4	4	4	4	4
	B	3	3	3	3	3	3
	A	4	4	4	4	4	4
89006-X46LF	E	2	2	2	2	2	2
	D	2	2	2	2	2	2
	C	4	4	4	4	4	4
	B	2	2	2	2	2	2
	A	2	2	2	2	2	2
89006-X50LF	E	6	6	6	6	6	6
	D	6	6	6	6	6	6
	C	6	6	6	6	6	6
	B	8	8	8	8	8	8
	A	6	6	6	6	6	6
89006-X54LF	E	5	5	5	5	5	5
	D	7	7	7	7	7	7
	C	8	8	8	8	8	8
	B	7	7	7	7	7	7
	A	5	5	5	5	5	5
89006-X39LF	E	12	12	12	12	12	12
	D	12	12	12	12	12	12
	C	12	12	12	12	12	12
	B	12	12	12	12	12	12
	A	12	12	12	12	12	12
89006-X43LF	E	2	2	2	2	2	2
	D	2	2	2	2	2	2
	C	2	2	2	2	2	2
	B	2	2	2	2	2	2
	A	4	4	4	4	4	4
89006-X47LF	E	2	2	2	2	2	2
	D	3	3	3	3	3	3
	C	2	2	2	2	2	2
	B	2	2	2	2	2	2
	A	3	3	3	3	3	3
89006-X51LF	E	6	6	6	6	6	6
	D	5	5	5	5	5	5
	C	6	6	6	6	6	6
	B	6	6	6	6	6	6
	A	7	7	7	7	7	7
89006-X55LF	E	5	5	5	5	5	5
	D	20	20	20	20	20	20
	C	5	5	5	5	5	5
	B	20	20	20	20	20	20
	A	5	5	5	5	5	5
89006-X59LF	E	8	8	8	8	8	8
	D	7	7	7	7	7	7
	C	7	7	7	7	7	7
	B	7	7	7	7	7	7
	A	20	20	20	20	20	20
89006-X40LF	E	2	2	2	2	2	2
	D	2	2	2	2	2	2
	C	2	2	2	2	2	2
	B	4	4	4	4	4	4
	A	2	2	2	2	2	2
89006-X44LF	E	1	1	1	1	1	1
	D	3	3	3	3	3	3
	C	4	4	4	4	4	4
	B	3	3	3	3	3	3
	A	1	1	1	1	1	1
89006-X48LF	E	19	19	19	19	19	19
	D	19	19	19	19	19	19
	C	19	19	19	19	19	19
	B	19	19	19	19	19	19
	A	19	19	19	19	19	19
89006-X52LF	E	6	6	6	6	6	6
	D	8	8	8	8	8	8
	C	8	8	8	8	8	8
	B	7	7	7	7	7	7
	A	8	8	8	8	8	8
89006-X56LF	E	6	6	6	6	6	6
	D	6	6	6	6	6	6
	C	8	8	8	8	8	8
	B	6	6	6	6	6	6
	A	6	6	6	6	6	6
89006-X60LF	E	10	10	10	10	10	10
	D	10	10	10	10	10	10
	C	10	10	10	10	10	10
	B	12	12	12	12	12	12
	A	10	10	10	10	10	10

spec ref	*	dr	Terran Huang	2010/07/09	projection	size	A4	scale	1:1	
tolerance std	TOLERANCES UNLESS OTHERWISE SPECIFIED	eng	Rahul Mohan-M	2021/08/26			ecn no	ELX-I-41238-1	rel level	Released
ISO 406		chr	-	-						
ISO 1101		appr	Kuriakose, San	2021/08/26	product family	METRAL				
surface	3.200 ✓				METRAL SIGNAL HEADER 1 MOD, 5 ROW PRESS-FIT			dwg no 89006	rev BS	
ISO 1302	angular	0°	±2°	www.fci.com	cat. no.	-	Product - Customer Drw		sheet 4 of 10	

METRAL P/N	ROW	CONTACT CODE MOD. I						METRAL P/N	ROW	CONTACT CODE MOD. I						METRAL P/N	ROW	CONTACT CODE MOD. I						METRAL P/N	ROW	CONTACT CODE MOD. I						METRAL P/N	ROW	CONTACT CODE MOD. I													
		1	2	3	4	5	6			1	2	3	4	5	6			1	2	3	4	5	6			1	2	3	4	5	6			1	2	3	4	5	6	1	2	3	4	5	6		
89006-X61LF	E	10	10	10	10	10	10	89006-X65LF	E	9	9	9	9	9	9	89006-X69LF	E	12	12	12	12	12	12	89006-X73LF	E	4	4	4	4	4	4	89006-X77LF	E	3	3	3	3	3	3	89006-X81LF	E	7	7	7	7	7	7
	D	9	9	9	9	9	9		D	21	21	21	21	21	D		11	11	11	11	11	11	D		4	4	4	4	4	4	D		19	19	19	19	19	D	20		20	20	20	20			
	C	10	10	10	10	10	10		C	9	9	9	9	9	C		11	11	11	11	11	11	C		4	4	4	4	4	4	C		4	4	4	4	4	4	C		7	7	7	7	7	7	
	B	10	10	10	10	10	10		B	21	21	21	21	21	B		11	11	11	11	11	11	B		4	4	4	4	4	4	B		3	3	3	3	3	3	B		20	20	20	20	20	20	
	A	11	11	11	11	11	11		A	9	9	9	9	9	A		21	21	21	21	21	21	A		13	13	13	13	13	13	A		3	3	3	3	3	3	A		7	7	7	7	7	7	

spec ref	*	dr	Terran Huang	2010/07/09	projection		size	A4	scale	1:1	
tolerance std	ISO 406 ISO 1101	eng	Rahul Mohan-M	2021/08/26	chr	-	ecn no	ELX-I-41238-1			
TOLERANCES UNLESS OTHERWISE SPECIFIED		appr	Kuriakose, San	2021/08/26	product family	METRAL	rel level	Released			
surface	3.200 ✓ ISO 1302	0.X	±0.3	Amphenol FCI	METRAL SIGNAL HEADER			dwg no	89006	rev	
	linear	0.XX	±0.13		1 MOD, 5 ROW PRESS-FIT						BS
	angular	0°	±2°		www.fci.com cat. no. -						
Product - Customer Drw							sheet 5 of 10				

A	89006-X85LF	ROW	CONTACT CODE MOD. I	1	2	3	4	5	6	A
	E	7	7	7	7	7	7	7		
	D	7	7	7	7	7	7	7		
	C	6	6	6	6	6	6	6		
	B	7	7	7	7	7	7	7		
2										
B	89006-X86LF	ROW	CONTACT CODE MOD. I	1	2	3	4	5	6	B
	E	5	5	5	5	5	5	5		
	D	5	5	5	5	5	5	5		
	C	5	5	5	5	5	5	5		
	B	5	5	5	5	5	5	5		
3										
C	89006-X87LF	ROW	CONTACT CODE MOD. I	1	2	3	4	5	6	C
	E	7	7	7	7	7	7	7		
	D	20	20	20	20	20	20	20		
	C	8	8	8	8	8	8	8		
	B	7	7	7	7	7	7	7		
4										
D	89006-X88LF	ROW	CONTACT CODE MOD. I	1	2	3	4	5	6	D
	E	14	14	14	14	14	14	14		
	D	17	17	17	17	17	17	17		
	C	6	6	6	6	6	6	6		
	B	17	17	17	17	17	17	17		

spec ref	*	dr	Terran Huang	2010/07/09	projection	MM	size	A4	scale	1:1				
tolerance std	ISO 406 ISO 1101	eng	Rahul Mohan-M	2021/08/26			ecn no	ELX-I-41238-1						
surface	3.200 ✓ ISO 1302	chr	-	-			product family	METRAL						
	linear	appr	Kuriakose, San	2021/08/26	rel level			Released						
	angular	Amphenol FCI www.fci.com			METRAL SIGNAL HEADER 1 MOD, 5 ROW PRESS-FIT			rev 89006 BS						
	0.X										±0.3	Product - Customer Drw		
	0.XX										±0.13			
	0.XXX	±.050	cat. no.											
	0°	±2°												

Creo F114:ELX-FCI:REV F, 2020-12-21

A	METRAL P/N	ROW	CONTACT CODE MOD. I					METRAL P/N	ROW	CONTACT CODE MOD. I					METRAL P/N	ROW	CONTACT CODE MOD. I					METRAL P/N	ROW	CONTACT CODE MOD. I					METRAL P/N	ROW	CONTACT CODE MOD. I													
	89006-X109LF	E	59	59	59	59	59	89006-X113LF	E	6	6	6	6	5	89006-X117LF	E	6	6	6	6	6	89006-X121LF	E	8	6	6	6	6	89006-X125LF	E	6	6	6	6	6	89006-X129LF	E	2	2	2	2	4		
		D	59	59	59	59	59		D	6	6	6	6	6		D	8	6	6	6	6		D	6	6	6	6	6		D	2	2	2	2	4									
		C	59	59	59	59	59		C	6	6	6	6	6		C	6	6	6	6	6		C	20	20	20	20	20		C	2	2	2	2	4									
		B	59	59	59	59	59		B	6	6	6	6	6		B	6	8	6	6	6		B	6	6	6	6	6		B	2	2	2	2	4									
A	7	7	7	7	7	A	6	6	6	6	6	A	6	8	6	6	6	A	6	6	6	6	6	A	2	2	2	2	2															
B	METRAL P/N	ROW	CONTACT CODE MOD. I					METRAL P/N	ROW	CONTACT CODE MOD. I					METRAL P/N	ROW	CONTACT CODE MOD. I					METRAL P/N	ROW	CONTACT CODE MOD. I					METRAL P/N	ROW	CONTACT CODE MOD. I													
	89006-X110LF	E	3	2	2	2	2	89006-X114LF	E	4	2	3	3	2	4	89006-X118LF	E	8	6	6	6	6	89006-X122LF	E	3	3	3	2	2	89006-X126LF	E	2	2	2	4	2	89006-X130LF	E	2	2	2	2	2	
		D	3	2	2	2	2		D	4	2	3	3	2	4		D	8	6	6	6	6		D	2	2	2	2	2		D	2	2	2	4	2		D	4	4	4	4	4	
		C	3	2	2	2	2		C	4	2	3	3	2	4		C	8	6	6	6	6		C	2	2	2	2	2		C	2	2	2	4	2		C	4	4	4	4	4	
		B	3	2	2	2	2		B	4	2	3	3	2	4		B	8	6	6	6	6		B	2	2	2	2	2		B	2	2	2	4	2		B	4	4	4	4	4	
A	3	2	2	2	2	A	4	2	3	3	2	4	A	8	6	6	6	6	A	2	2	2	2	2	A	2	2	2	2	2	A	2	2	2	2	2								
C	METRAL P/N	ROW	CONTACT CODE MOD. I					METRAL P/N	ROW	CONTACT CODE MOD. I					METRAL P/N	ROW	CONTACT CODE MOD. I					METRAL P/N	ROW	CONTACT CODE MOD. I					METRAL P/N	ROW	CONTACT CODE MOD. I													
	89006-X111LF	E	2	2	2	2	3	89006-X115LF	E	2	2	2	1	2	2	89006-X119LF	E	2	2	2	2	2	89006-X123LF	E	2	2	2	2	2	89006-X127LF	E	2	2	4	2	2	89006-X131LF	E	8	6	6	8	6	6
		D	2	2	2	2	3		D	2	2	2	1	2	2		D	2	2	2	2	2		D	2	4	4	2	2		D	8	6	6	8	6		6						
		C	2	2	2	2	3		C	2	2	2	1	2	2		C	1	2	2	2	2		C	19	19	19	19	19		C	2	4	4	2	2		C	8	8	8	8	5	6
		B	2	2	2	2	3		B	2	2	2	1	2	2		B	1	2	2	2	2		B	2	2	2	2	2		B	2	4	4	2	2		B	8	6	6	8	6	6
A	2	2	2	2	3	A	1	2	2	1	2	2	A	1	2	2	2	2	A	2	2	2	2	2	A	2	4	2	2	2	A	8	6	6	8	6	6							
D	METRAL P/N	ROW	CONTACT CODE MOD. I					METRAL P/N	ROW	CONTACT CODE MOD. I					METRAL P/N	ROW	CONTACT CODE MOD. I					METRAL P/N	ROW	CONTACT CODE MOD. I					METRAL P/N	ROW	CONTACT CODE MOD. I													
	89006-X112LF	E	7	6	6	6	6	89006-X116LF	E	5	6	6	6	6	89006-X120LF	E	2	2	2	2	4	89006-X124LF	E	2	2	2	1	2	2	89006-X128LF	E	2	2	2	4	2	89006-X132LF	E	8	6	7	6	6	6
		D	7	6	6	6	6		D	5	6	6	6	6		D	2	2	2	2	4		D	2	2	2	2	2	D		2	2	2	4	2	D		8	6	7	6	6	6	
		C	7	6	6	6	6		C	5	6	6	6	6		C	2	2	2	2	4		C	2	2	2	2	2	C		2	2	2	4	2	C		5	6	6	8	6	6	
		B	7	6	6	6	6		B	5	6	6	6	6		B	2	2	2	2	4		B	2	2	2	2	2	B		2	2	2	4	2	B		8	8	7	8	6	6	
A	7	6	6	6	6	A	5	6	6	6	6	A	2	2	2	2	4	A	2	2	2	2	2	A	2	2	2	4	2	A	8	8	7	8	6	6								

spec ref	*	dr	Terran Huang	2010/07/09	projection	size	A4	scale	1:1
tolerance std	TOLERANCES UNLESS OTHERWISE SPECIFIED	eng	Rahul Mohan-M	2021/08/26		MM	ecn no	ELX-I-41238-1	
ISO 406		chr	-	-				rel level	Released
ISO 1101		appr	Kuriakose, San	2021/08/26	product family	METRAL			rev
surface	3.200	near	0.X	±0.3	METRAL SIGNAL HEADER		dwg no	89006	
			0.XX	±0.13	1 MOD, 5 ROW PRESS-FIT				
			0.XXX	±.050	cat. no.	-	Product - Customer Drw		sheet 7 of 10
		angular	0°	±2°					

89006-X133LF	ROW	CONTACT CODE MOD. I	89006-X137LF	ROW	CONTACT CODE MOD. I	89006-X141LF	ROW	CONTACT CODE MOD. I	89006-X145LF	ROW	CONTACT CODE MOD. I	89006-X149LF	ROW	CONTACT CODE MOD. I	89006-X153LF	ROW	CONTACT CODE MOD. I
	E	2 2 2 2 2 2		E	2 2 2 3 3 2		E	1 1 1 1 3 3		E	5 5 1 1 7 5		E	2 2 2 2 2 1		E	2 2 2 2 2 2
	D	2 2 2 2 2 2		D	2 2 2 3 3 2		D	1 1 1 1 3 3		D	5 5 1 1 7 5		D	2 2 2 2 2 2		D	2 2 2 2 2 2
	C	2 2 2 2 2 2		C	2 2 2 3 3 2		C	3 3 3 3 3 3		C	5 5 1 1 7 7		C	2 2 2 2 2 2		C	2 2 2 2 2 2
	B	2 2 2 2 2 2		B	2 2 2 3 3 2		B	1 1 1 1 3 1		B	5 5 1 1 7 5		B	2 2 2 2 2 2		B	2 2 2 2 2 2
A	2 2 1 2 2 2	A	2 2 2 3 3 2	A	1 1 1 1 3 1	A	5 5 1 1 7 5	A	5 5 1 1 7 5	A	2 2 2 2 2 2	A	4 2 2 2 2 2				
89006-X134LF	ROW	CONTACT CODE MOD. I	89006-X138LF	ROW	CONTACT CODE MOD. I	89006-X142LF	ROW	CONTACT CODE MOD. I	89006-X146LF	ROW	CONTACT CODE MOD. I	89006-X150LF	ROW	CONTACT CODE MOD. I	89006-X154LF	ROW	CONTACT CODE MOD. I
	E	2 2 2 2 2 2		E	2 3 2 2 2 2		E	2 2 2 3 3 3		E	3 2 2 2 2 1		E	2 2 1 2 2 1		E	6 6 6 2 2 6
	D	2 2 2 2 2 2		D	2 3 2 2 2 2		D	2 2 2 3 3 3		D	3 2 2 2 2 1		D	2 1 2 2 2 2		D	6 6 6 2 2 6
	C	2 2 3 3 2 2		C	2 3 2 2 2 2		C	2 2 2 3 3 3		C	3 2 2 2 2 1		C	2 2 1 2 2 2		C	6 6 6 6 6 6
	B	2 2 2 2 2 2		B	2 3 2 2 2 2		B	2 2 2 3 3 3		B	3 2 2 2 2 1		B	2 2 2 2 2 2		B	6 6 6 2 2 6
A	2 2 2 2 2 2	A	2 2 2 2 2 3	A	2 2 2 3 3 3	A	3 2 2 2 2 1	A	3 2 2 2 2 2	A	6 6 6 2 2 6						
89006-X135LF	ROW	CONTACT CODE MOD. I	89006-X139LF	ROW	CONTACT CODE MOD. I	89006-X143LF	ROW	CONTACT CODE MOD. I	89006-X147LF	ROW	CONTACT CODE MOD. I	89006-X151LF	ROW	CONTACT CODE MOD. I	89006-X155LF	ROW	CONTACT CODE MOD. I
	E	2 3 2 2 2 2		E	59 59 11 6 6 11		E	3 1 3 1 3 3		E	1 1 1 1 1 1		E	1 2 2 2 2 2		E	2 2 6 6 6 6
	D	2 3 2 2 2 2		D	59 59 11 6 6 11		D	3 1 3 1 3 3		D	1 1 1 1 1 1		D	2 2 2 2 2 2		D	2 2 6 6 6 6
	C	2 3 2 2 2 2		C	59 59 11 6 6 11		C	3 3 3 1 3 3		C	3 3 3 3 3 3		C	2 2 2 2 2 2		C	6 6 6 6 6 6
	B	2 3 2 2 2 2		B	59 59 11 6 6 11		B	3 1 3 1 3 3		B	1 1 1 1 1 1		B	2 2 2 2 2 2		B	2 2 6 6 6 6
A	2 2 2 2 2 2	A	59 59 11 6 6 11	A	3 1 3 1 3 3	A	1 1 1 1 1 1	A	2 2 2 2 2 2	A	2 2 6 6 6 6						
89006-X136LF	ROW	CONTACT CODE MOD. I	89006-X140LF	ROW	CONTACT CODE MOD. I	89006-X144LF	ROW	CONTACT CODE MOD. I	89006-X148LF	ROW	CONTACT CODE MOD. I	89006-X152LF	ROW	CONTACT CODE MOD. I	89006-X156LF	ROW	CONTACT CODE MOD. I
	E	2 3 2 3 2 2		E	1 1 1 1 1 1		E	7 5 5 5 5 5		E	8 6 6 6 6 6		E	2 2 2 2 2 2		E	3 3 3 4 4 4
	D	2 3 2 3 2 2		D	1 1 1 1 3 1		D	7 5 5 5 5 5		D	8 6 6 6 6 6		D	2 2 2 2 2 2		D	3 3 3 4 4 4
	C	2 3 2 3 2 2		C	1 1 1 1 1 1		C	7 5 5 5 5 5		C	8 6 6 6 5 8		C	2 2 2 2 2 2		C	3 3 3 4 4 4
	B	2 3 2 3 2 2		B	1 1 1 1 1 1		B	7 5 5 5 5 5		B	8 6 6 6 6 6		B	2 2 2 2 2 2		B	3 3 3 4 4 4
A	2 3 2 3 2 2	A	1 1 1 1 1 1	A	7 5 5 5 5 5	A	8 6 6 6 6 6	A	3 3 3 3 3 3	A	3 3 3 4 4 4						

spec ref	*	dr	Terran Huang	2010/07/09	projection	size	A4	scale	1:1
tolerance std	ISO 406 ISO 1101	eng	Rahul Mohan-M	2021/08/26		MM	ecn no	ELX-I-41238-1	
	TOLERANCES UNLESS OTHERWISE SPECIFIED	chr	-	-				rel level	Released
surface	3.200 ✓ ISO 1302	appr	Kuriakose, San	2021/08/26	product family	METRAL			rev
	0.X ±0.3 0.XX ±0.13 0.XXX ±0.050	Amphenol FCI			METRAL SIGNAL HEADER			89006	BS
	angular 0° ±2°	www.fci.com	cat. no.	-	Product - Customer Drw			sheet 8 of 10	

Creo F114:ELX-MC-AAC,REV F,2020-12-21

METRAL P/N	ROW	CONTACT CODE MOD. I					
		1	2	3	4	5	6
89006-X157LF	E	2	2	2	2	2	19
	D	2	2	2	2	2	19
	C	2	2	2	2	2	19
	B	2	2	2	2	2	19
	A	2	2	1	2	2	19

METRAL P/N	ROW	CONTACT CODE MOD. I					
		1	2	3	4	5	6
89006-X158LF	E	19	2	19	2	19	19
	D	19	2	19	2	19	19
	C	19	2	19	2	19	19
	B	19	2	19	2	19	19
	A	19	2	19	2	19	19

METRAL P/N	ROW	CONTACT CODE MOD. I					
		1	2	3	4	5	6
89006-X159LF	E	2	2	2	2	4	19
	D	2	2	2	2	2	19
	C	2	2	2	2	2	19
	B	2	2	2	2	2	19
	A	2	2	1	2	2	19

METRAL P/N	ROW	CONTACT CODE MOD. I					
		1	2	3	4	5	6
89006-X160LF	E	2	2	2	2	2	1
	D	2	2	2	2	2	2
	C	4	4	4	4	4	4
	B	2	2	2	2	2	2
	A	2	2	2	2	2	2

spec ref	*	dr	Terran Huang	2010/07/09	projection 	MM ←————→	size	A4	scale	1:1
tolerance std	TOLERANCES UNLESS OTHERWISE SPECIFIED	eng	Rahul Mohan-M	2021/08/26			ecn no	ELX-I-41238-1		
ISO 406 ISO 1101		chr	-	-			rel level	Released		
surface	3.200 linear	appr	Kuriakose, San	2021/08/26	product family	METRAL	dwg no	89006	rev	BS
	0.X ±0.3									
	0.XX ±0.13									
	0.XXX ±.050									
	angular 0° ±2°	www.fci.com	cat. no.	-	Product - Customer Drw	sheet 9 of 10				

PRODUCT NUMBER

SEE SHEET 1

NOTES:

1. MATERIAL : BODY : LCP UL94-V0
: CONTACT : COPPER ALLOY.
2. FOR PLATING PERFORMANCE REFER DRAWING # 10159408
3. ALL PRODUCTS WITH PART NUMBERS SHOWN IN SUBSEQUENT TABLES WILL BE PACKAGED IN TUBES. IF TRAY PACKAGING IS REQUIRED, A SUFFIX "P" WILL BE ADDED TO THE END OF THE PART NUMBER. EXAMPLE: XXXXX-XXXXP
4. PRODUCT SPECIFICATION GS-12-180
APPLICATION SPECIFICATION BUS-20-073
5. AFTER INSERTION INTO CIRCUIT BOARD WITH QUALIFIED TOOL.
6. THE PRODUCTS WHERE THE PART NUMBER ENDS IN LF MEET THE EUROPEAN UNION DIRECTIVES AND OTHER COUNTRY REGULATIONS AS DESCRIBED IN GS-47-0004.

ALL PRODUCTS WILL WITHSTAND EXPOSURE TO 260°C FOR 60 SECONDS IN A CONVECTION, INFRA-RED OR VAPOR PHASE REFLOW OVEN. Au CONTACT SURFACE OF THE CONTACTS SHALL BE EXPOSED TO A MAXIMUM 140°C FOR NO LONGER THAN 15 SECONDS IN A WAVE SOLDER APPLICATION.

7. A Δ SYMBOL WILL BE NEXT TO ANY DIMENSION, VIEW, OR NOTE WHICH HAS BEEN MODIFIED WITH THE CURRENT DRAWING REVISION.

spec ref *		dr	Terran Huang	2010/07/09	projection 	MM 	size	A4	scale	1:1			
tolerance std		eng	Rahul Mohan-M	2021/08/26			ecn no	ELX-I-41238-1					
ISO 406 ISO 1101		chr	-	-			rel level	Released					
surface 3.200		TOLERANCES UNLESS OTHERWISE SPECIFIED	appr	Kuriakose, San	2021/08/26	product family	METRAL		rev				
ISO 1302	linear		0.X	±0.3	Amphenol FCI	title	METRAL SIGNAL HEADER			dwg no	89006	rev	BS
			0.XX	±0.13			1 MOD, 5 ROW PRESS-FIT						
	angular	0°	±2°	cat. no.			-	Product - Customer Drw					