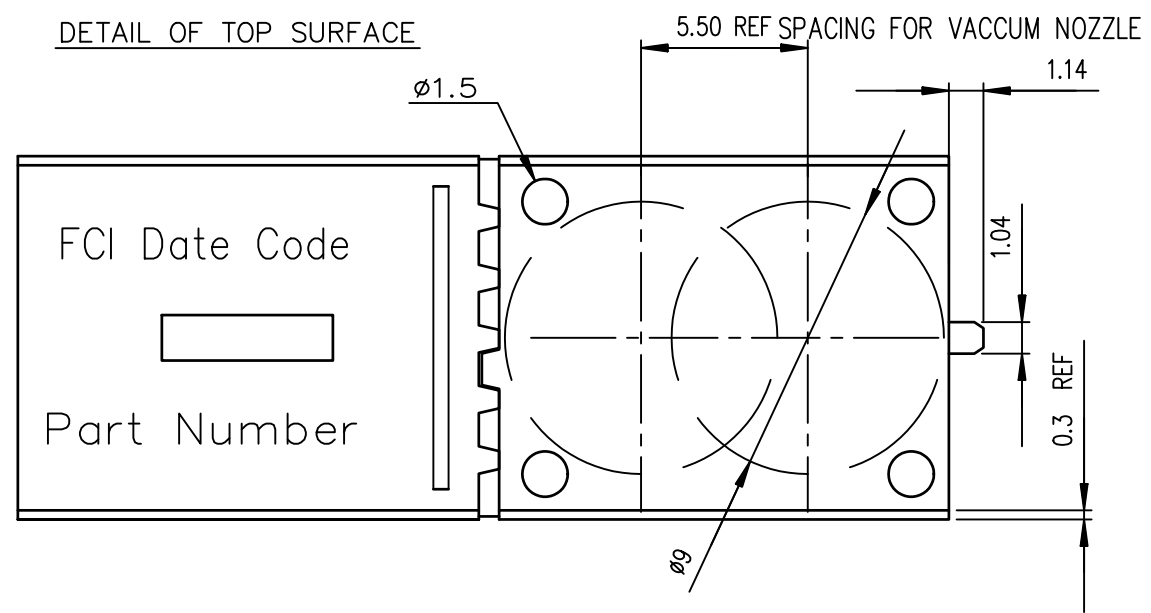
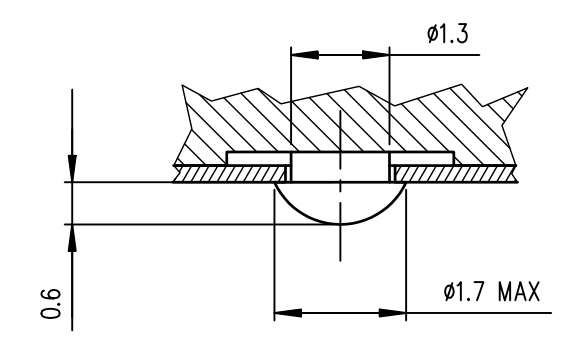


DETAIL OF TOP SURFACE



DETAIL OF CENTRAL HEAT STAKE PEG - SCALE 10/1

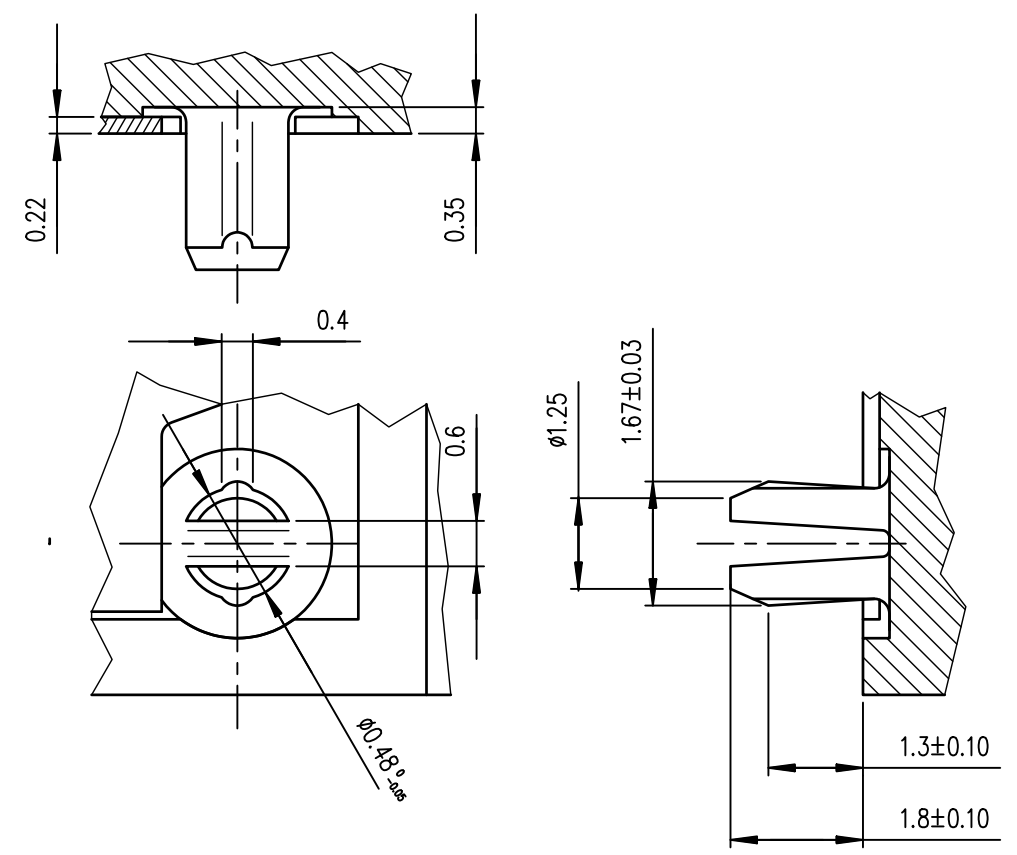
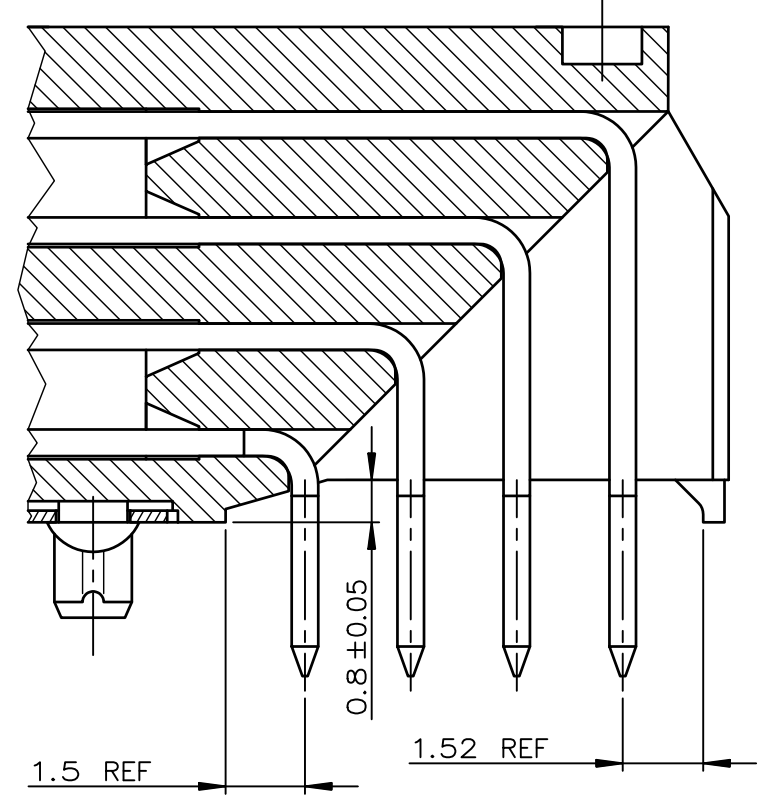


SPECIFIC DATAS: CONTACT LOADING SEE TABLE-1 & 2

TABLE-2

PART NUMBER	ROW	CONTACT CODE CONFIGURATION					
		1	2	3	4	5	6
10114942-X01LF	D	02	02	02	02	02	02
	C	02	02	02	02	02	02
	B	02	02	02	02	02	02
	A	02	02	02	02	02	02

DETAIL OF STAND-OFF SCALE-7/1

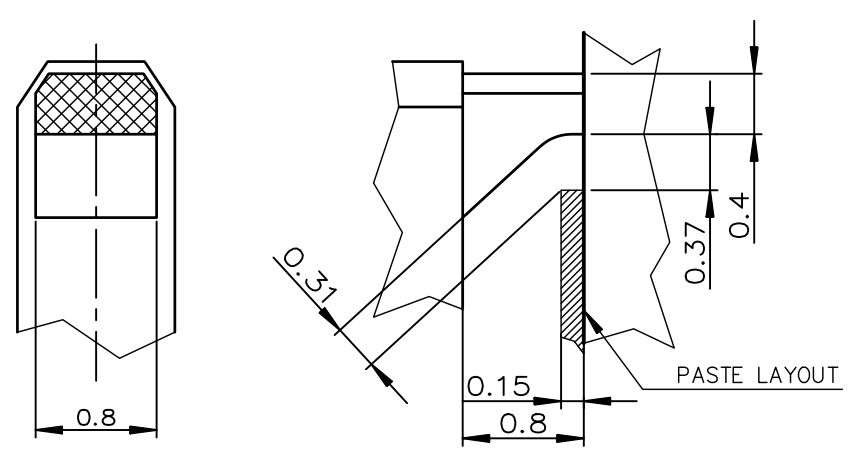


DETAIL OF RETENTION PEGS (2x) SCALE 10/1

CONTACT CODE	
	DIM-P
01	5.00
02	5.75
03	6.50
-	NO CONTACT

TABLE-1

DETAIL OF REAR SUPPORT SCALE-20/1



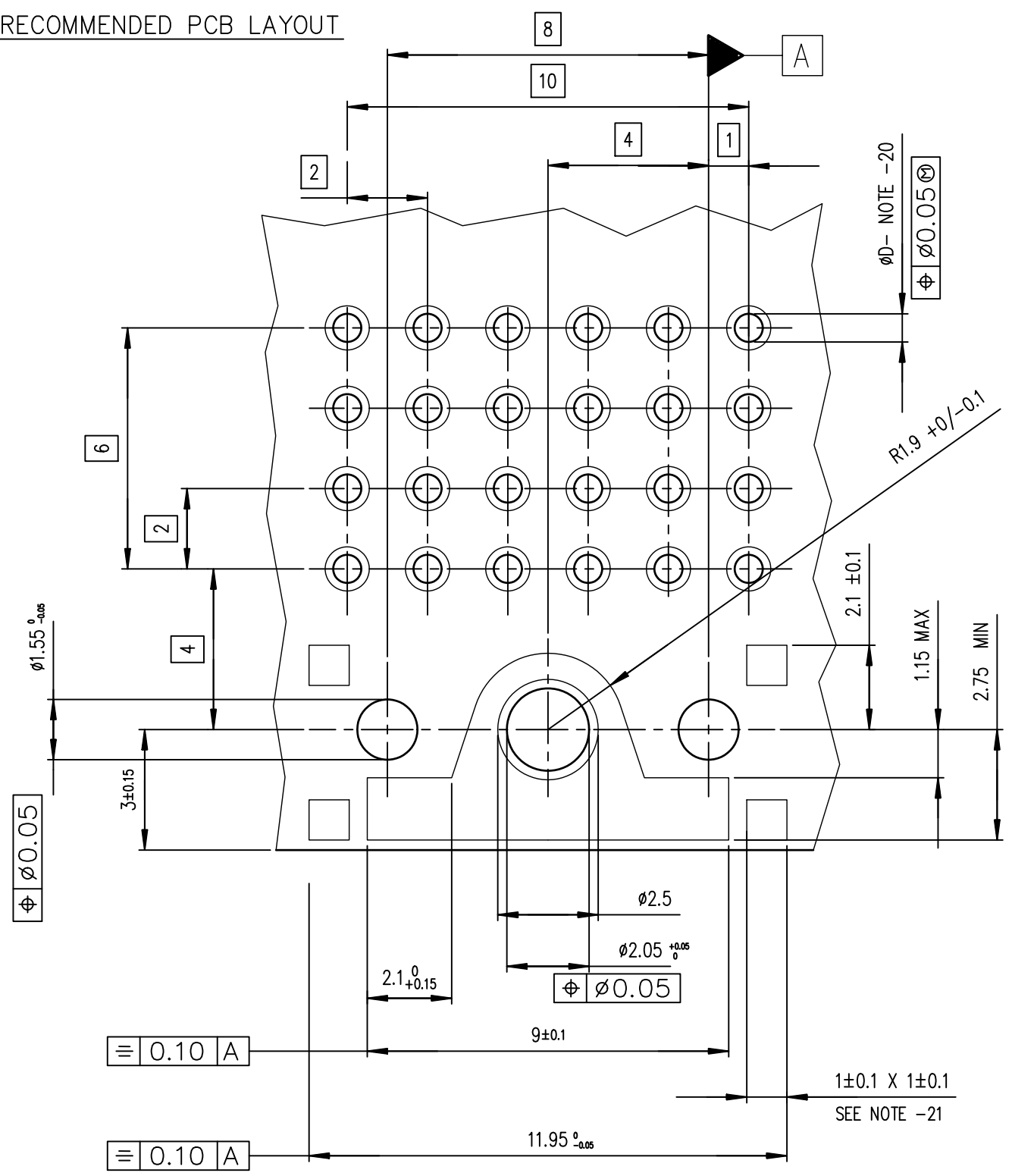
OTHERS INFORMATIONS, SEE DRW 1/-3/-4

mat'l. code		surface		tolerance		projection		product family	
		ISO 1302		ISO 406		ISO 1101		METRAL	
ltr		ecn no		dr		date		title	
A		DG10-0186		CENH		2010-05-21		METRAL RA HEADER PIP CONVERG	
B		ELX-I-38990		MINI		2020-11-17		NB 4x6 - WITH HDF	
				angles		linear		scale	
				0°±2°				mm	
				dr		FETROW		1998-06-09	
				enr		ARUN		2020-11-17	
				chr		ALEX BABU		2020-11-17	
				appd		SANJO		2020-11-17	
sheet index		revision		B		B		B	
		sheet		1		2		3	
				B		B		B	
				1		2		3	

Amphenol FCI

© 2016 AFCl

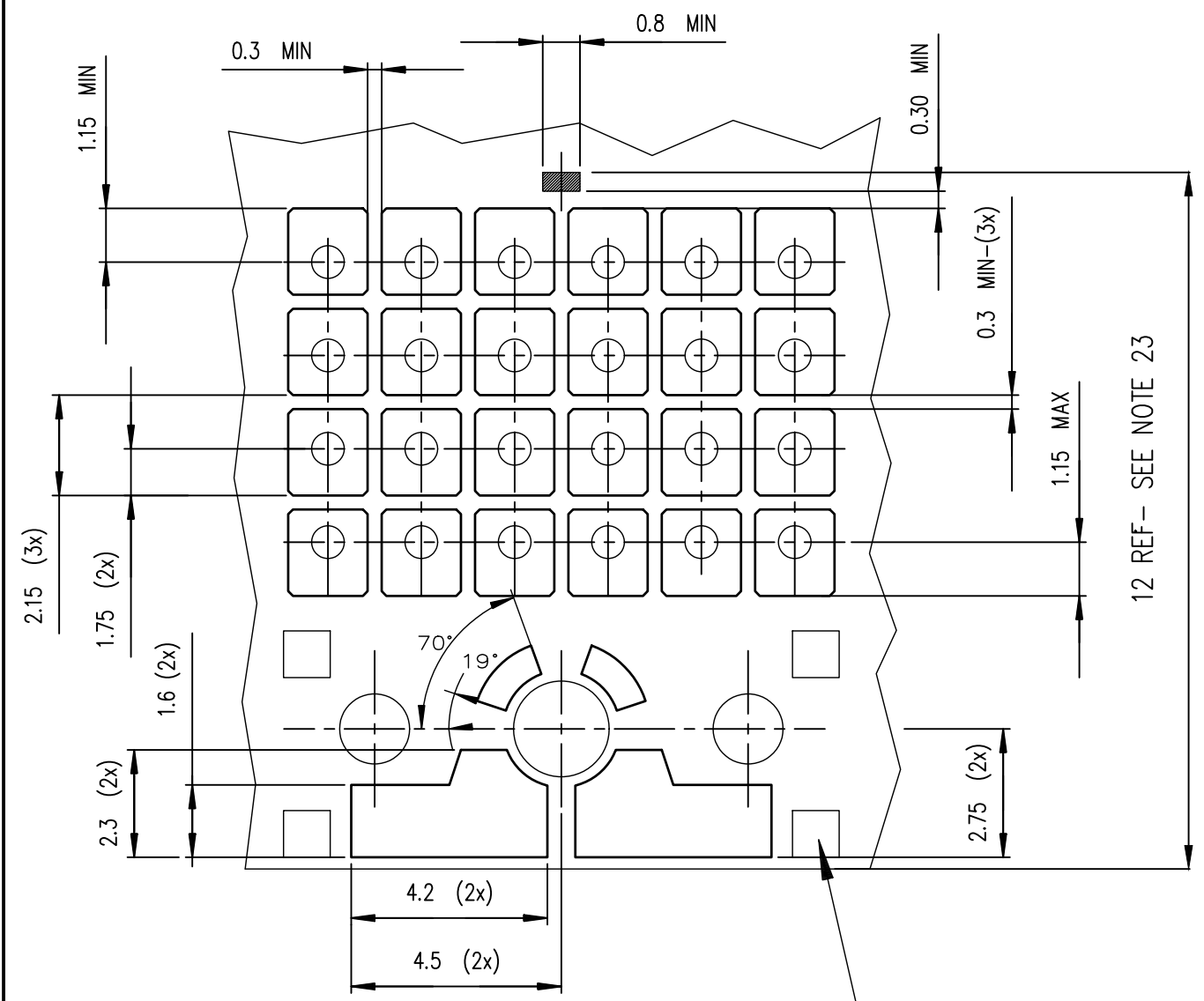
RECOMMENDED PCB LAYOUT



NOTE-20: PTH DIMENSIONS - ϕD
 - DRILL DIAMETER = (0.85 REF) and Plating
 - See Product Spec : GS-12-446

NOTE-21: 4 SQUARE REFERENCE PADS
 NOTE-22: NO PASTE ALLOWED ON 4 REFERENCE PADS
 NOTE-23: PRODUCT REAR SUPPORT LOCATION
 NOTE-24: RECOMMENDED PASTE THICKNESS = 0.15

RECOMMENDED STENCIL LAYOUT



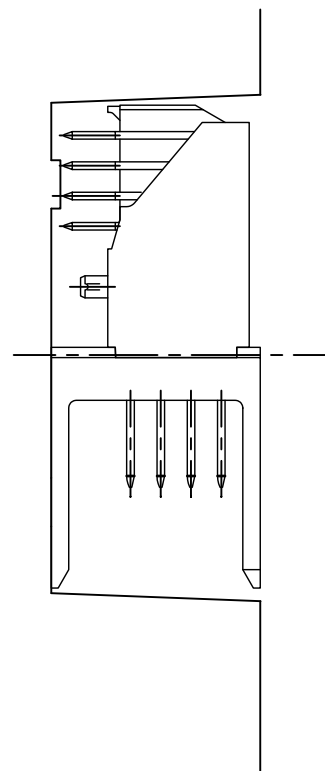
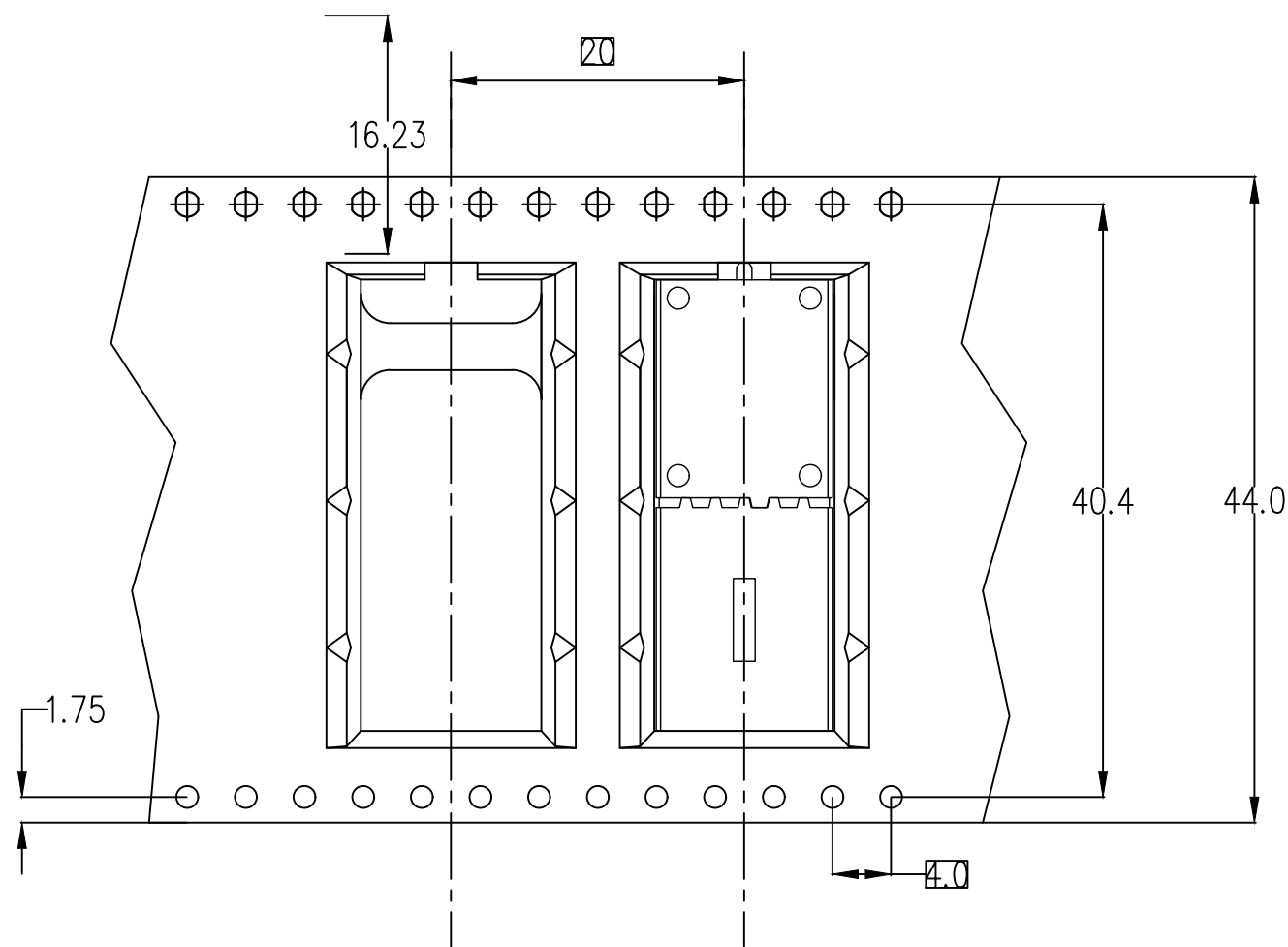
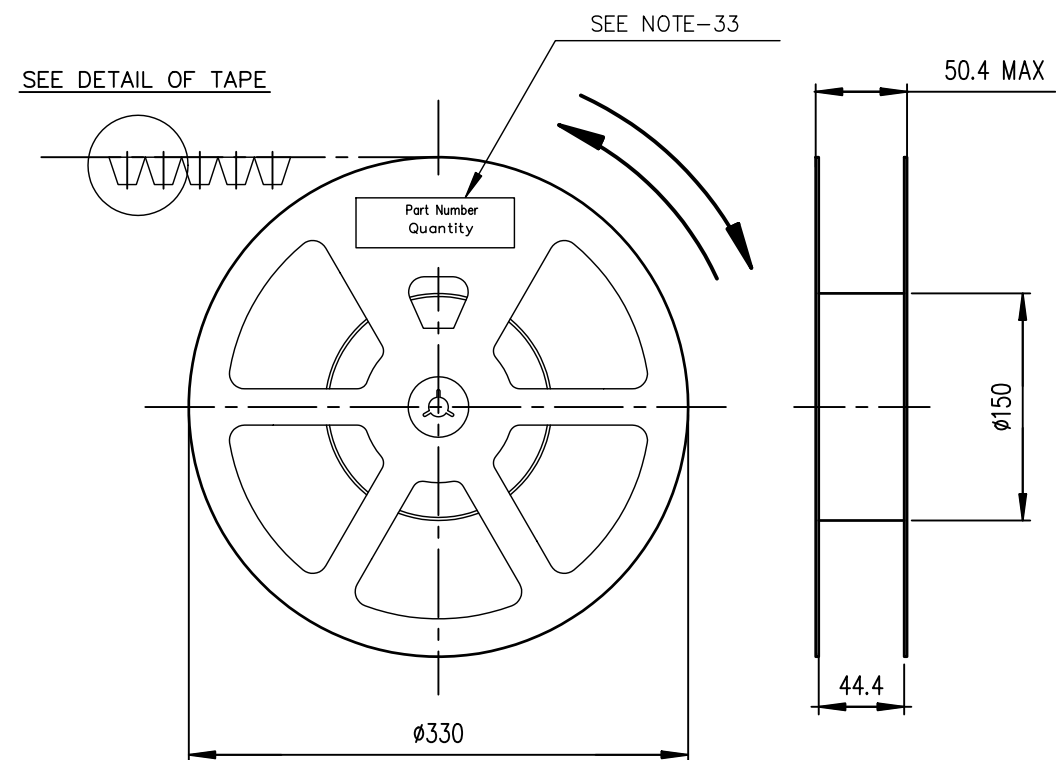
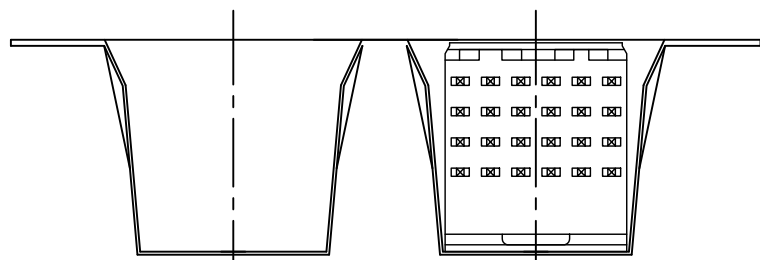
SEE NOTE-22

OTHERS INFORMATIONS, SEE DRW SHEET 1/2/4

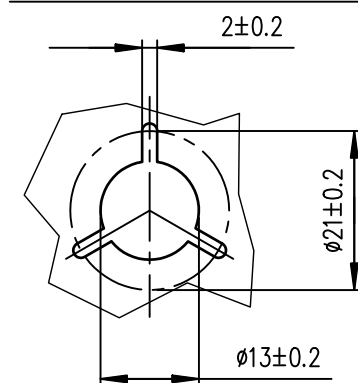
mat'l. code		surface		tolerance		projection		product family	
		ISO 1302		ISO 406		ISO 1101		METRAL	
ltr		ecn no		dr		date		title	
A		DG10-0186		CENH		2010-05-21		METRAL RA HEADER PIP CONVERG	
B		ELX-I-38990		MINI		2020-11-17		NB 4x6 - WITH HDF	
								dwg no	
								sheet 3 of 4	
								size	
								A3	
								type	
								Product Customer Drawing	
sheet index		revision		B		B			
				1		2			
				3		4			

PACKAGING SPECIFICATION

DETAIL OF REEL SCALE 1/5



DETAIL OF REEL HUB SCALE 1/1



NOTE-30: REF SPECIFICATION: EIA-481-B

NOTE-31: TAPE MATERIAL: PVC ANTISTATIC

SURFACE RESISTIVITY 10^{12} OHMS/SQUARE AFTER HEAT FORMING

CARRIER P/N: 10097632-006 COVER TAPE P/N:10097632-007

NOTE-32: PACKAGING QTY: PACKAGING MATERIAL DETAIL INFORMATION PLEASE REFER TO DRAWING OF 10097632

- QTY PER REEL(P/N:10097632-005) = 120 PCS

- QTY PER BOX (P/N:10097632-004) = 6 REELS = 720 PCS

NOTE-33: LABEL FOR IDENTIFICATION: PART NUMBER,DATE-CODE,TRACABILITY INFORMATIONS

NOTE-34: RECYCLABLE MATERIAL FOR REEL + ANTISTATIC TREATMENT

mat'l. code		surface	tolerance	projection	product family
		ISO 1302	ISO 406 ISO 1101		METRAL
ltr	ecn no	dr	date	title	
A	DG10-0186	CENH	2010-05-21	METRAL RA HEADER PIP CONVERG	
B	ELX-I-38990	MINI	2020-11-17	NB 4x6 - WITH HDF	
		dr	FETROW	1998-06-09	sheet 4 of 4
		engr	ARUN	2020-11-17	size
		chr	ALEX BABU	2020-11-17	A3
		appd	SANOJ	2020-11-17	type
		Product Customer Drawing			
sheet index	revision sheet	B 1	B 2	B 3	B 4

Amphenol FCI

© 2016 AFCl