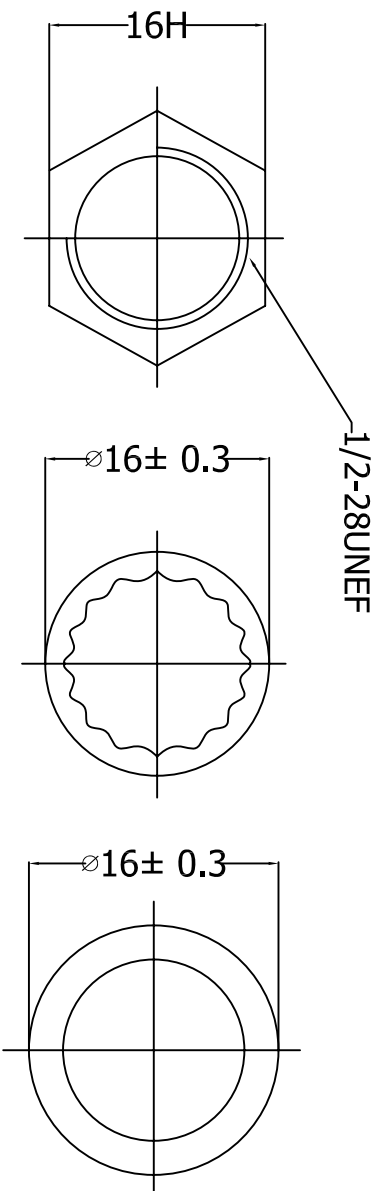


	58/U	59/U	6/U	174/U
A	∅4.5	∅5.5	∅6.8	∅3.8
B	∅3.1	∅3.9	∅4.9	∅2.8
C	∅6.3	∅7.3	∅8.5	∅5.1
D	∅5.5	∅6.5	∅7.5	∅4.5
E	12.7	12.7	12.7	10



P/NO.:	NCT-0213	
CUSTOMER:	CHIP & DIP	
CUST. P/N.:	GT-213	
APP.	Eric	UNITS
CHK.	Carmen	DATE
DRAW.	Christna	SHEET
DATE	2008/12/24	1/1

NEW CENTRESS
INTERNATIONAL CO., LTD.

DES.: TNC FEMALE PANEL CRIMP TYPE
DRAW NO.: NCT-0213

1.0	NEW DRAWING
VER.NO.	DESCRIPTION

2008/12/24

DATE

2008/12/24

DATE

1/1

VER

1.0