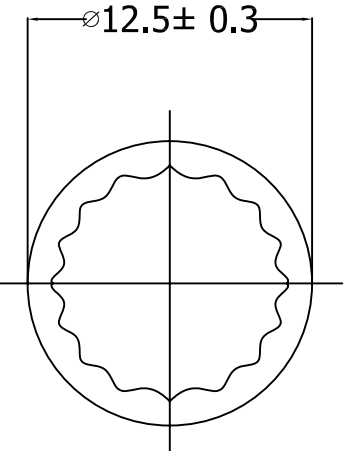
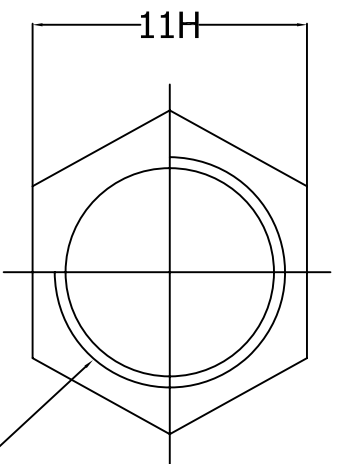


1/4-36UNEF

3/8-32UNEF

1/4-36UNEF



3/8-32UNEF

1.0	NEW DRAWING	2008/12/24	P/NO.: <b>NCSA-1113</b> CUSTOMER: CHIP & DIP CUST. P/N.: GSA-1113		<b>NEW CENTRESS</b> <b>INTERNATIONAL CO., LTD.</b>
VER.NO.	DESCRIPTION	DATE	APP. Eric CHK. Carmen DRAW. Christina	UNITS m/m DATE 2008/12/24 SHEET 1/1	
			DES: SMA DOUBLE FEMALE BULKHEAD	DRAW NO.: NCSA-1113	