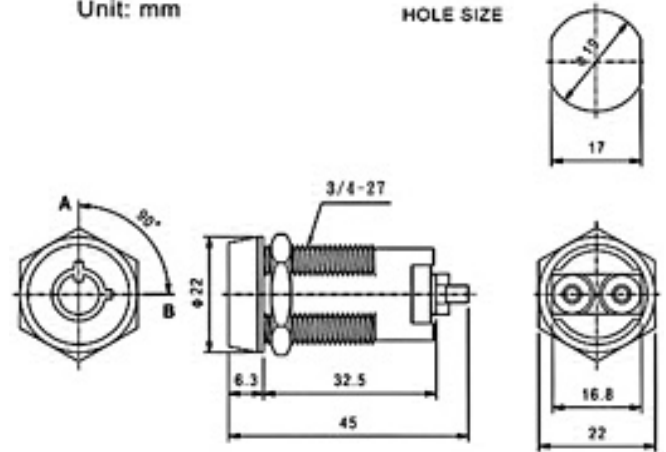


S202Z



Unit: mm

HOLE SIZE



DESCRIPTION:

Zinc alloy die cast housing and cylinder.

Bright chrome plated standard.

7 pin tumbler mechanism.

Steel made tubular keys, nickel plated.

Key may be withdrawn in one or both positions.

Silver plated contacts and terminals.

S202Z 2 position (off-on) 2 tubular terminals.

S202ZA 2 position (off-on) 2 tubular terminals,
spring loaded for momentary contact.

Hex nut mounted.

All keyed alike or one combination per 100pcs standard.

10000 combinations available.

SPECIFICATIONS:

Contact Rating: 4A 125VAC, 2A 250VAC.

Contact resistance: 10 Milli - Ohms Max.

Insulation Resistance: 500 Meg - Ohms Min. (500VDC)

Dielectric Strength: 1500VAC - 1 Minute.

KEY-PULL FIGURES :

○ -Off Position

■ -Indicates Key-Pull

● -Indicates No Key-Pull



Fig.1



Fig.2

Fig. No.	Lock Number	Pole	Positions	Terminals	Key Pulls	Turn	↑	→	Type
1	S202Z-1	1	2	2	1	90 °	Off	On	SPST
2	S202Z-2	1	2	2	2	90 °	Off	On	SPST
1	S202ZA	1	2	2	1	90 °	Off	(On)	SPST

*():Momentary Contact