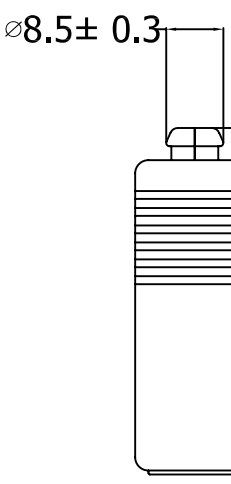
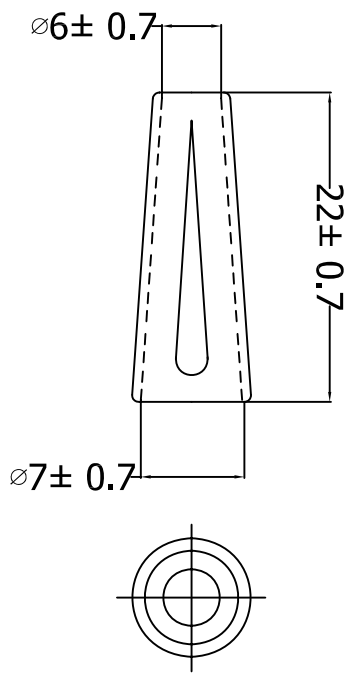
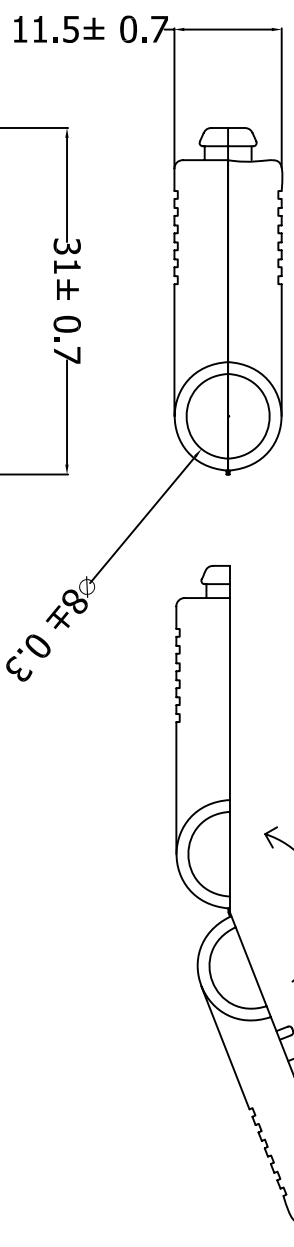


5/8-24UNEF



1.0	NEW DRAWING	2008/12/24	P/NO.: <b>NCS-1424</b> CUSTOMER: CHIP & DIP CUST. P/N.: GS-1424		<b>NEW CENTRESS</b> <b>INTERNATIONAL CO., LTD.</b>
VER.NO.	DESCRIPTION	DATE	APP.	UNITS	
			Eric	m/m	
		2008/12/24	CHK. Carmen	DATE 2008/12/24	DES.: RIGHT ANGLE UHF MALE
			DRAW. Christina	SHEET 1/1	DRAW NO.: NCS-1424
					VER 1.0