

4

3

2

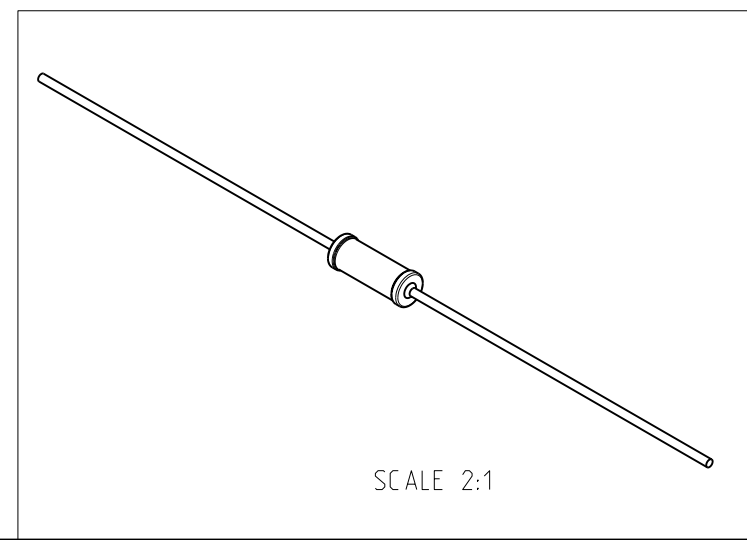
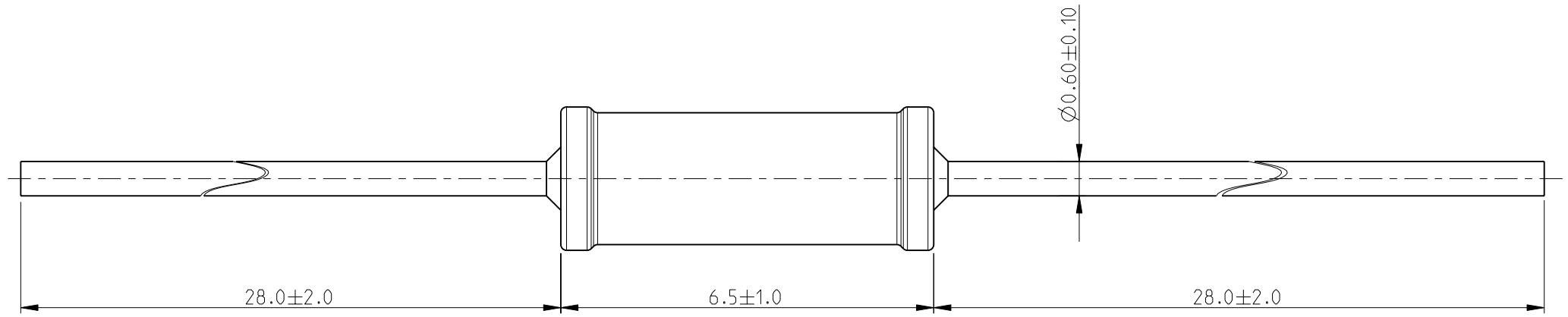
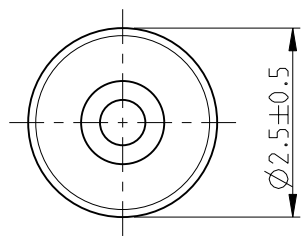
1


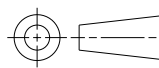
THIS DRAWING IS UNPUBLISHED. RELEASED FOR PUBLICATION 2008

© COPYRIGHT 2008 ALL RIGHTS RESERVED.

LOC	DIST	REVISIONS			
P	LTR	DESCRIPTION	DATE	DWN	APVD
	BA1	REVISED PER ECO-11-005150	29MAR2011	RK	HMR

FOR FURTHER INFORMATION SEE DATA SHEET FOR
SERIES RGP- METAL GLAZE FIXED RESISTORS



THIS DRAWING IS A CONTROLLED DOCUMENT.		DWN	22-DEC-08		 TE Connectivity				
DIMENSIONS:		CHK	22-DEC-08						
mm		APVD	22-DEC-08						
		NAME	STEPHEN.P						
TOLERANCES UNLESS OTHERWISE SPECIFIED:		PRODUCT SPEC	-		METAL GLAZE FIXED RESISTORS STYLE RGP0207CH				
0 PLC	± 0.2	APPLICATION SPEC	-		SIZE	CAGE CODE	DRAWING NO	RESTRICTED TO	
1 PLC	± 0.1	WEIGHT	-		A3	00779	1623708	-	
2 PLC	± -	CUSTOMER DRAWING		SCALE	10:1	SHEET	1 OF 1	REV	BA1
3 PLC	± -								
4 PLC	± -								
ANGLES	± 5°								
MATERIAL	-								
FINISH	-								

Mouser Electronics

Authorized Distributor

Click to View Pricing, Inventory, Delivery & Lifecycle Information:

[TE Connectivity:](#)

[RGP0207CHJ10M](#)