

LOC
E

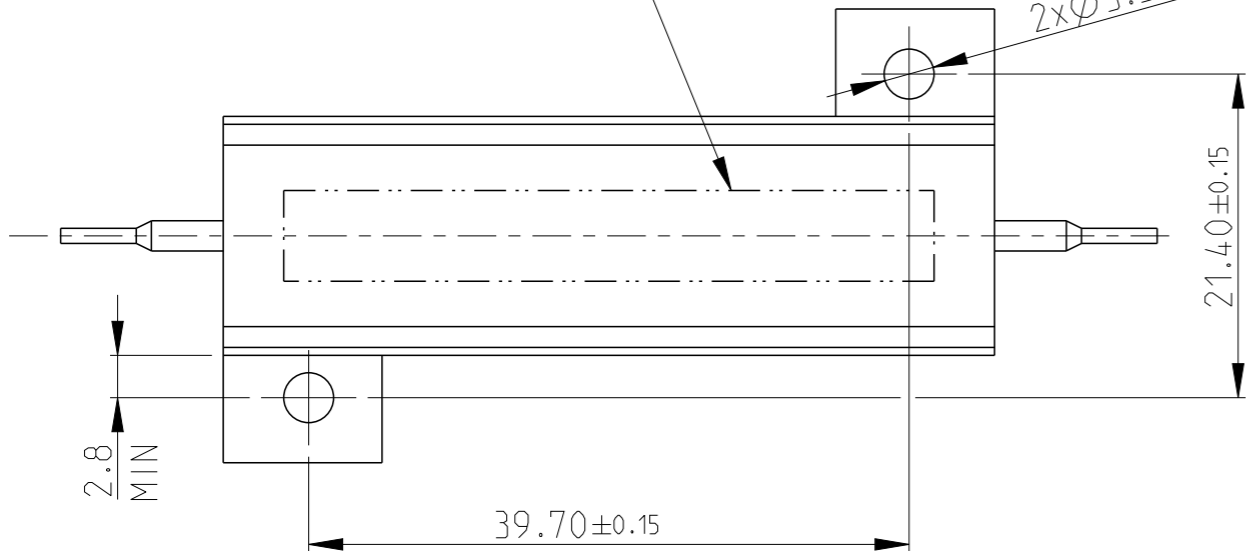
DIST
B

REVISIONS

P	LTR	DESCRIPTION	DATE	DWN	APVD
B2		REVISED PER ECO-11-005150	29MAR2011	RK	HMR
L		ECR-16-003725	12MAR2016	KR	TN

LASER MARKING: TE LOGO PN VALUE
TOLERANCE & DATE CODE

2x $\varnothing 3.3 \pm 0.2$ HOLES



- 1 FOR FURTHER INFORMATION SEE DATA SHEET FOR HS SERIES-ALUMINIUM HOUSED RESISTORS
- 2 FOR A SPECIFIC PN FOR A RESISTANCE VALUE AND TOLERANCE, PLEASE REFER TO DMF
- 3 TECHNICAL SPECIFICATION

DISSIPATION AT 25°C : 50 WATTS MOUNTED ON STANDARD HEATSINK

BS OHMIC RANGE : R051 TO 72K

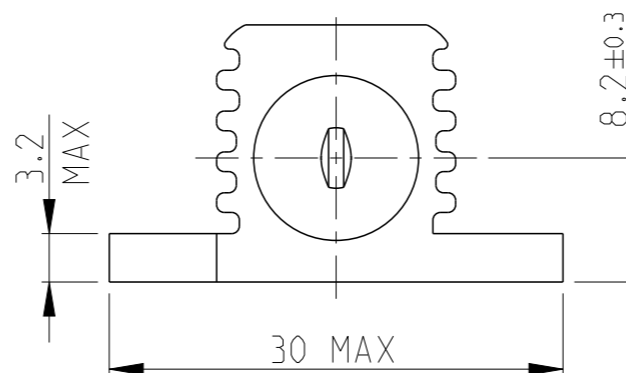
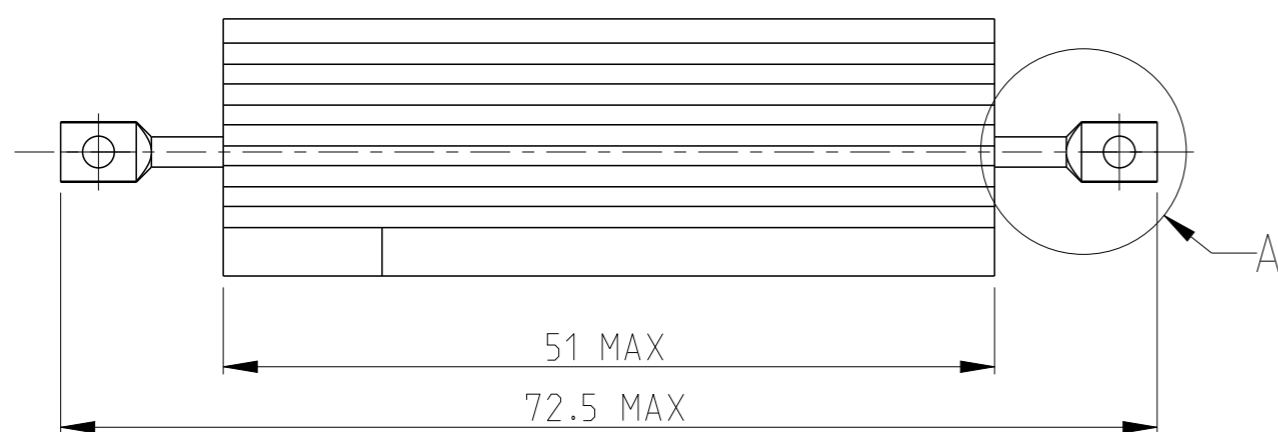
STABILITY : $\Delta R < = 1\%$ PER 1000Hrs

ISOLATION VOLTAGE : 2500V DC/AC pk

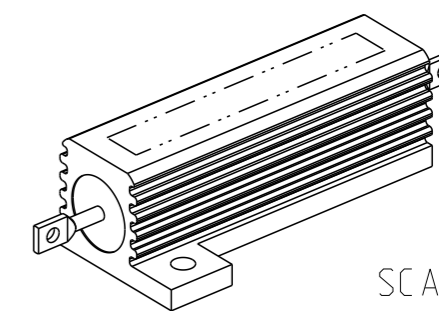
MAX WORKING VOLTAGE : 1250V DC/AC rms

TEMP COEFFICIENT : > 1R0 50ppm
> 100R 25ppm

CLIMATIC CATEGORY : 55/200/56

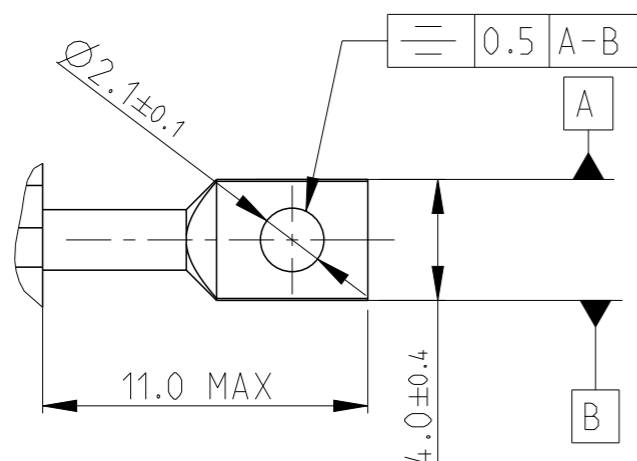


RoHS Compliant



SCALE 1:1

DETAIL A
SCALE 4:1



THIS DRAWING IS A CONTROLLED DOCUMENT.

DIMENSIONS:	TOLERANCES UNLESS OTHERWISE SPECIFIED:
mm	
	0 PLC ±0.5
	1 PLC ±0.2
	2 PLC ±0.1
	3 PLC ±
	4 PLC ±
	ANGLES ±5°
MATERIAL	FINISH
-	-

DWN	22.SEP.05
DAVE KENNEDY	
CHK	23.SEP.05
J CATCHPOLE	
APVD	23.SEP.05
J CATCHPOLE	
PRODUCT SPEC	
APPLICATION SPEC	
WEIGHT	-
CUSTOMER DRAWING	

		TE Connectivity	
NAME HSA50 WIDE BORE			
SIZE	CAGE CODE	DRAWING NO	RESTRICTED TO
A3	00779	C=1625984	-
SCALE 3:1		SHEET 1 OF 1	REV L

Mouser Electronics

Authorized Distributor

Click to View Pricing, Inventory, Delivery & Lifecycle Information:

[TE Connectivity:](#)

[HSA5047KJ](#)