

| REVISIONS |                                       |        |          |
|-----------|---------------------------------------|--------|----------|
| LTR       | DESCRIPTION                           | DATE   | APPVD    |
| G         | (CL11) SEE CHANGE NOTICE<br>ECN:C3955 | 9/1/16 | Prescott |

# AC THREADED SERIES

AC C L 06 AF 18-1 S X (025)  
 1 2 3 4 5 6 7 8 9

|                      |   |
|----------------------|---|
| <b>1</b>             |   |
| <b>SERIES</b>        |   |
| AC                   | AMPHENOL INDUSTRIAL CONNECTORS              |
| <b>2</b>             |   |
| <b>CONTACT STYLE</b> |   |
| C                    | CRIMP CONTACTS                              |
| S                    | SOLDER CONTACTS                             |
| <b>3</b>             |   |
| <b>MODIFIER</b>      |   |
| L                    | LOW SMOKE ZERO HALOGEN INSERTS AND GROMMETS |
| <b>4</b>             |   |
| <b>SHELL STYLE</b>   |   |
| 00                   | WALL MOUNT RECEPTACLE                       |
| 01                   | IN LINE RECEPTACLE                          |
| 02                   | BOX MOUNT RECEPTACLE                        |
| 04                   | 01 LESS BACK HARDWARE                       |
| 05                   | 06 LESS BACK HARDWARE                       |
| 06                   | STRAIGHT PLUG                               |
| 08                   | 90° ANGLE PLUG                              |

|              |   |
|--------------|---|
| <b>5</b>     |   |
| <b>CLASS</b> |   |
| A            | GENERAL DUTY  |
| E            | ENVIRONMENTAL / WIRE BUNDLE   |
| F            | ENVIRONMENTAL / WIRE BUNDLE   |
| R            | ENVIRONMENTAL WITH GT R CLASS ADAPTER COMPRESSION SLEEVE AND GROMMET.                     |
| AD           | GENERAL DUTY  |
| AF           | GENERAL DUTY  |
| CF           | ADAPTER, JACKETED CABLE CLAMP, ENVIRONMENTAL  |
| LCFZ         | LONG ADAPTER, INDIVIDUAL WIRE SEALING GROMMET, JACKETED CABLE CLAMP, ENVIRONMENTAL        |
| PG           | ENVIRONMENTAL / JACKETED CABLE  |
| SB           | ADAPTER, BACKSHELL FOR SHIELD BRAID & HEAT SHRINK/BOOT, INDIV WIRE GROMMET, ENVIRONMENTAL |

|                                     |                             |
|-------------------------------------|-----------------------------|
| <b>6</b>                            |                             |
| <b>SHELL SIZE &amp; ARRANGEMENT</b> |                             |
| SEE L-11908/48-( )                  |                             |
| <b>7</b>                            |                             |
| <b>CONTACT GENDER</b>               |                             |
| P                                   | PIN CONTACT                 |
| S                                   | SOCKET CONTACT              |
| R                                   | RADSOK SOCKET               |
| <b>8</b>                            |                             |
| <b>ALTERNATE ROTATIONS</b>          |                             |
| W                                   | SEE DRAWING<br>10-74800/899 |
| X                                   |                             |
| Y                                   |                             |
| Z                                   |                             |
| <b>9</b>                            |                             |
| <b>VARIATIONS</b>                   |                             |
| (003)                               | OLIVE DRAB CADMIUM PLATE    |
| (023)                               | ELECTROLESS NICKEL PLATE    |
| (024)                               | GREEN ZINC ALLOY PLATE      |
| (025)                               | BLACK ZINC ALLOY PLATE      |
| (B30)                               | GOLD PLATED CONTACTS        |
| (G96)                               | BLACK ANODIZE HARD COAT     |
| (L/C)                               | LESS CONTACTS               |

|                          |       |
|--------------------------|-------|
| <b>TABLE OF CONTENTS</b> |       |
| SHELL STYLE              | PAGES |
| AC()00                   | 2-4   |
| AC()01                   | 5-7   |
| AC()02                   | 8-9   |
| AC()04                   | 10-11 |
| AC()06                   | 12-15 |
| AC()08                   | 16-18 |
| NOTES                    | 19    |
| AN, MS DETAILS           | 20    |

SEE SHEET 19

**NOTES:**

THE USE OF THIS DOCUMENT IS UNLIMITED. HOWEVER, DOCUMENTS REFERENCED HEREON MAY CONTAIN LIMITED RIGHTS DATA.

N/A

N/A

NEXT ASSEMBLY

| UNLESS OTHERWISE SPECIFIED  | SPECIFICATIONS            | POS                 | QTY       | PART NUMBER  | DESCRIPTION                                | NOTE |
|---|---------------------------|---------------------|-----------|--------------|--|------|
| LINEAR DIMENSIONS ARE IN INCHES<br>TOLERANCES:<br>.XXXX = ±.0005<br>.XXX = ±.010<br>.XX = ±.03<br>.X = ±.1<br>ANGLES = ±2°<br>OTHER STANDARDS PER 9-3800 AND DOD-D-1000<br>THIRD ANGLE PROJECTION | MATERIAL SPEC.            | APPROVALS           |           | DATE         | PARTS LIST                                 |      |
|   | N/A                       | PREPARED            | OLEKSIK   | 24-Jun-97    | AMPHENOL CORPORATION<br>SIDNEY, N.Y. 13838 |      |
|   |                           | CHECKED             | DEMATTEO  | 12/22/97     | AC THREADED SERIES                         |      |
|   |                           | MATERIAL            |           |              |  |      |
|   | PROCESS SPEC.             | APPROVED            | OLEKSIK   | 12/23/97     |  |      |
|   | SEE NOTES 6 AND 7, 9-9306 | APPROVED            | GALLUSSER | 12/23/97     |  |      |
|   |                           | PRO/ENG INFORMATION |           |              |  |      |
|   |                           | ACSERIESPGI         |           |              |  |      |
|   |                           | SIZE                | FSCM NO.  | DOCUMENT NO. | REV.                                       |      |
|   |                           | C                   | 77820     | AC SERIES    | G  |      |
|   |                           | SCALE: NONE         | REF:      | N/A          | SHEET 1 OF 20                              |      |

FAMCODES|DATA3:ACX TNS|CICS: 1495

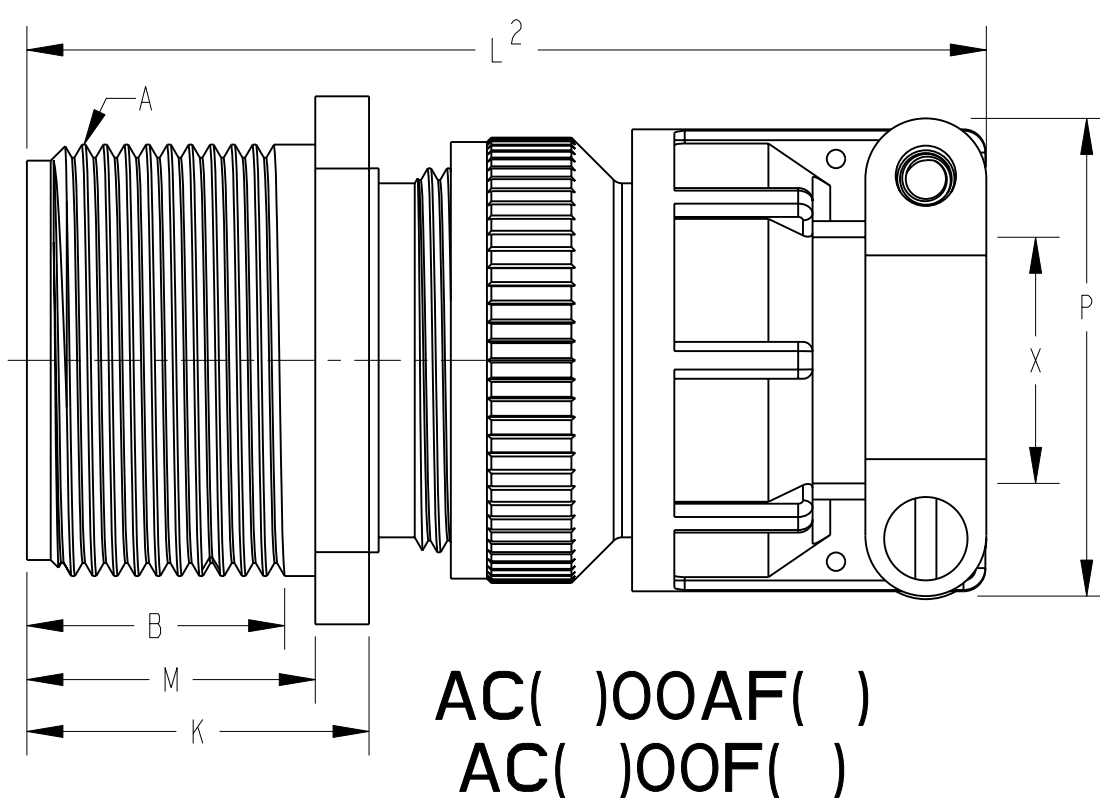
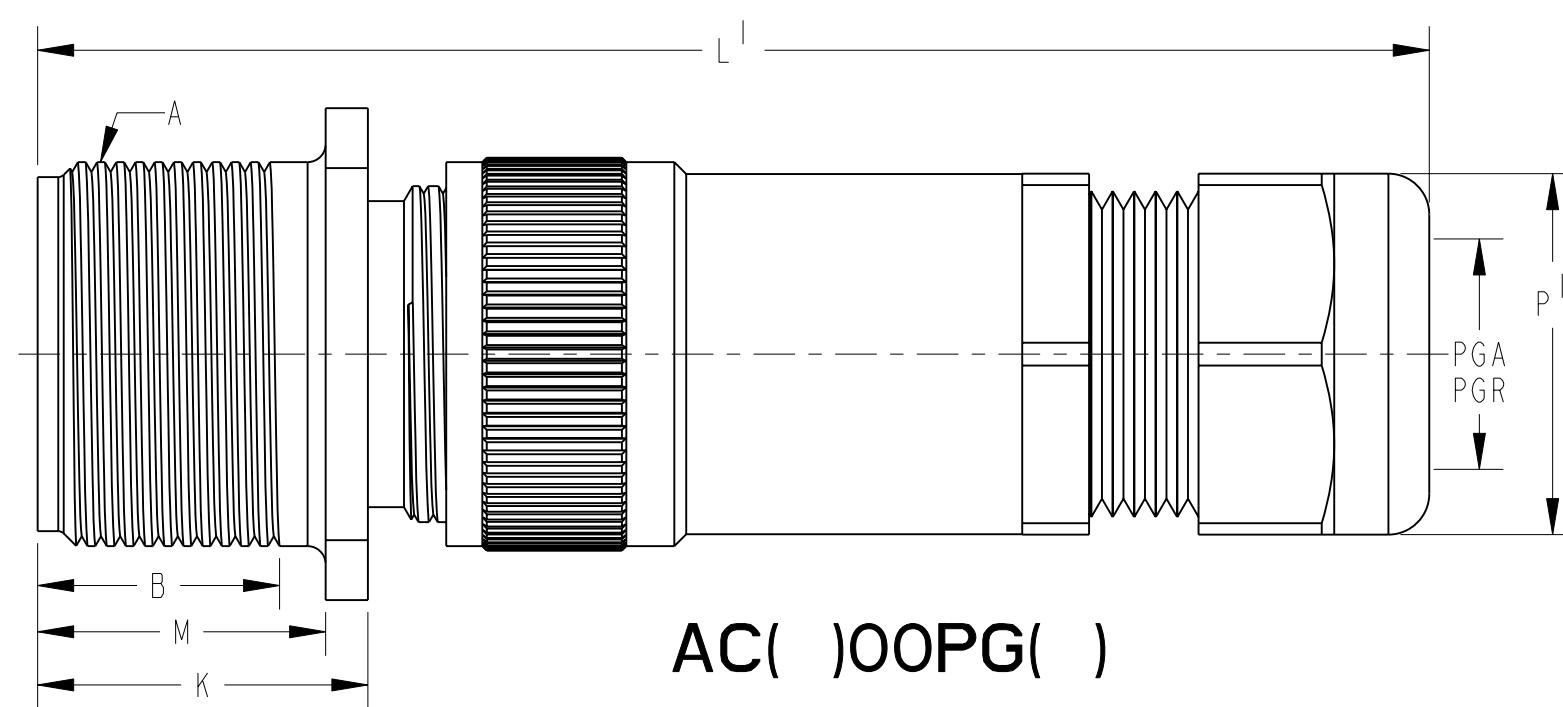
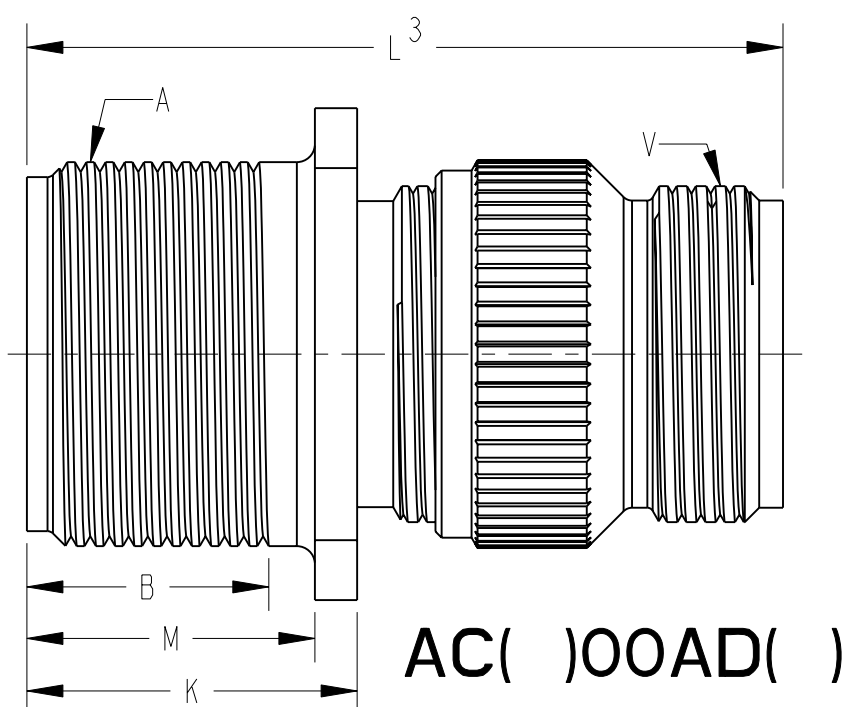
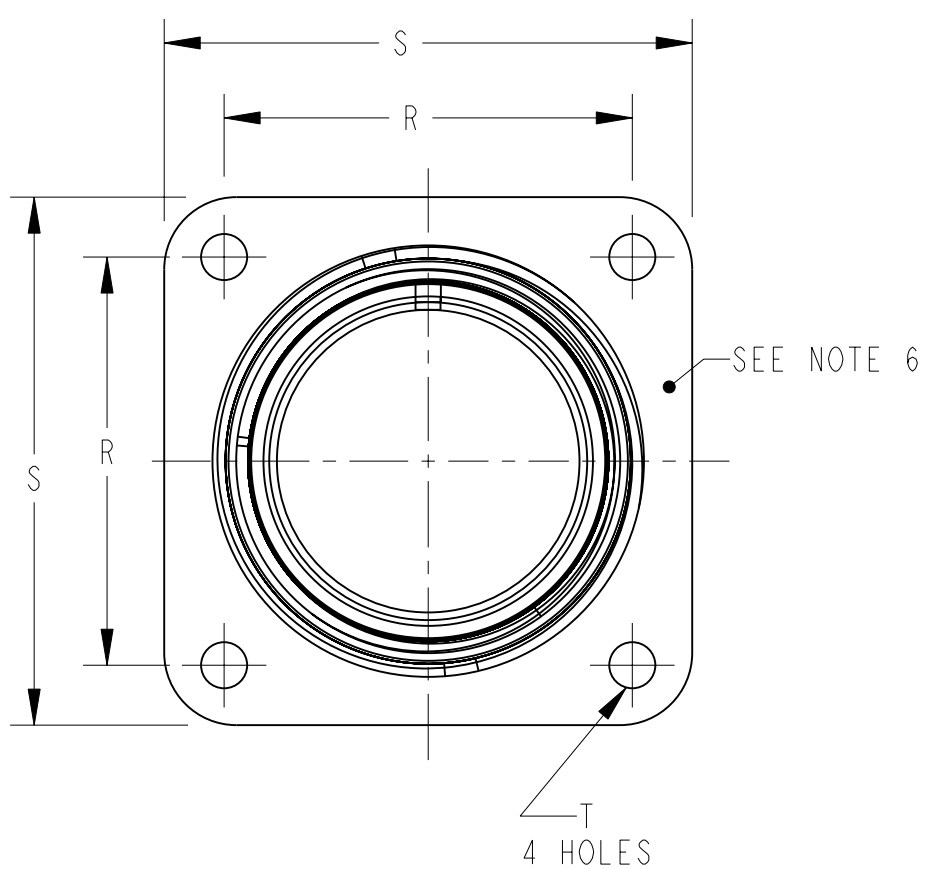
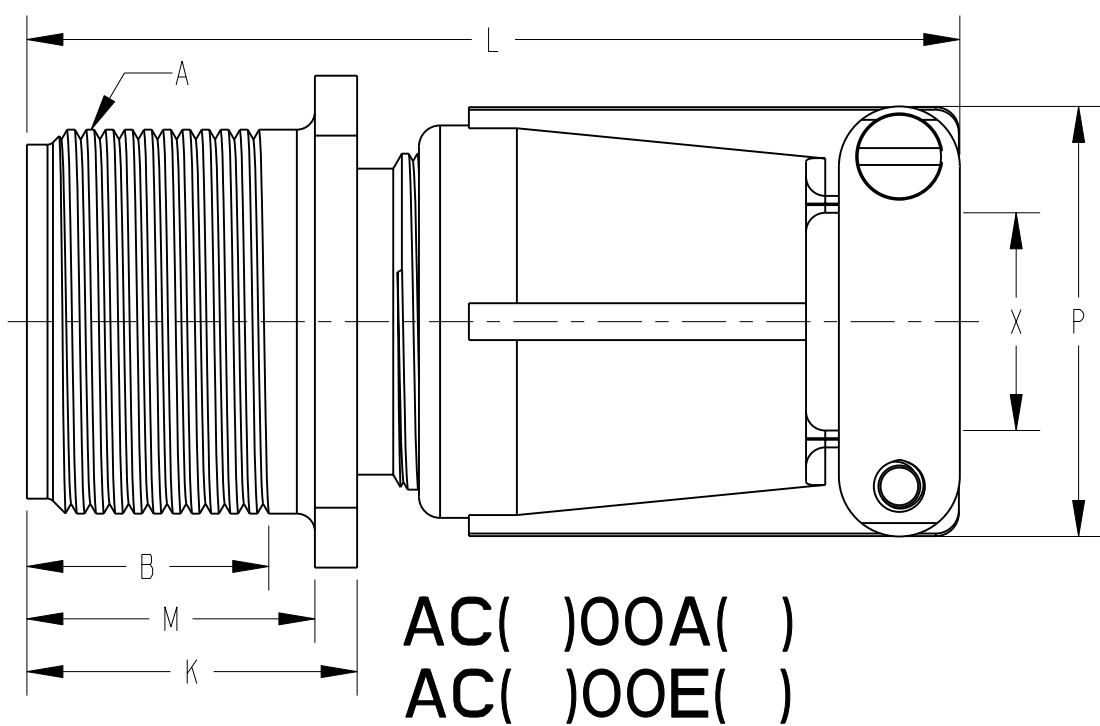
AC SERIES

1 OF 19

U

TAB.

# AC( )00( )



SEE SHEET 19.

**NOTES:**

THE USE OF THIS DOCUMENT IS UNLIMITED.  
HOWEVER, DOCUMENTS REFERENCED HEREON  
MAY CONTAIN LIMITED RIGHTS DATA.

|                  |                          |                                  |                  |
|------------------|--------------------------|----------------------------------|------------------|
| SIZE<br><b>C</b> | FSCM NO.<br><b>77820</b> | DOCUMENT NO.<br><b>AC SERIES</b> | REV.<br><b>G</b> |
| SCALE: NONE      | REF: N/A                 | SHEET 2 OF 20                    |                  |

UIC NO  
 SH 2 OF 19  
 AC SERIES

# AC( )00( )

| SHELL SIZE | A<br>THREAD<br>CLASS 2A | B<br>MIN.<br>FULL<br>THREAD | K<br>+.020<br>-.010 | L<br>MAX | L <sup>1</sup><br>MAX | L <sup>2</sup><br>MAX | L <sup>3</sup><br>MAX | M<br>+.010<br>-.000 | P<br>MAX | P <sup>1</sup><br>HEX<br>FLATS<br>REF | PGA<br>REF | PGR<br>REF | R<br>±.005 | S<br>±.010 | T<br>DIA<br>+.004<br>-.002 | V<br>THREAD<br>CLASS 2A | X<br>MAX<br>O.D.<br>CABLE |
|------------|-------------------------|-----------------------------|---------------------|----------|-----------------------|-----------------------|-----------------------|---------------------|----------|---------------------------------------|------------|------------|------------|------------|----------------------------|-------------------------|---------------------------|
| 10SL       | .6250-24 UNEF           | .391                        | .672                | 2.129    | 3.010                 | 2.189                 | 1.468                 | .562                | .894     | .750                                  | .150/.320  | .070/.240  | .719       | 1.000      | .120                       | .6250-24 UNEF           | .312                      |
| 12S        | .7500-20 UNEF           | .450                        | .672                | 2.129    | 3.010                 | 2.261                 | 1.468                 | .562                | .894     | .750                                  | .150/.320  | .070/.240  | .812       | 1.094      | .120                       | .6250-24 UNEF           | .312                      |
| 12         | .7500-20 UNEF           | .625                        | .860                | 2.524    | 3.500                 | 2.644                 | 1.468                 | .750                | .894     | .750                                  | .150/.320  | .070/.240  | .812       | 1.094      | .120                       | .6250-24 UNEF           | .312                      |
| 14S        | .8750-20 UNEF           | .450                        | .672                | 2.201    | 3.188                 | 2.261                 | 1.468                 | .562                | 1.083    | .880                                  | .190/.390  | .110/.280  | .906       | 1.188      | .120                       | .7500-20 UNEF           | .438                      |
| 14         | .8750-20 UNEF           | .625                        | .860                | 2.524    | 3.641                 | 2.644                 | 1.468                 | .750                | 1.083    | .880                                  | .190/.390  | .110/.280  | .906       | 1.188      | .120                       | .7500-20 UNEF           | .438                      |
| 16S        | 1.0000-20 UNEF          | .450                        | .672                | 2.201    | 3.265                 | 2.266                 | 1.468                 | .562                | 1.181    | .940                                  | .230/.470  | .190/.350  | .969       | 1.281      | .120                       | .8750-20 UNEF           | .531                      |
| 16         | 1.0000-20 UNEF          | .625                        | .860                | 2.524    | 3.718                 | 2.644                 | 1.468                 | .750                | 1.181    | .940                                  | .230/.470  | .190/.350  | .969       | 1.281      | .120                       | .8750-20 UNEF           | .531                      |
| 18         | 1.1250-18 UNEF          | .625                        | .891                | 2.596    | 3.718                 | 2.716                 | 1.938                 | .750                | 1.300    | .940                                  | .230/.470  | .190/.350  | 1.063      | 1.375      | .120                       | 1.0000-20 UNEF          | .625                      |
| 20         | 1.2500-18 UNEF          | .625                        | .891                | 2.654    | 3.798                 | 2.774                 | 1.844                 | .750                | 1.487    | 1.060                                 | .390/.560  | .270/.470  | 1.156      | 1.500      | .120                       | 1.1875-18 UNEF          | .750                      |
| 22         | 1.3750-18 UNEF          | .625                        | .891                | 2.654    | 4.080                 | 2.916                 | 1.938                 | .750                | 1.487    | 1.060                                 | .390/.560  | .270/.470  | 1.250      | 1.625      | .120                       | 1.1875-18 UNEF          | .750                      |
| 24         | 1.5000-18 UNEF          | .625                        | .953                | 2.885    | 4.142                 | 3.051                 | 1.970                 | .812                | 1.712    | 1.060                                 | .390/.560  | .270/.470  | 1.375      | 1.750      | .147                       | 1.4375-18 UNEF          | .938                      |
| 28         | 1.7500-18 UNS           | .625                        | .953                | 2.885    | 4.291                 | 3.140                 | 2.189                 | .812                | 1.712    | 1.300                                 | .510/.710  | .350/.630  | 1.562      | 2.000      | .147                       | 1.4375-18 UNEF          | .938                      |
| 32         | 2.0000-18 UNS           | .625                        | 1.031               | 2.943    | 4.643                 | 3.184                 | 2.261                 | .875                | 2.063    | 1.650                                 | .700/.980  | .510/.790  | 1.750      | 2.250      | .173                       | 1.7500-18 UNS           | 1.250                     |
| 36         | 2.2500-16 UN            | .625                        | 1.031               | 2.943    | 4.643                 | 3.245                 | 2.219                 | .875                | 2.283    | 1.650                                 | .700/.980  | .510/.790  | 1.938      | 2.500      | .173                       | 2.0000-18 UNS           | 1.375                     |
| 40         | 2.5000-16 UN            | .625                        | 1.031               | 3.068    | 5.635                 | 3.670                 | 2.188                 | .875                | 2.688    | 1.650                                 | .700/.980  | .510/.790  | 2.188      | 2.750      | .173                       | 2.2500-16 UN            | 1.625                     |

SEE SHEET 19.

**NOTES:**

THE USE OF THIS DOCUMENT IS UNLIMITED.  
HOWEVER, DOCUMENTS REFERENCED HEREON  
MAY CONTAIN LIMITED RIGHTS DATA.

|                  |                          |                                  |                  |
|------------------|--------------------------|----------------------------------|------------------|
| SIZE<br><b>C</b> | FSCM NO.<br><b>77820</b> | DOCUMENT NO.<br><b>AC SERIES</b> | REV.<br><b>G</b> |
| SCALE: NONE      | REF: N/A                 | SHEET 3 OF 20                    |                  |

3 OF 19  
AC SERIES

A

E

AD

AF

F

PG

SEE SHEET 19.

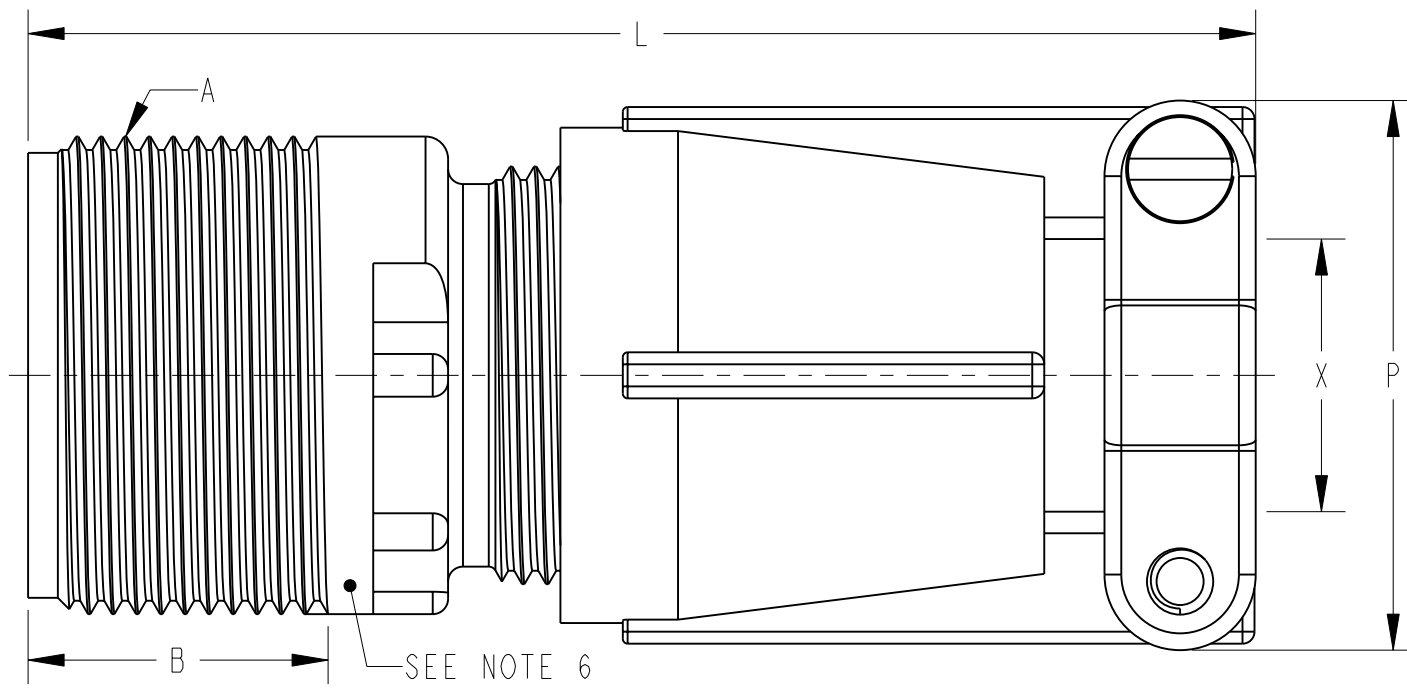
NOTES:

THE USE OF THIS DOCUMENT IS UNLIMITED.  
HOWEVER, DOCUMENTS REFERENCED HEREON  
MAY CONTAIN LIMITED RIGHTS DATA.

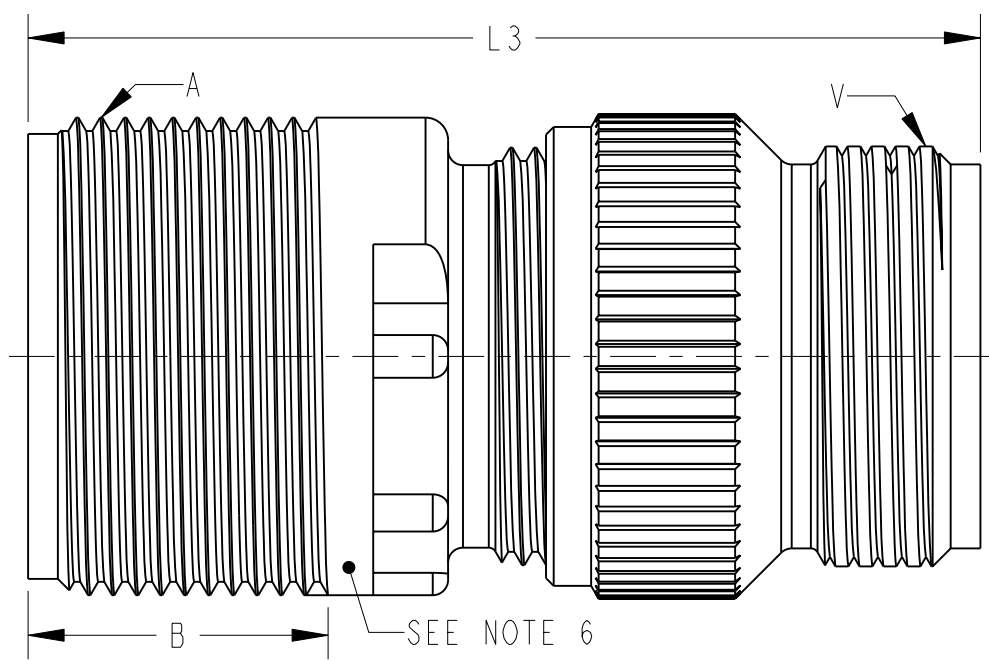
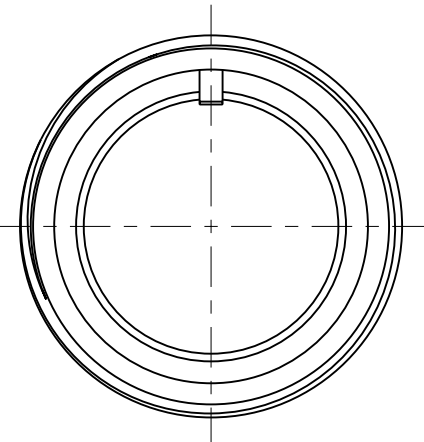
AC( )00( )

|                  |                          |                                  |                  |
|------------------|--------------------------|----------------------------------|------------------|
| SIZE<br><b>C</b> | FSCM NO.<br><b>77820</b> | DOCUMENT NO.<br><b>AC SERIES</b> | REV.<br><b>G</b> |
| SCALE: 1:3       | REF: N/A                 | SHEET 4 of 20                    |                  |

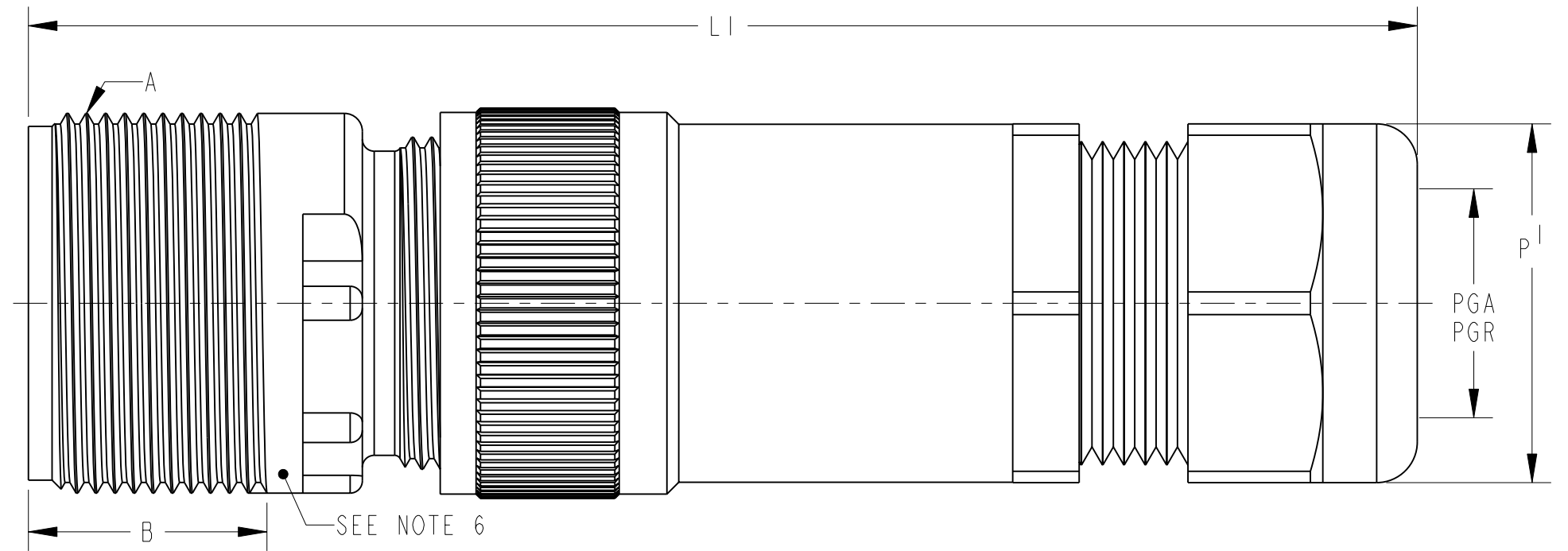
# AC( )01( )



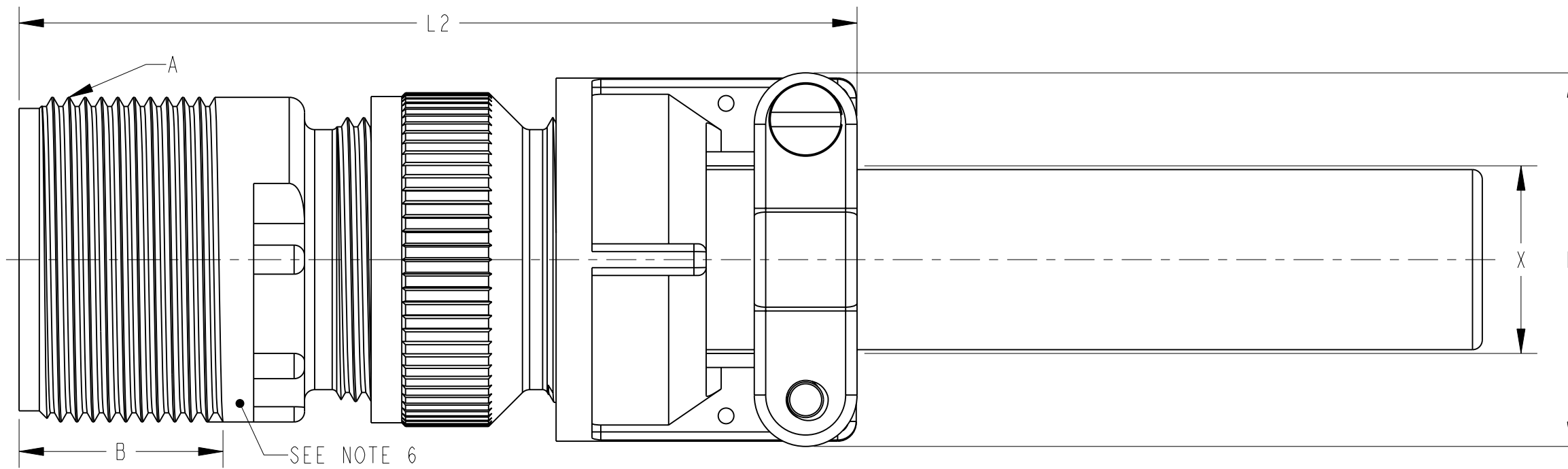
AC( )01A( )  
AC( )01E( )



AC( )01AD( )



AC( )01PG( )



AC( )01AF( )  
AC( )01F( )

SEE SHEET 19.

**NOTES:**

THE USE OF THIS DOCUMENT IS UNLIMITED.  
HOWEVER, DOCUMENTS REFERENCED HEREON  
MAY CONTAIN LIMITED RIGHTS DATA.

|                  |                          |                                  |                  |
|------------------|--------------------------|----------------------------------|------------------|
| SIZE<br><b>C</b> | FSCM NO.<br><b>77820</b> | DOCUMENT NO.<br><b>AC SERIES</b> | REV.<br><b>G</b> |
| SCALE: NONE      | REF: N/A                 | SHEET 5 OF 20                    |                  |

# AC( )01( )

| SHELL SIZE | A<br>THREAD<br>CLASS 2A | B<br>MIN.<br>FULL<br>THREAD | L<br>REF | L <sup>1</sup><br>REF | L <sup>2</sup><br>REF | L <sup>3</sup><br>REF | P<br>MAX | P <sup>1</sup><br>HEX<br>FLATS<br>REF | PGA<br>REF | PGR<br>REF | V<br>THREAD<br>PLATED<br>CLASS 2 A | X<br>MAX<br>O.D.<br>CABLE |
|------------|-------------------------|-----------------------------|----------|-----------------------|-----------------------|-----------------------|----------|---------------------------------------|------------|------------|------------------------------------|---------------------------|
| 10SL       | .6250-24 UNEF           | .406                        | 2.129    | 3.010                 | 2.189                 | 1.468                 | .894     | .750                                  | .150/.320  | .070/.240  | .6250-24 UNEF                      | .312                      |
| 12S        | .7500-20 UNEF           | .422                        | 2.129    | 3.010                 | 2.261                 | 1.468                 | .894     | .750                                  | .150/.320  | .070/.240  | .6250-24 UNEF                      | .312                      |
| 12         | .7500-20 UNEF           | .656                        | 2.524    | 3.500                 | 2.644                 | 1.468                 | .894     | .750                                  | .150/.320  | .070/.240  | .6250-24 UNEF                      | .312                      |
| 14S        | .8750-20 UNEF           | .391                        | 2.201    | 3.188                 | 2.261                 | 1.468                 | 1.083    | .880                                  | .190/.390  | .110/.280  | .7500-20 UNEF                      | .438                      |
| 14         | .8750-20 UNEF           | .625                        | 2.524    | 3.641                 | 2.644                 | 1.468                 | 1.083    | .880                                  | .190/.390  | .110/.280  | .7500-20 UNEF                      | .438                      |
| 16S        | 1.0000-20 UNEF          | .391                        | 2.201    | 3.265                 | 2.266                 | 1.468                 | 1.181    | .940                                  | .230/.470  | .190/.350  | .8750-20 UNEF                      | .531                      |
| 16         | 1.0000-20 UNEF          | .625                        | 2.524    | 3.718                 | 2.644                 | 1.468                 | 1.181    | .940                                  | .230/.470  | .190/.350  | .8750-20 UNEF                      | .531                      |
| 18         | 1.1250-18 UNEF          | .625                        | 2.596    | 3.718                 | 2.716                 | 1.938                 | 1.300    | .940                                  | .230/.470  | .190/.350  | 1.0000-20 UNEF                     | .625                      |
| 20         | 1.2500-18 UNEF          | .625                        | 2.654    | 3.798                 | 2.774                 | 1.844                 | 1.487    | 1.060                                 | .390/.560  | .270/.470  | 1.1875-18 UNEF                     | .750                      |
| 22         | 1.3750-18 UNEF          | .625                        | 2.654    | 4.080                 | 2.916                 | 1.938                 | 1.487    | 1.060                                 | .390/.560  | .270/.470  | 1.1875-18 UNEF                     | .750                      |
| 24         | 1.5000-18 UNEF          | .625                        | 2.885    | 4.142                 | 3.051                 | 1.970                 | 1.712    | 1.060                                 | .390/.560  | .270/.470  | 1.4375-18 UNEF                     | .938                      |
| 28         | 1.7500-18 UNS           | .625                        | 2.885    | 4.291                 | 3.140                 | 2.189                 | 1.712    | 1.300                                 | .510/.710  | .350/.630  | 1.4375-18 UNEF                     | .938                      |
| 32         | 2.0000-18 UNS           | .625                        | 2.943    | 4.643                 | 3.184                 | 2.261                 | 2.063    | 1.650                                 | .700/.980  | .510/.790  | 1.7500-18 UNS                      | 1.250                     |
| 36         | 2.2500-16 UN            | .625                        | 2.943    | 4.643                 | 3.245                 | 2.219                 | 2.283    | 1.650                                 | .700/.980  | .510/.790  | 2.0000-18 UNS                      | 1.375                     |
| 40         | 2.5000-16 UN            | .625                        | 3.068    | 5.635                 | 3.670                 | 2.188                 | 2.688    | 1.650                                 | .700/.980  | .510/.790  | 2.2500-16 UN                       | 1.625                     |

SEE SHEET 19.

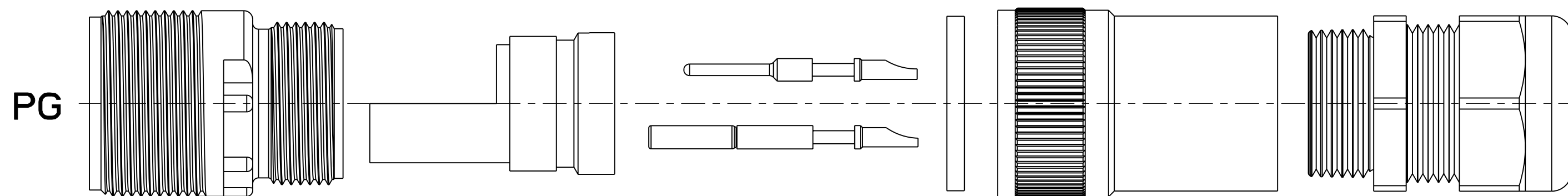
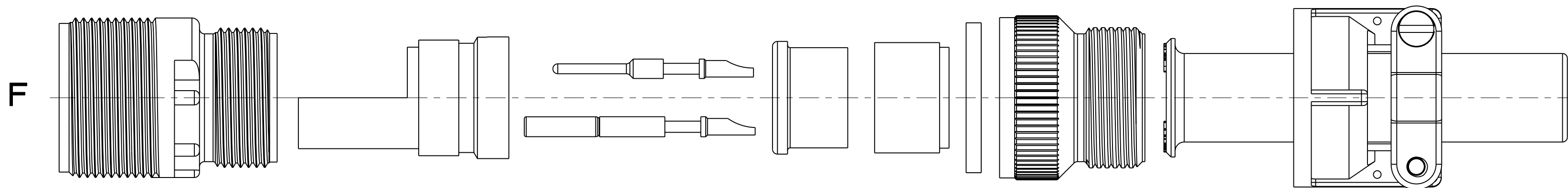
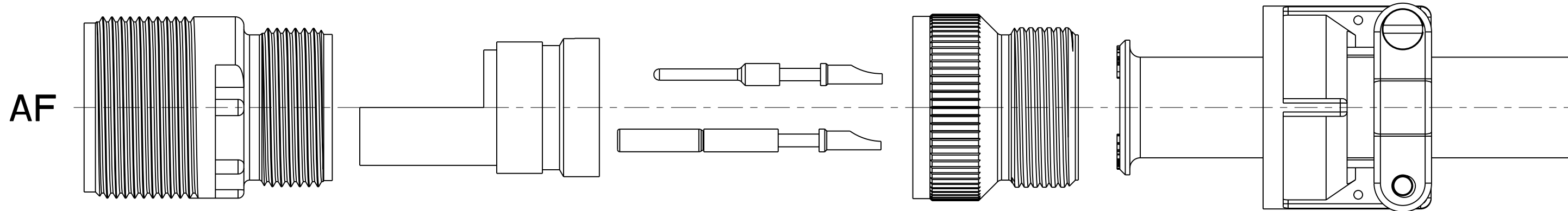
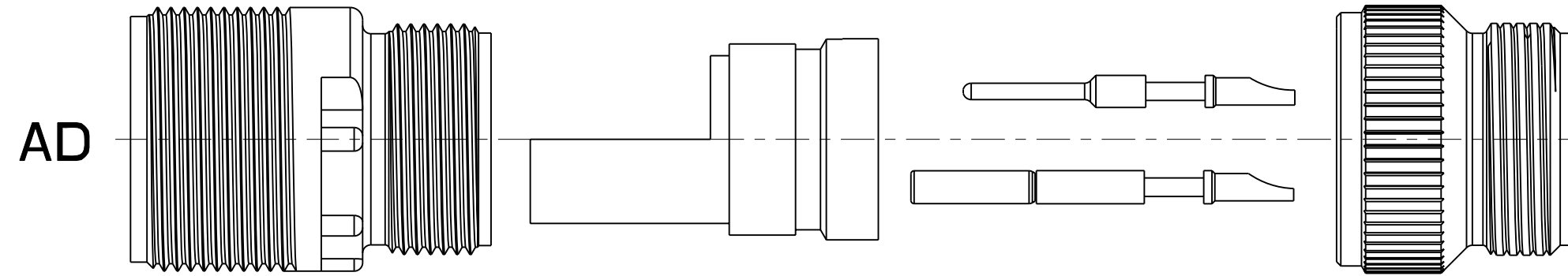
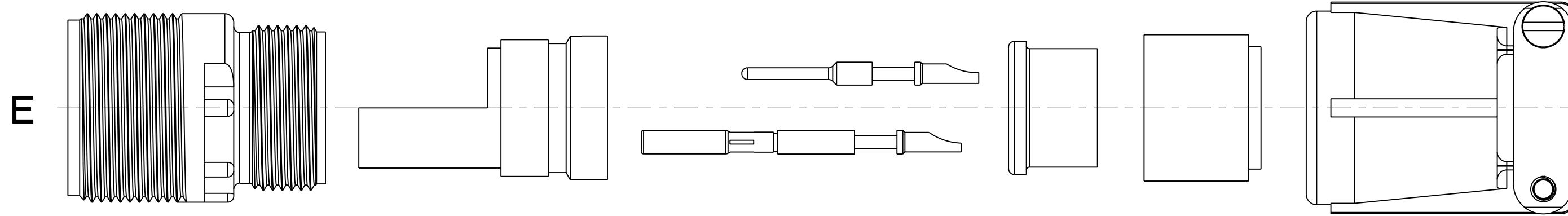
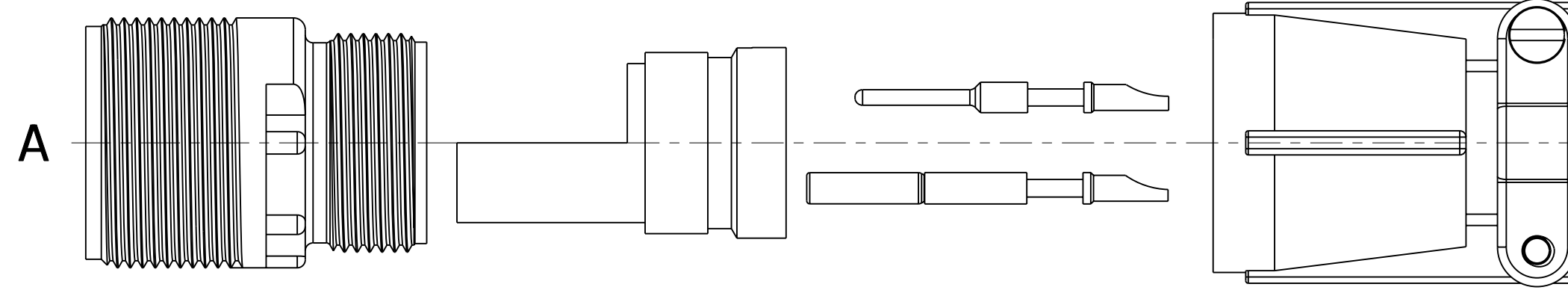
**NOTES:**

THE USE OF THIS DOCUMENT IS UNLIMITED.  
HOWEVER, DOCUMENTS REFERENCED HEREON  
MAY CONTAIN LIMITED RIGHTS DATA.

|                  |                          |                                  |                  |
|------------------|--------------------------|----------------------------------|------------------|
| SIZE<br><b>C</b> | FSCM NO.<br><b>77820</b> | DOCUMENT NO.<br><b>AC SERIES</b> | REV.<br><b>G</b> |
| SCALE: NONE      | REF: N/A                 | SHEET 6 OF 20                    |                  |

AC SERIES  
6 OF 19

# AC( )01( )



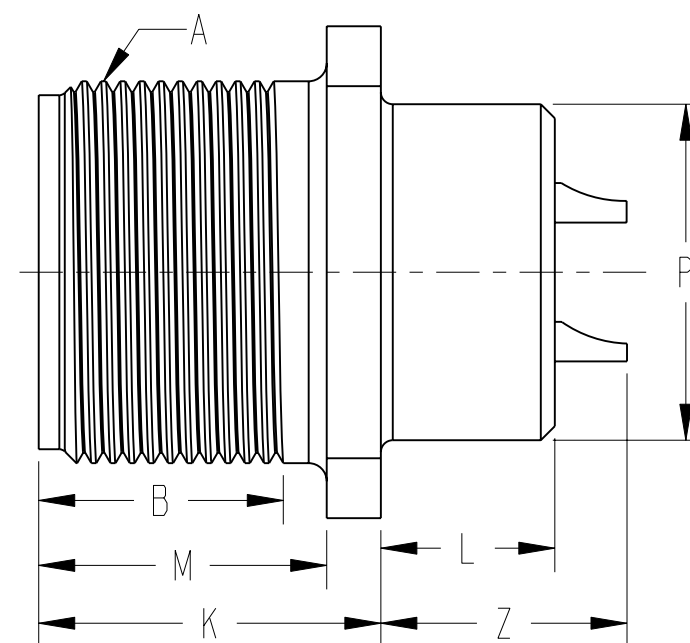
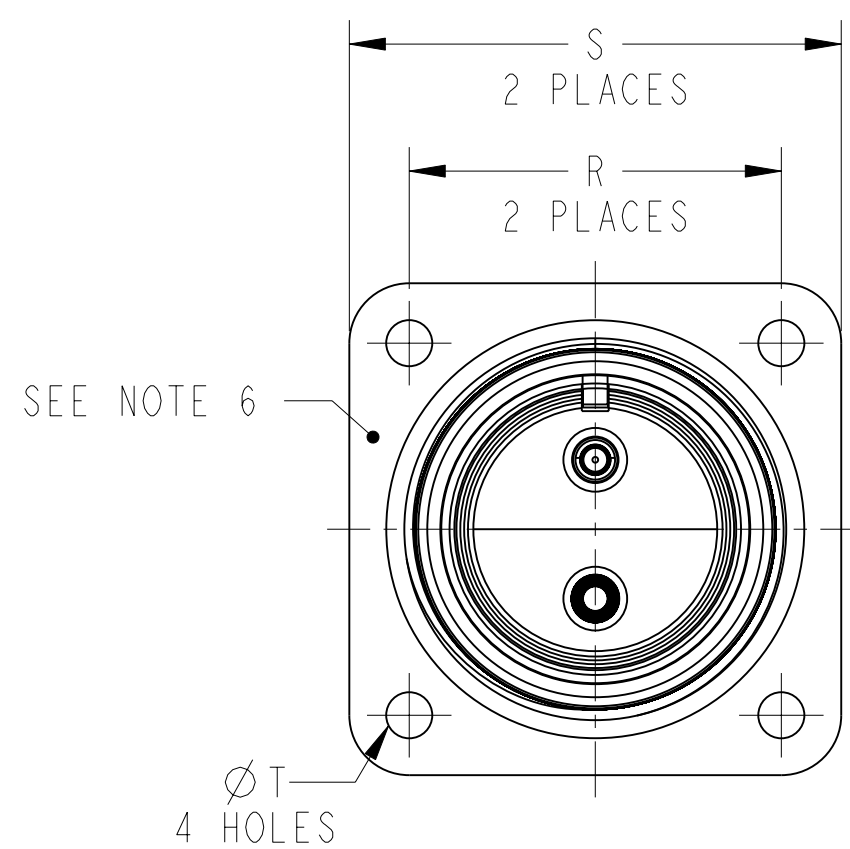
SEE SHEET 19.

### NOTES:

THE USE OF THIS DOCUMENT IS UNLIMITED.  
 HOWEVER, DOCUMENTS REFERENCED HEREON  
 MAY CONTAIN LIMITED RIGHTS DATA.

|                  |                          |                                  |                  |
|------------------|--------------------------|----------------------------------|------------------|
| SIZE<br><b>C</b> | FSCM NO.<br><b>77820</b> | DOCUMENT NO.<br><b>AC SERIES</b> | REV.<br><b>G</b> |
| SCALE: 1:3       | REF: N/A                 | SHEET 7 OF 20                    |                  |

# AC( )02( )



## AC( )02A( )

## AC( )02E( )

| SHELL SIZE | A<br>THREAD<br>CLASS 2A | B<br>MIN.<br>FULL<br>THREAD | K<br>+.020<br>-.010 | L<br>+.000<br>-.010 | M<br>+.010<br>-.000 | P<br>DIA<br>+.010<br>-.000 | R<br>±.005 | S<br>±.010 | T<br>DIA<br>+.004<br>-.002 | Z<br>MAX** |
|------------|-------------------------|-----------------------------|---------------------|---------------------|---------------------|----------------------------|------------|------------|----------------------------|------------|
| 10SL       | .6250-24 UNEF           | .391                        | .672                | .297                | .562                | .625                       | .719       | 1.000      | .120                       | .519       |
| 12S        | .7500-20 UNEF           | .450                        | .672                | .297                | .562                | .625                       | .812       | 1.094      | .120                       | .519       |
| 12         | .7500-20 UNEF           | .625                        | .860                | .484                | .750                | .625                       | .812       | 1.094      | .120                       | .722       |
| 14S        | .8750-20 UNEF           | .450                        | .672                | .297                | .562                | .750                       | .906       | 1.188      | .120                       | .519       |
| 14         | .8750-20 UNEF           | .625                        | .860                | .484                | .750                | .750                       | .906       | 1.188      | .120                       | .722       |
| 16S        | 1.0000-20 UNEF          | .450                        | .672                | .297                | .562                | .875                       | .969       | 1.281      | .120                       | .519       |
| 16         | 1.0000-20 UNEF          | .625                        | .860                | .484                | .750                | .875                       | .969       | 1.281      | .120                       | .722       |
| 18         | 1.1250-18 UNEF          | .625                        | .891                | .453                | .750                | 1.000                      | 1.063      | 1.375      | .120                       | .691       |
| 20         | 1.2500-18 UNEF          | .625                        | .891                | .453                | .750                | 1.125                      | 1.156      | 1.500      | .120                       | .691       |
| 22         | 1.3750-18 UNEF          | .625                        | .891                | .453                | .750                | 1.250                      | 1.250      | 1.625      | .120                       | .691       |
| 24         | 1.5000-18 UNEF          | .625                        | .953                | .453                | .812                | 1.375                      | 1.375      | 1.750      | .147                       | .628       |
| 28         | 1.7500-18 UNS           | .625                        | .953                | .453                | .812                | 1.625                      | 1.562      | 2.000      | .147                       | .628       |
| 32         | 2.0000-18 UNS           | .625                        | 1.031               | .438                | .875                | 1.875                      | 1.750      | 2.250      | .173                       | .550       |
| 36         | 2.2500-16 UN            | .625                        | 1.031               | .438                | .875                | 2.062                      | 1.938      | 2.500      | .173                       | .550       |
| 40         | 2.5000-16 UN            | .625                        | 1.031               | .438                | .875                | 2.312                      | 2.188      | 2.750      | .173                       | .550       |

\*\* INCREASE Z DIMENSION BY .312 FOR SIZE "0" CONTACT ONLY.

SEE SHEET 19.

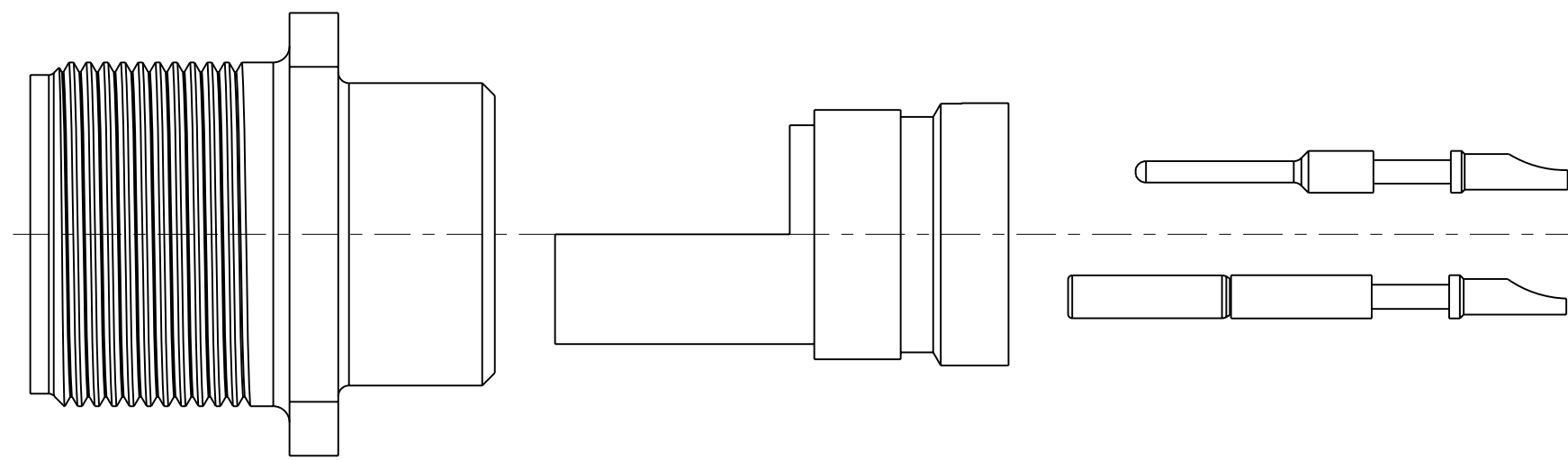
### NOTES:

THE USE OF THIS DOCUMENT IS UNLIMITED. HOWEVER, DOCUMENTS REFERENCED HEREON MAY CONTAIN LIMITED RIGHTS DATA.

|                  |                          |                                  |                  |
|------------------|--------------------------|----------------------------------|------------------|
| SIZE<br><b>C</b> | FSCM NO.<br><b>77820</b> | DOCUMENT NO.<br><b>AC SERIES</b> | REV.<br><b>G</b> |
| SCALE: NONE      | REF: N/A                 | SHEET 8 OF 20                    |                  |



# AC( )02( )



SEE SHEET 19.

**NOTES:**

THE USE OF THIS DOCUMENT IS UNLIMITED.  
 HOWEVER, DOCUMENTS REFERENCED HEREON  
 MAY CONTAIN LIMITED RIGHTS DATA.

|                  |                          |                                  |                  |
|------------------|--------------------------|----------------------------------|------------------|
| SIZE<br><b>C</b> | FSCM NO.<br><b>77820</b> | DOCUMENT NO.<br><b>AC SERIES</b> | REV.<br><b>G</b> |
| SCALE: NONE      | REF: N/A                 | SHEET 9 OF 20                    |                  |

AC SERIES  
 SHEET 9 OF 19

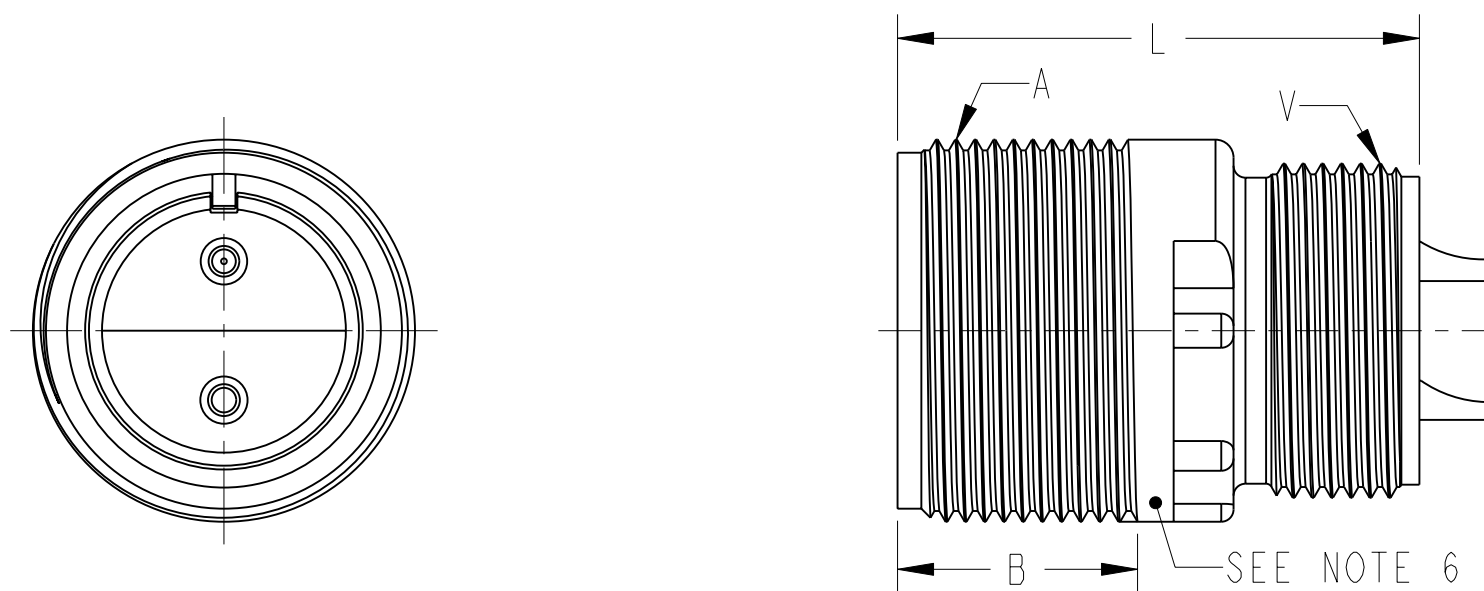
D

C

B

A

# AC( )04( )



AC( )04A( )  
 AC( )04E( )

| SHELL SIZE | A<br>THREAD<br>CLASS 2A | B<br>MIN.<br>FULL<br>THREAD | L<br>REF | V<br>THREAD<br>CLASS 2A |
|------------|-------------------------|-----------------------------|----------|-------------------------|
| 10SL       | .6250-24 UNEF           | .406                        | .969     | .6250-24 UNEF           |
| 12S        | .7500-20 UNEF           | .422                        | .969     | .6250-24 UNEF           |
| 12         | .7500-20 UNEF           | .656                        | 1.344    | .6250-24 UNEF           |
| 14S        | .8750-20 UNEF           | .391                        | .969     | .7500-20 UNEF           |
| 14         | .8750-20 UNEF           | .625                        | 1.344    | .7500-20 UNEF           |
| 16S        | 1.0000-20 UNEF          | .391                        | .969     | .8750-20 UNRF           |
| 16         | 1.0000-20 UNEF          | .625                        | 1.344    | .8750-20 UNEF           |
| 18         | 1.1250-18 UNEF          | .625                        | 1.344    | 1.0000-20 UNEF          |
| 20         | 1.2500-18 UNEF          | .625                        | 1.344    | 1.1250-18 UNEF          |
| 22         | 1.3750-18 UNEF          | .625                        | 1.344    | 1.2500-18 UNEF          |
| 24         | 1.5000-18 UNEF          | .625                        | 1.406    | 1.3750-18 UNEF          |
| 28         | 1.7500-18 UNS           | .625                        | 1.406    | 1.6250-18 UNEF          |
| 32         | 2.0000-18 UNS           | .625                        | 1.469    | 1.8750-16 UN            |
| 36         | 2.2500-16 UN            | .625                        | 1.469    | 2.0625-16 UN            |
| 40         | 2.5000-16 UN            | .625                        | 1.469    | 2.3125-16 UN            |

SEE SHEET 19.

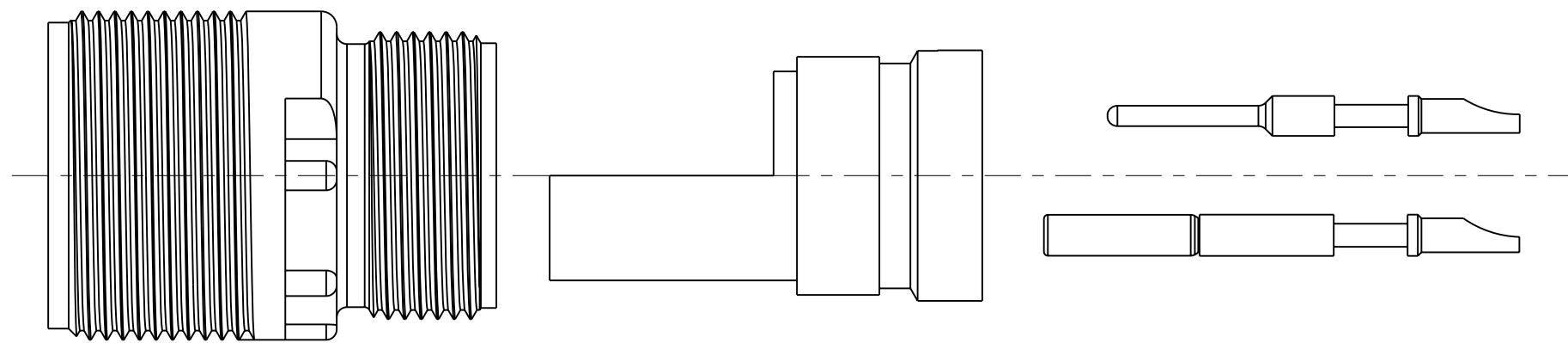
**NOTES:**

THE USE OF THIS DOCUMENT IS UNLIMITED.  
 HOWEVER, DOCUMENTS REFERENCED HEREON  
 MAY CONTAIN LIMITED RIGHTS DATA.

|                  |                          |                                  |                  |
|------------------|--------------------------|----------------------------------|------------------|
| SIZE<br><b>C</b> | FSCM NO.<br><b>77820</b> | DOCUMENT NO.<br><b>AC SERIES</b> | REV.<br><b>G</b> |
| SCALE: NONE      | REF: N/A                 | SHEET 10 OF 20                   |                  |

TAB

# AC( )04( )



SEE SHEET 19.

**NOTES:**

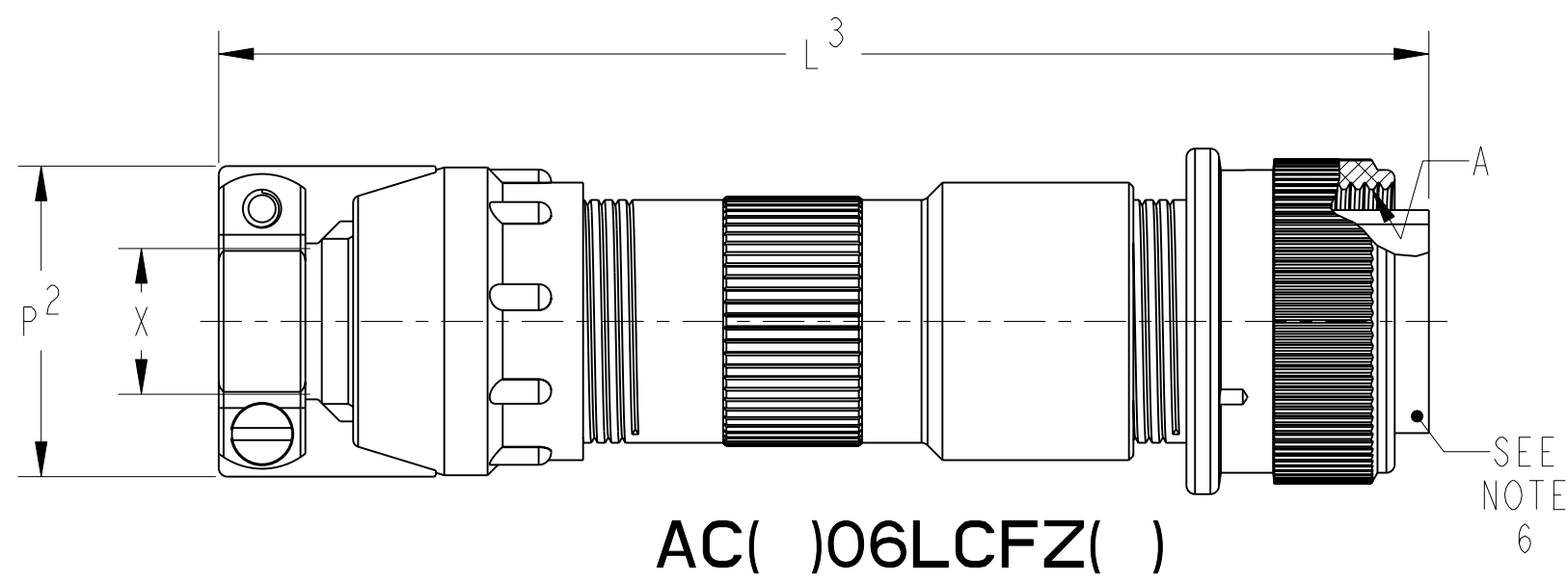
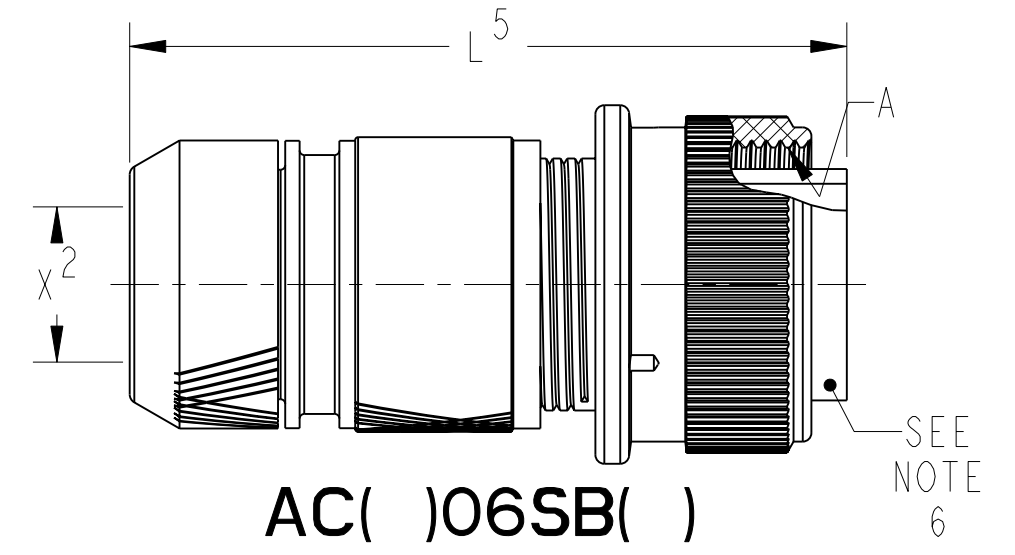
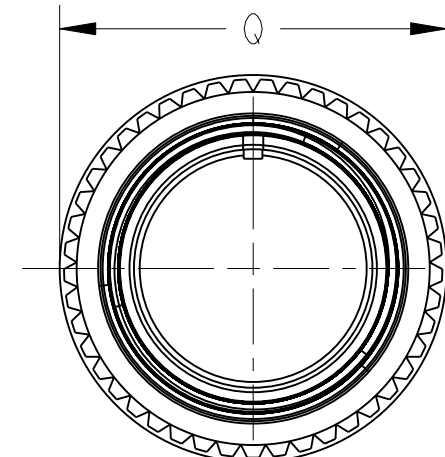
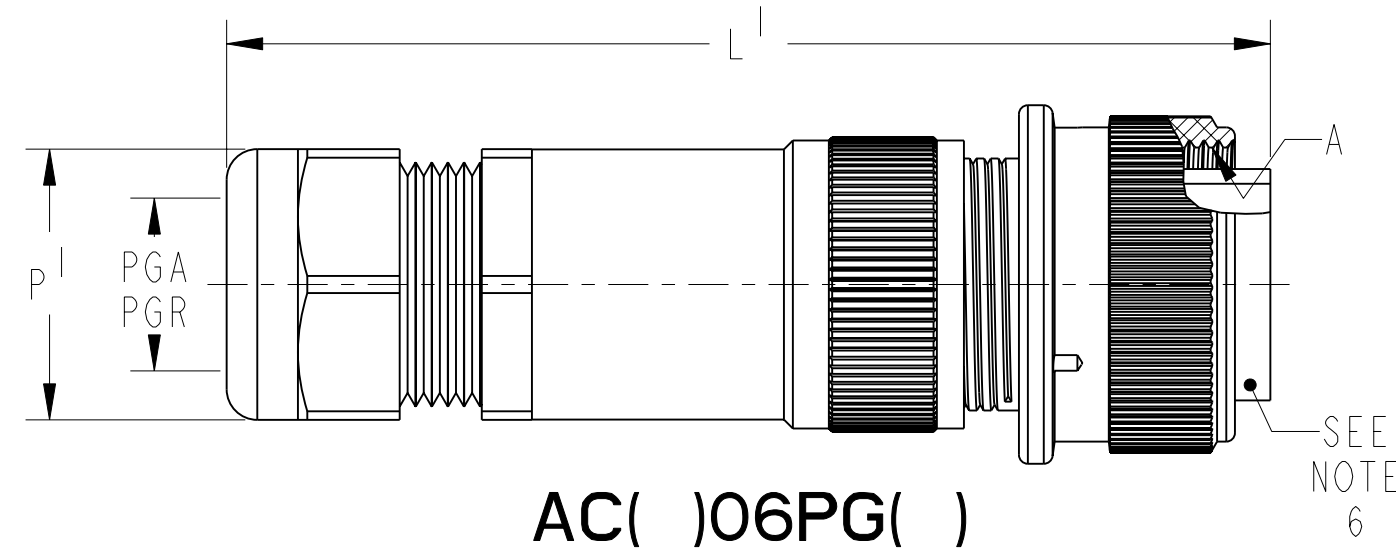
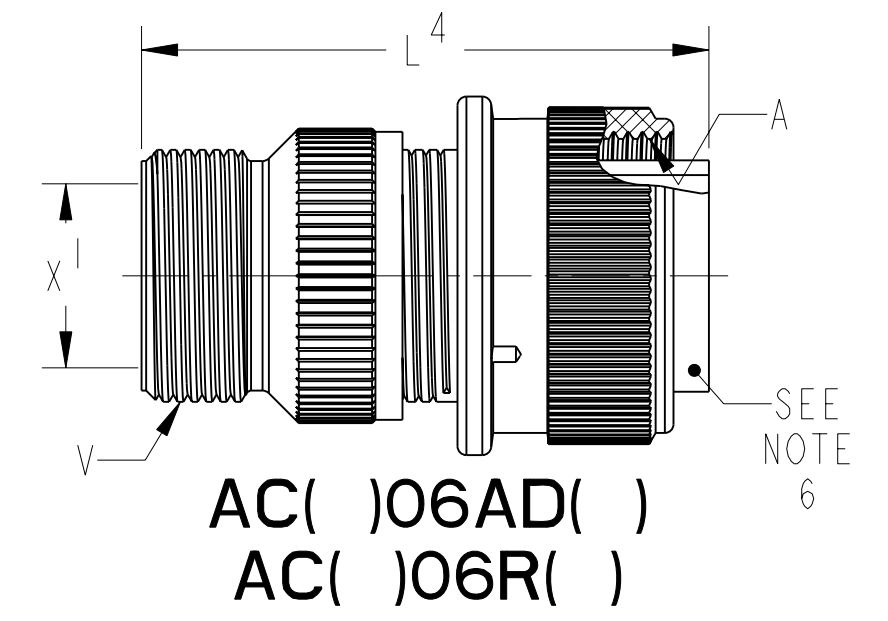
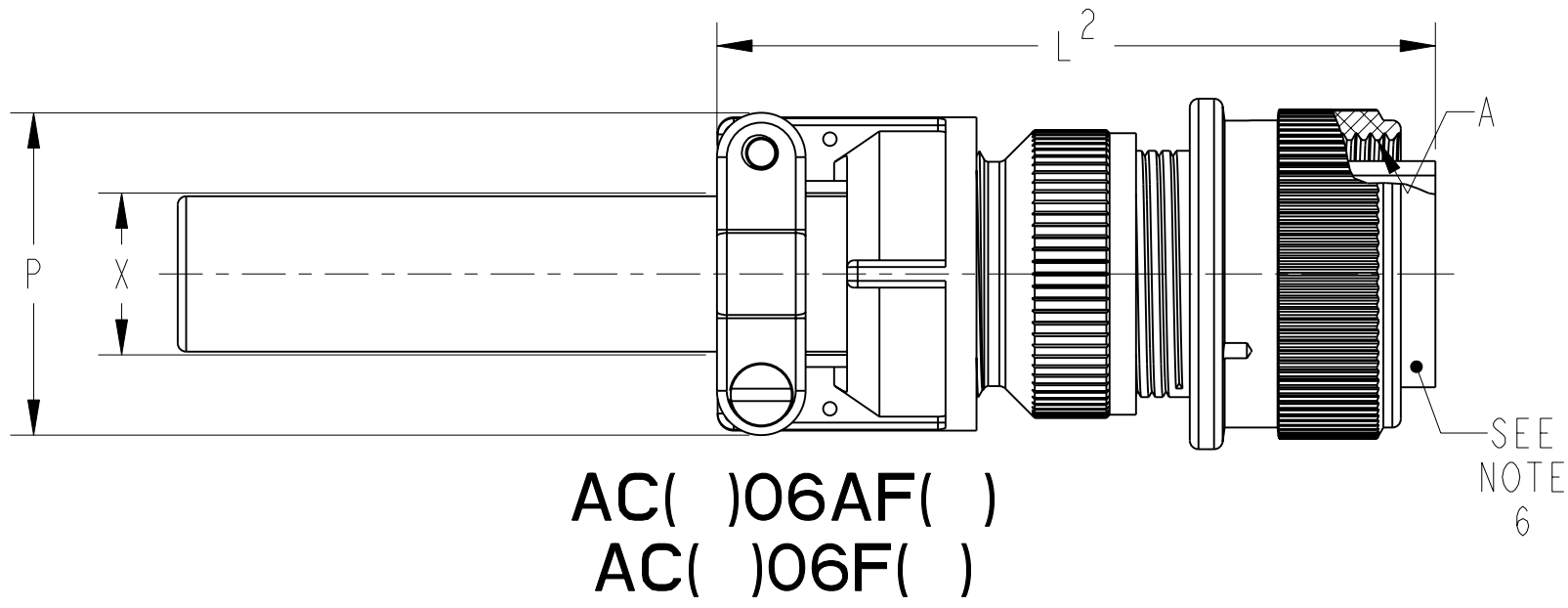
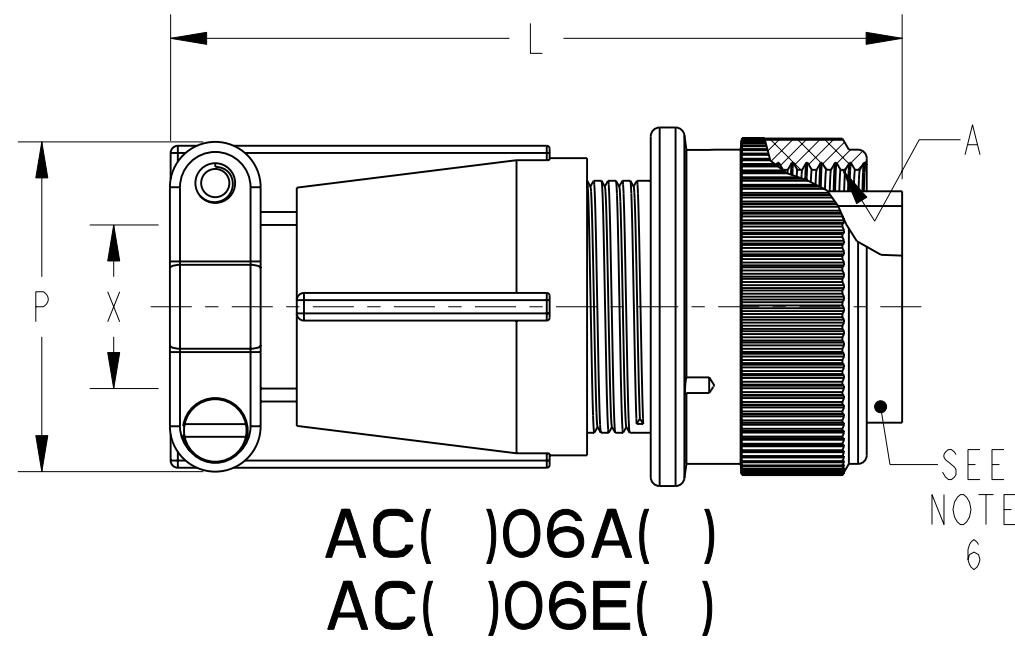
THE USE OF THIS DOCUMENT IS UNLIMITED.  
 HOWEVER, DOCUMENTS REFERENCED HEREON  
 MAY CONTAIN LIMITED RIGHTS DATA.

|                  |                          |                                  |                  |
|------------------|--------------------------|----------------------------------|------------------|
| SIZE<br><b>C</b> | FSCM NO.<br><b>77820</b> | DOCUMENT NO.<br><b>AC SERIES</b> | REV.<br><b>G</b> |
| SCALE: NONE      | REF: N/A                 | SHEET 11 OF 20                   |                  |

TAB

AC SERIES  
11 OF 19

# AC( )06( )



SEE SHEET 19.

**NOTES:**

THE USE OF THIS DOCUMENT IS UNLIMITED.  
HOWEVER, DOCUMENTS REFERENCED HEREON  
MAY CONTAIN LIMITED RIGHTS DATA.

|                  |                          |                                  |                  |
|------------------|--------------------------|----------------------------------|------------------|
| SIZE<br><b>C</b> | FSCM NO.<br><b>77820</b> | DOCUMENT NO.<br><b>AC SERIES</b> | REV.<br><b>G</b> |
| SCALE: NONE      | REF: N/A                 | SHEET 12 OF 20                   |                  |

# AC( )06( )

| SHELL SIZE | A<br>THREAD<br>CLASS 2A | L<br>MAX | L <sup>1</sup><br>MAX | L <sup>2</sup><br>MAX | L <sup>3</sup><br>REF | L <sup>4</sup><br>MAX | L <sup>5</sup><br>REF | P<br>MAX | P <sup>1</sup><br>HEX<br>FLATS<br>REF | P <sup>2</sup><br>MAX | PGA<br>REF | PGR<br>REF | Q<br>MAX | V<br>THREAD<br>CLASS 2A | X<br>MAX<br>O.D.<br>CABLE | X <sup>1</sup><br>DIA.<br>MIN. | X <sup>2</sup><br>DIA.<br>MIN. |
|------------|-------------------------|----------|-----------------------|-----------------------|-----------------------|-----------------------|-----------------------|----------|---------------------------------------|-----------------------|------------|------------|----------|-------------------------|---------------------------|--------------------------------|--------------------------------|
| 10SL       | .6250-24 UNEF           | 2.129    | 3.010                 | 2.189                 | 3.811                 | 1.969                 | 2.034                 | .894     | .750                                  | .906                  | .150/.320  | .070/.240  | .946     | .6250-24 UNEF           | .312                      | .409                           | .303                           |
| 12S        | .7500-20 UNEF           | 2.129    | 3.010                 | 2.261                 | NA                    | NA                    | NA                    | .894     | .750                                  | .906                  | .150/.320  | .070/.240  | .995     | NOT AVAILABLE           | .312                      | NA                             | NA                             |
| 12         | .7500-20 UNEF           | 2.524    | 3.500                 | 2.644                 | NA                    | NA                    | NA                    | .894     | .750                                  | .906                  | .150/.320  | .070/.240  | .995     | NOT AVAILABLE           | .312                      | NA                             | NA                             |
| 14S        | .8750-20 UNEF           | 2.201    | 3.188                 | 2.261                 | 3.842                 | 1.969                 | 2.049                 | 1.083    | .880                                  | 1.031                 | .190/.390  | .110/.280  | 1.123    | .7500-20 UNEF           | .438                      | .520                           | .417                           |
| 14         | .8750-20 UNEF           | 2.524    | 3.641                 | 2.644                 | NA                    | NA                    | NA                    | 1.083    | .880                                  | 1.031                 | .190/.390  | .110/.280  | 1.123    | NOT AVAILABLE           | .438                      | NA                             | NA                             |
| 16S        | 1.0000-20 UNEF          | 2.201    | 3.265                 | 2.266                 | 3.842                 | 1.969                 | 2.049                 | 1.181    | .940                                  | 1.125                 | .230/.470  | .190/.350  | 1.250    | .8750-20 UNEF           | .531                      | .638                           | .531                           |
| 16         | 1.0000-20 UNEF          | 2.524    | 3.718                 | 2.644                 | 4.216                 | 2.362                 | 2.505                 | 1.181    | .940                                  | 1.125                 | .230/.470  | .190/.350  | 1.250    | .8750-20 UNEF           | .531                      | .638                           | .531                           |
| 18         | 1.1250-18 UNEF          | 2.596    | 3.718                 | 2.716                 | 4.409                 | 2.362                 | 2.552                 | 1.300    | .940                                  | 1.234                 | .230/.470  | .190/.350  | 1.333    | 1.0000-20 UNEF          | .625                      | .756                           | .637                           |
| 20         | 1.2500-18 UNEF          | 2.654    | 3.798                 | 2.774                 | 4.409                 | 2.362                 | 2.552                 | 1.487    | 1.060                                 | 1.484                 | .390/.560  | .270/.470  | 1.461    | 1.1875-18 UNEF          | .750                      | .866                           | .736                           |
| 22         | 1.3750-18 UNEF          | 2.654    | 4.080                 | 2.916                 | 4.413                 | 2.362                 | 2.418                 | 1.487    | 1.060                                 | 1.484                 | .390/.560  | .270/.470  | 1.588    | 1.1875-18 UNEF          | .750                      | .965                           | .819                           |
| 24         | 1.5000-18 UNEF          | 2.885    | 4.142                 | 3.051                 | 4.535                 | 2.559                 | 2.632                 | 1.712    | 1.060                                 | 1.671                 | .390/.560  | .270/.470  | 1.715    | 1.4375-18 UNEF          | .938                      | 1.094                          | .981                           |
| 28         | 1.7500-18 UNS           | 2.885    | 4.291                 | 3.140                 | 4.756                 | 2.559                 | 2.566                 | 1.712    | 1.300                                 | 1.671                 | .510/.710  | .350/.630  | 1.968    | 1.4375-18 UNEF          | .938                      | 1.228                          | 1.067                          |
| 32         | 2.0000-18 UNS           | 2.943    | 4.643                 | 3.184                 | 5.079                 | 2.559                 | 2.628                 | 2.063    | 1.650                                 | 2.188                 | .700/.980  | .510/.790  | 2.209    | 1.7500-18 UNS           | 1.250                     | 1.488                          | 1.311                          |
| 36         | 2.2500-16 UN            | 2.943    | 4.643                 | 3.245                 | 5.327                 | 3.150                 | 2.676                 | 2.283    | 1.650                                 | 2.344                 | .700/.980  | .510/.790  | 2.463    | 2.0000-18 UNS           | 1.375                     | 1.780                          | 1.631                          |
| 40         | 2.5000-16 UN            | 3.068    | 5.635                 | 3.670                 | 5.327                 | 3.150                 | 2.628                 | 2.688    | 1.650                                 | 2.594                 | .700/.980  | .510/.790  | 2.718    | 2.2500-16 UN            | 1.625                     | 2.016                          | 1.882                          |

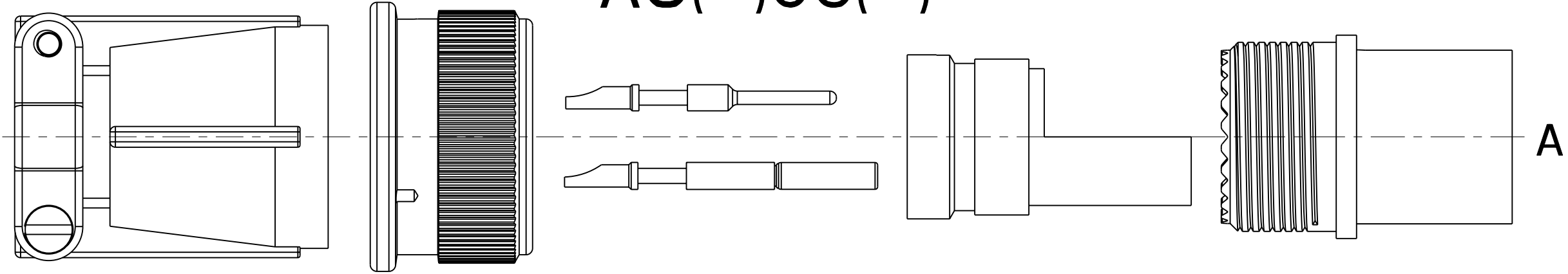
SEE SHEET 19.

**NOTES:**

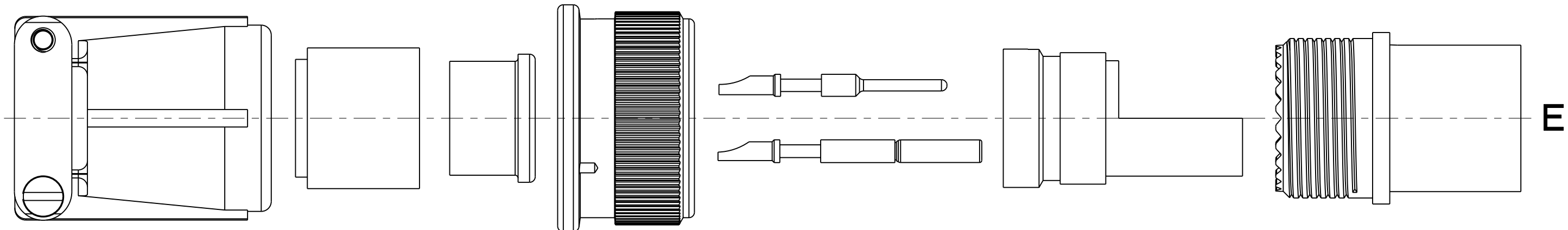
THE USE OF THIS DOCUMENT IS UNLIMITED.  
HOWEVER, DOCUMENTS REFERENCED HEREON  
MAY CONTAIN LIMITED RIGHTS DATA.

|                  |                          |                                  |                  |
|------------------|--------------------------|----------------------------------|------------------|
| SIZE<br><b>C</b> | FSCM NO.<br><b>77820</b> | DOCUMENT NO.<br><b>AC SERIES</b> | REV.<br><b>G</b> |
| SCALE: NONE      | REF: N/A                 | SHEET 13 OF 20                   |                  |

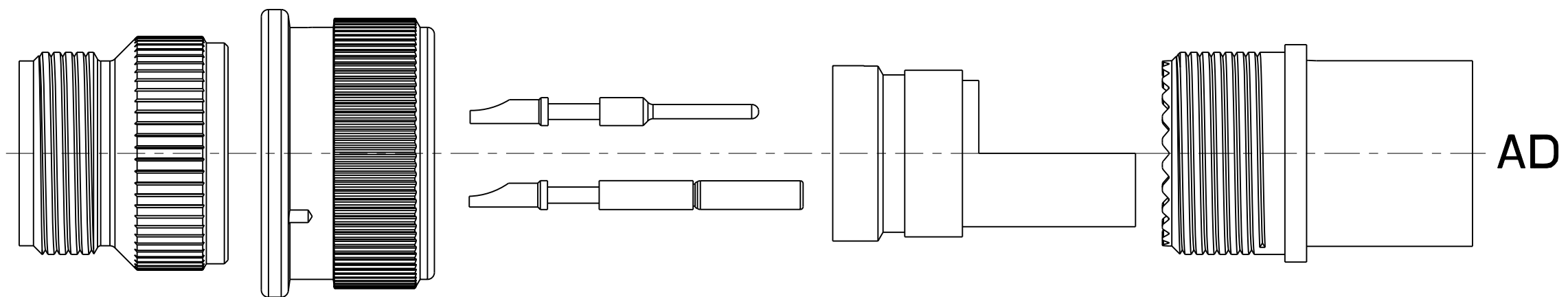
# AC( )06( )



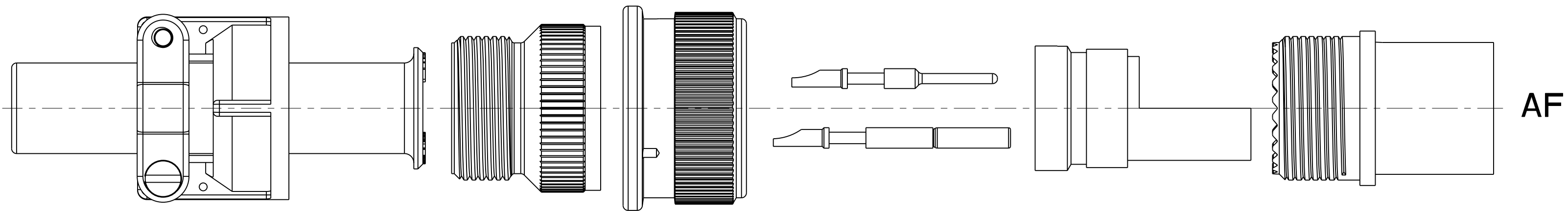
A



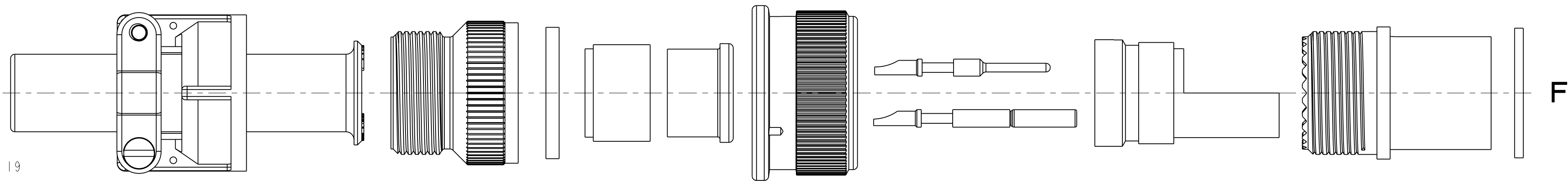
E



AD



AF



T

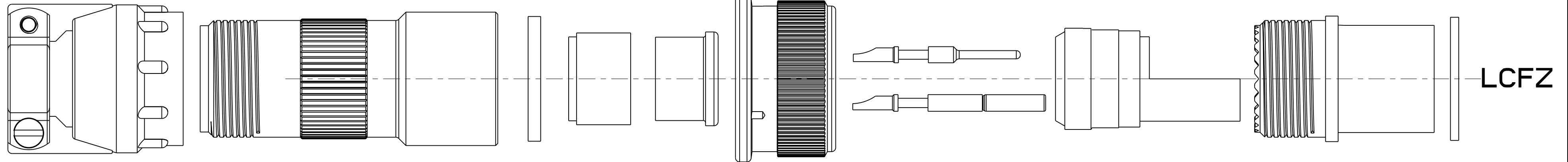
SEE SHEET 19

### NOTES:

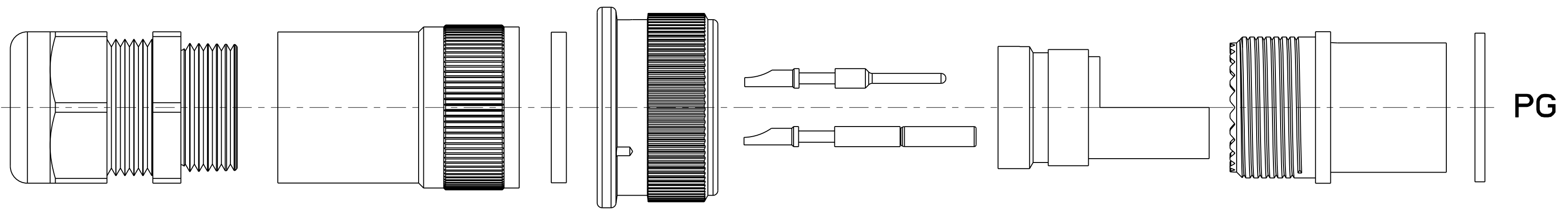
THE USE OF THIS DOCUMENT IS UNLIMITED.  
HOWEVER, DOCUMENTS REFERENCED HEREON  
MAY CONTAIN LIMITED RIGHTS DATA.

|                  |                          |                                  |                  |
|------------------|--------------------------|----------------------------------|------------------|
| SIZE<br><b>C</b> | FSCM NO.<br><b>77820</b> | DOCUMENT NO.<br><b>AC SERIES</b> | REV.<br><b>G</b> |
| SCALE: 1.0       | REF: N/A                 | SHEET 14 OF 20                   |                  |

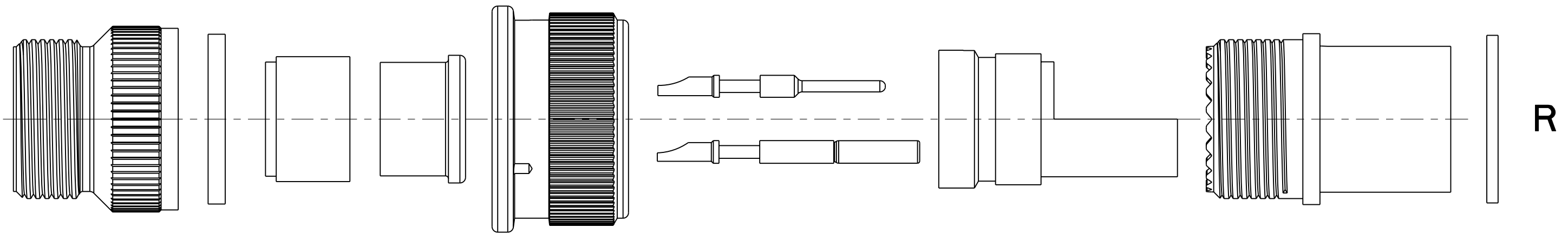
# AC( )06( )



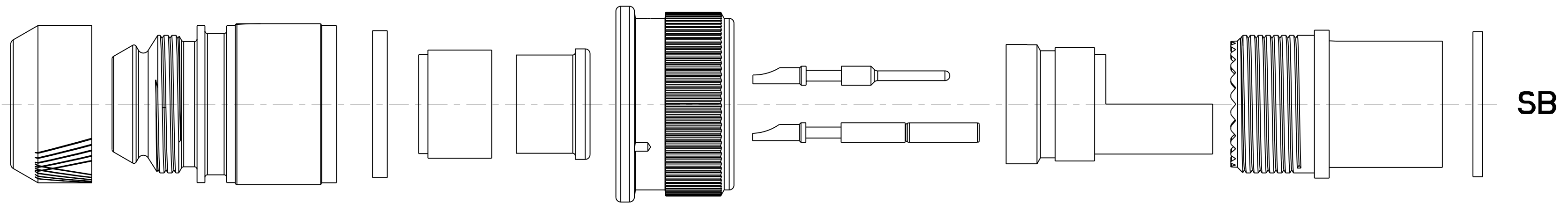
LCFZ



PG



R



SB

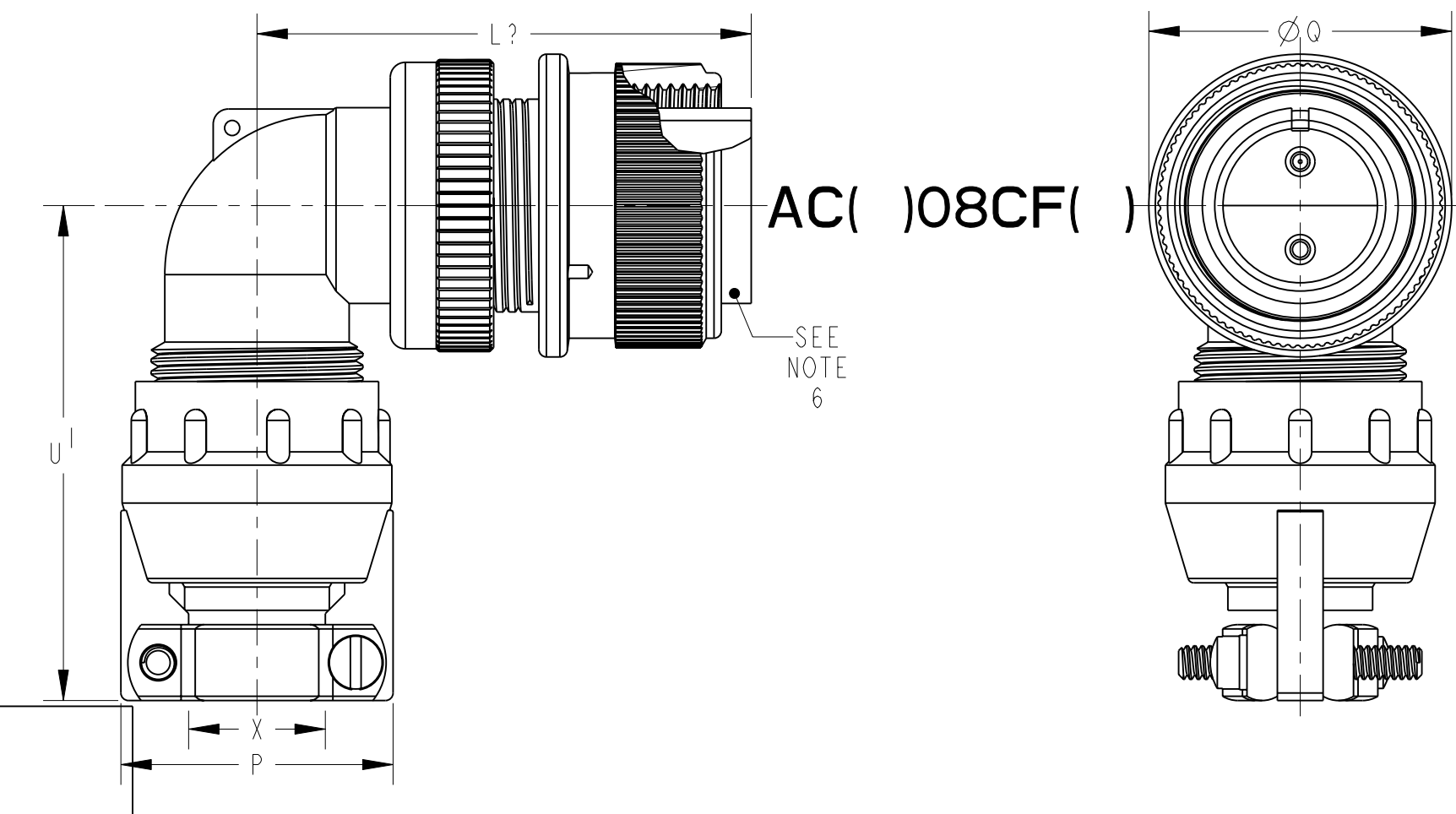
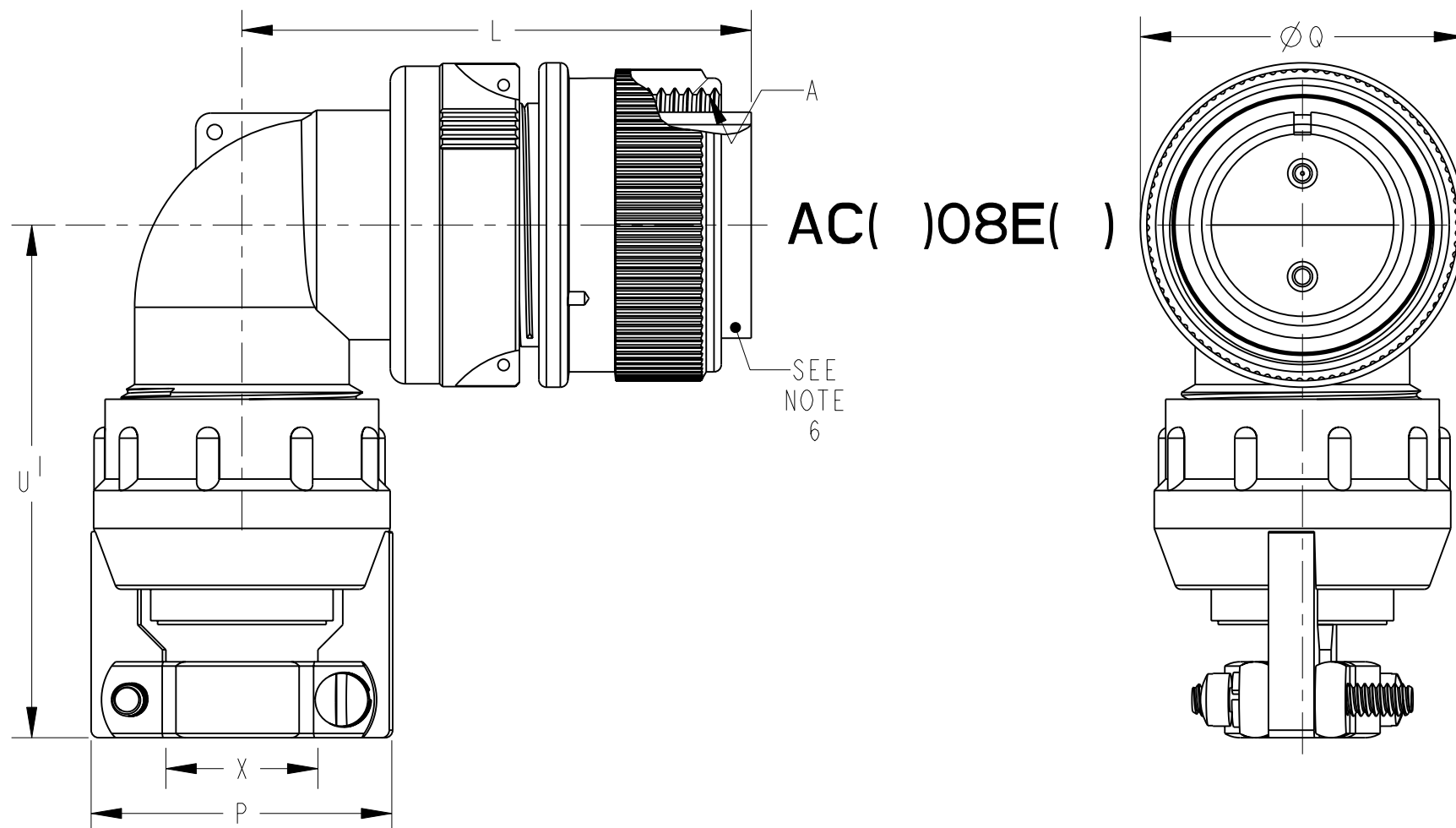
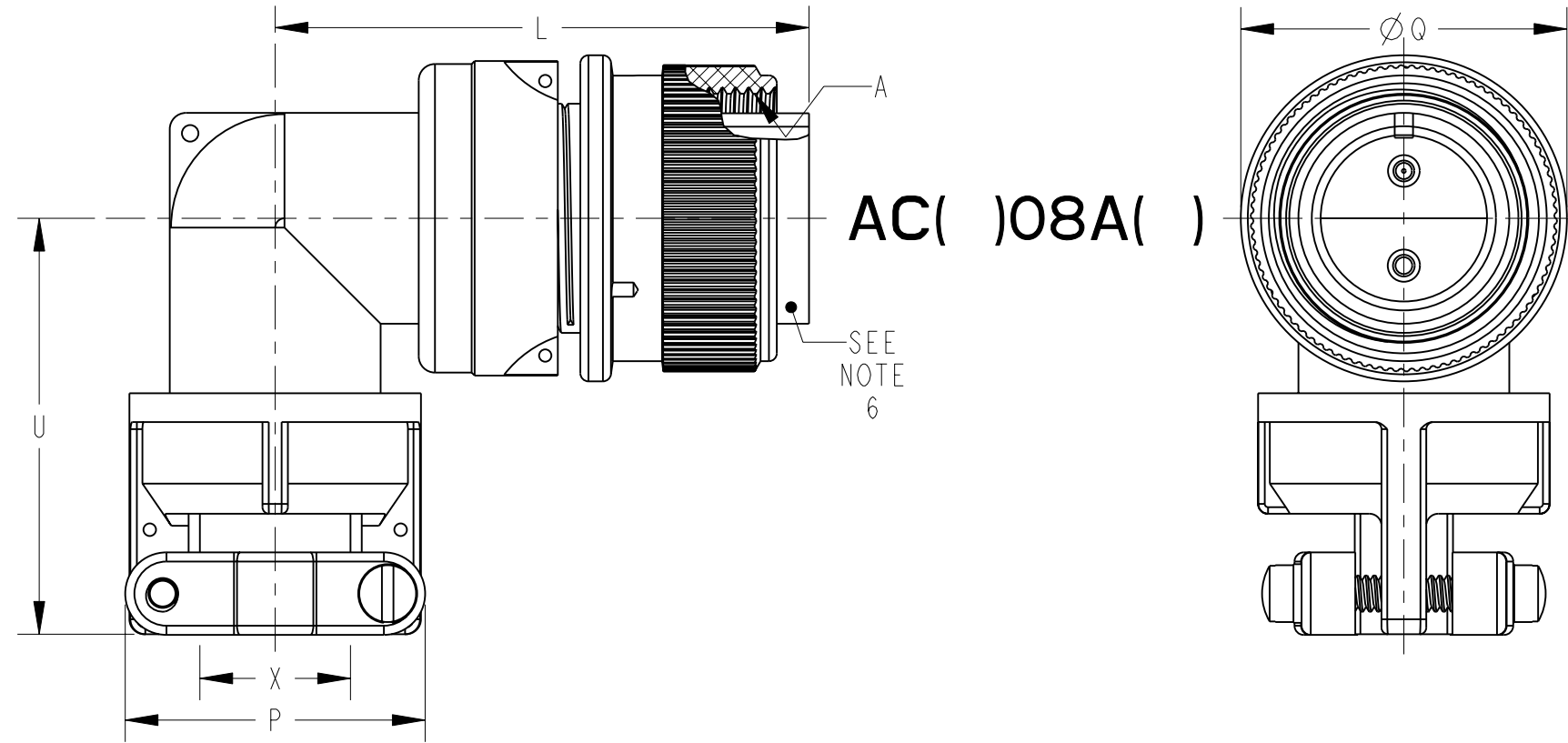
SEE SHEET 19.

### NOTES:

THE USE OF THIS DOCUMENT IS UNLIMITED.  
HOWEVER, DOCUMENTS REFERENCED HEREON  
MAY CONTAIN LIMITED RIGHTS DATA.

|                  |                          |                                  |                  |
|------------------|--------------------------|----------------------------------|------------------|
| SIZE<br><b>C</b> | FSCM NO.<br><b>77820</b> | DOCUMENT NO.<br><b>AC SERIES</b> | REV.<br><b>G</b> |
| SCALE: 1.0       | REF: N/A                 | SHEET 15 OF 20                   |                  |

# AC( )08( )



SEE SHEET 19

### NOTES:

THE USE OF THIS DOCUMENT IS UNLIMITED. HOWEVER, DOCUMENTS REFERENCED HEREON MAY CONTAIN LIMITED RIGHTS DATA.

|                  |                          |                                  |                  |
|------------------|--------------------------|----------------------------------|------------------|
| SIZE<br><b>C</b> | FSCM NO.<br><b>77820</b> | DOCUMENT NO.<br><b>AC SERIES</b> | REV.<br><b>G</b> |
| SCALE: NONE      | REF: N/A                 | SHEET 16 OF 20                   |                  |



# AC( )08( )

| SHELL SIZE | A<br>THREAD<br>CLASS 2B | L<br>MAX | L <sup>I</sup><br>MAX | P<br>MAX | Q<br>DIA<br>MAX | U<br>MAX | U <sup>I</sup><br>MAX | X<br>MAX<br>O.D.<br>CABLE |
|------------|-------------------------|----------|-----------------------|----------|-----------------|----------|-----------------------|---------------------------|
| 10SL       | .6250-24 UNEF           | 1.492    | 1.492                 | .906     | .946            | 1.305    | 1.812                 | .312                      |
| 12S        | .7500-20 UNEF           | 1.492    | 1.492                 | .906     | .995            | 1.305    | 1.812                 | .312                      |
| 12         | .7500-20 UNEF           | 1.867    | 1.867                 | .906     | .995            | 1.305    | 1.812                 | .312                      |
| 14S        | .8750-20 UNEF           | 1.556    | 1.556                 | 1.031    | 1.123           | 1.485    | 1.875                 | .438                      |
| 14         | .8750-20 UNEF           | 1.931    | 1.931                 | 1.031    | 1.123           | 1.485    | 1.875                 | .438                      |
| 16S        | 1.0000-20 UNEF          | 1.682    | 1.682                 | 1.125    | 1.250           | 1.612    | 1.937                 | .531                      |
| 16         | 1.0000-20 UNEF          | 2.057    | 2.057                 | 1.125    | 1.250           | 1.612    | 1.937                 | .531                      |
| 18         | 1.1250-18 UNEF          | 2.119    | 2.119                 | 1.234    | 1.333           | 1.738    | 2.109                 | .625                      |
| 20         | 1.2500-18 UNEF          | 2.369    | 2.322                 | 1.484    | 1.461           | 1.800    | 2.187                 | .750                      |
| 22         | 1.3750-18 UNEF          | 2.369    | 2.322                 | 1.484    | 1.588           | 1.862    | 2.250                 | .750                      |
| 24         | 1.5000-18 UNEF          | 2.620    | 2.510                 | 1.683    | 1.715           | 2.100    | 2.484                 | .938                      |
| 28         | 1.7500-18 UNS           | 2.620    | 2.510                 | 1.683    | 1.968           | 2.162    | 2.546                 | .938                      |
| 32         | 2.0000-18 UNS           | 2.842    | 2.744                 | 2.188    | 2.209           | 2.405    | 3.045                 | 1.250                     |
| 36         | 2.2500-16 UN            | 2.900    | 2.869                 | 2.344    | 2.463           | 2.536    | 3.218                 | 1.375                     |
| 40         | 2.5000-16 UN            | 3.025    | 2.994                 | 2.688    | 2.719           | 3.206    | 3.375                 | 1.625                     |

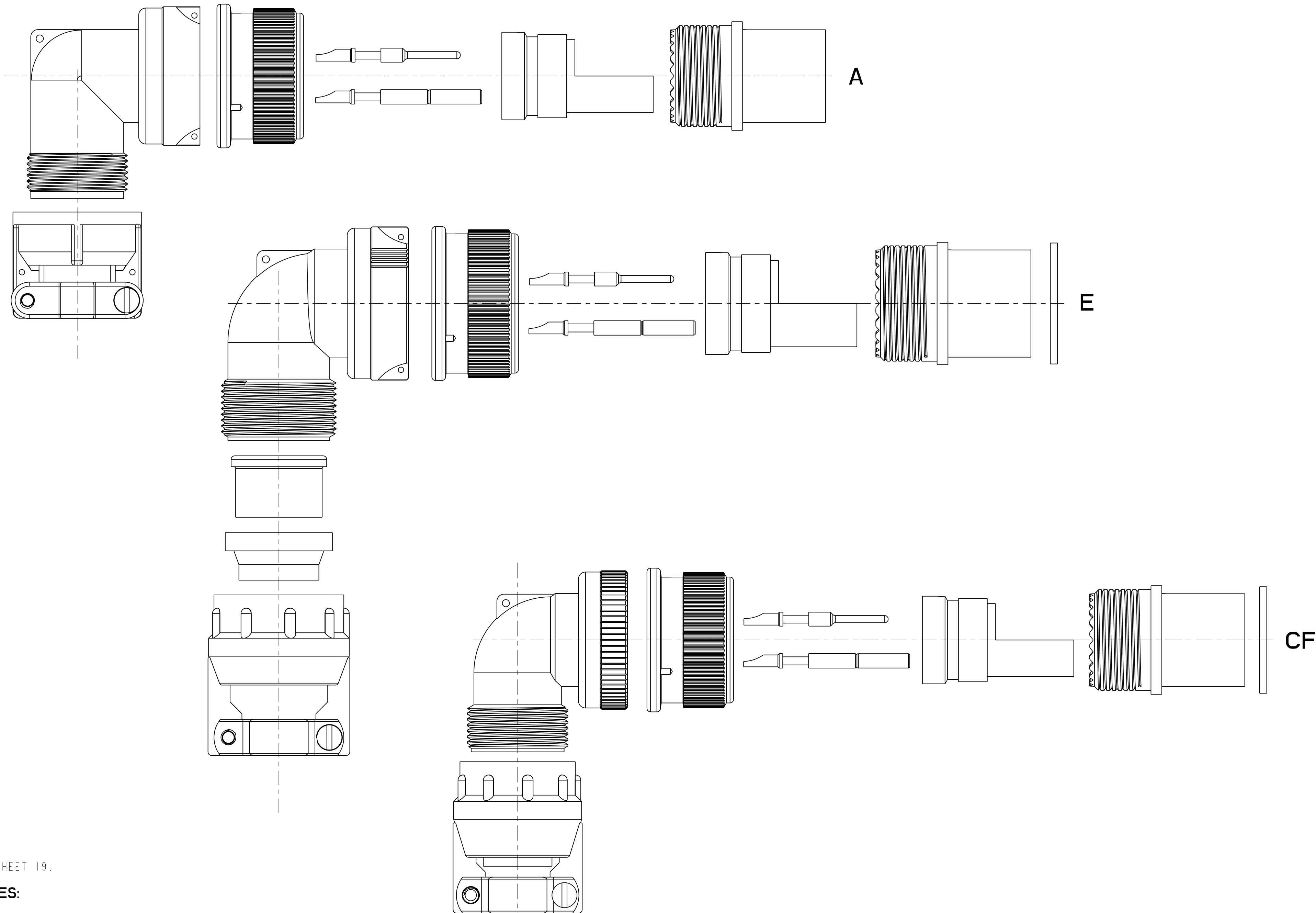
SEE SHEET 19  
**NOTES:**

THE USE OF THIS DOCUMENT IS UNLIMITED.  
HOWEVER, DOCUMENTS REFERENCED HEREON  
MAY CONTAIN LIMITED RIGHTS DATA.

|                  |                          |                                  |                  |
|------------------|--------------------------|----------------------------------|------------------|
| SIZE<br><b>C</b> | FSCM NO.<br><b>77820</b> | DOCUMENT NO.<br><b>AC SERIES</b> | REV.<br><b>G</b> |
| SCALE: NONE      | REF: N/A                 | SHEET 17 OF 19                   |                  |

16 OF 19  
AC SERIES

# AC( )08( )



SEE SHEET 19.

**NOTES:**

THE USE OF THIS DOCUMENT IS UNLIMITED.  
HOWEVER, DOCUMENTS REFERENCED HEREON  
MAY CONTAIN LIMITED RIGHTS DATA.

|                  |                          |                                  |                  |
|------------------|--------------------------|----------------------------------|------------------|
| SIZE<br><b>C</b> | FSCM NO.<br><b>77820</b> | DOCUMENT NO.<br><b>AC SERIES</b> | REV.<br><b>G</b> |
| SCALE: NONE      | REF: N/A                 | SHEET 18 OF 20                   |                  |

| CRIMP WELL DATA                              |           |  |  |  |  |
|--|-----------|--|--|--|--|
| CONTACT SIZE                                 | 0         | 4                                      | 8                                      | 12                                     | 16                                     |
| WELL DIA                                     | .453±.005 | .281 <sup>+.005</sup> <sub>-.004</sub> | .179 <sup>+.004</sup> <sub>-.002</sub> | .098 <sup>+.004</sup> <sub>-.001</sub> | .063 <sup>+.004</sup> <sub>-.001</sub> |
| WELL DEPTH <sup>+.031</sup> <sub>-.000</sub> | .592      | .500                                   | .500                                   | .250                                   | .250                                   |

| SOLDER WELL DATA                             |  |  |  |  |  |
|--|--|--|--|--|--|
| CONTACT SIZE                                 | 0                                      | 4                                      | 8                                      | 12                                     | 16                                     |
| WELL DIA                                     | .469 <sup>+.005</sup> <sub>-.003</sub> | .332 <sup>+.005</sup> <sub>-.003</sub> | .209 <sup>+.004</sup> <sub>-.002</sub> | .116 <sup>+.004</sup> <sub>-.002</sub> | .078 <sup>+.004</sup> <sub>-.002</sub> |
| WELL DEPTH <sup>+.031</sup> <sub>-.000</sub> | .625                                   | .625                                   | .500                                   | .375                                   | .250                                   |

7. PROCESS SPECIFICATIONS: (SEE NOTES 8 AND 9)

| TYPE                    | A  | E  | F  | R  | AD                                       | AF                                       | LCFZ                                     | PG                                       | SB                                       |
|-------------------------|--|--|--|--|--|--|--|--|--|
| ACS00<br>ACS01<br>ACS02 | ASSEMBLY<br>9-3103-1<br>TEST<br>9-3106-5 | ASSEMBLY<br>9-3238-1<br>TEST<br>9-3106-1 | ASSEMBLY<br>9-3238-1<br>TEST<br>9-3106-5 | ASSEMBLY<br>9-3238-1<br>TEST<br>9-3106-1 | ASSEMBLY<br>9-3103-1<br>TEST<br>9-3106-5 | ASSEMBLY<br>9-3103-1<br>TEST<br>9-3106-5 | ASSEMBLY<br>9-3238-1<br>TEST<br>9-3106-1 | ASSEMBLY<br>9-3238-1<br>TEST<br>9-3106-5 | ASSEMBLY<br>9-3238-1<br>TEST<br>9-3106-5 |
| ACS06<br>ACS08          | ASSEMBLY<br>9-3103-1<br>TEST<br>9-3106-5 | ASSEMBLY<br>9-3103-1<br>TEST<br>9-3106-5 | ASSEMBLY<br>9-3103-1<br>TEST<br>9-3106-5 | ASSEMBLY<br>9-3103-1<br>TEST<br>9-3106-5 | ASSEMBLY<br>9-3103-1<br>TEST<br>9-3106-5 | ASSEMBLY<br>9-3103-1<br>TEST<br>9-3106-5 | ASSEMBLY<br>9-3103-1<br>TEST<br>9-3106-5 | ASSEMBLY<br>9-3103-1<br>TEST<br>9-3106-5 | ASSEMBLY<br>9-3103-1<br>TEST<br>9-3106-5 |
| ACC00<br>ACC01<br>ACC02 | ASSEMBLY<br>9-3104-1<br>TEST<br>9-3106-5 | ASSEMBLY<br>9-3104-1<br>TEST<br>9-3106-5 | ASSEMBLY<br>9-3104-1<br>TEST<br>9-3106-5 | ASSEMBLY<br>9-3104-1<br>TEST<br>9-3106-5 | ASSEMBLY<br>9-3104-1<br>TEST<br>9-3106-5 | ASSEMBLY<br>9-3104-1<br>TEST<br>9-3106-5 | ASSEMBLY<br>9-3104-1<br>TEST<br>9-3106-5 | ASSEMBLY<br>9-3104-1<br>TEST<br>9-3106-5 | ASSEMBLY<br>9-3104-1<br>TEST<br>9-3106-5 |
| ACC06<br>ACC08          | ASSEMBLY<br>9-3104-1<br>TEST<br>9-3106-5 | ASSEMBLY<br>9-3104-1<br>TEST<br>9-3106-5 | ASSEMBLY<br>9-3104-1<br>TEST<br>9-3106-5 | ASSEMBLY<br>9-3104-1<br>TEST<br>9-3106-5 | ASSEMBLY<br>9-3104-1<br>TEST<br>9-3106-5 | ASSEMBLY<br>9-3104-1<br>TEST<br>9-3106-5 | ASSEMBLY<br>9-3104-1<br>TEST<br>9-3106-5 | ASSEMBLY<br>9-3104-1<br>TEST<br>9-3106-5 | ASSEMBLY<br>9-3104-1<br>TEST<br>9-3106-5 |

6. STAMP INDICATED SURFACE IN A CONTRASTING COLOR PER WORK ORDER. IF NOTHING SPECIFIED ON WORK ORDER, STAMP CODED AC NUMBER, "AMPHENOL" AND DATE CODE (PER 9-3895). CHARACTER HEIGHT TO BE .062 MINIMUM.

5. ALL DIMENSIONS ARE FOR REFERENCE ONLY.

4. SEE SPEARATE PART LIST FOR COMPONENT PART NUMBERS AND QUANTITIES.

3. CRIMP CONTACTS ARE SHIPPED UNASSEMBLED.  
SOLDER CONTACTS AND ALL INSERTS ARE NOT REMOVABLE.

2. FOR CONTACT SIZE, SPACING AND SERVICE RATING, SEE MIL-STD-1651 OR L-11908/48-( ).

1. UNIT MEETS ALL APPLICABLE REQUIREMENTS OF MIL-C-5015.

9. IF PART NUMBER CONTAINS MODIFIER "L", SUBSTITUTE ASSEMBLY SPECIFICATIONS 9-5336-5 FOR ACSL( ) AND 9-5336-1 FOR ACCL( ).

8. FOR ACC( )E, ACC( )F, ACC( )PG, ACC( )R, AND ACC( )LCFZ, CONTACTS MUST BE BONDED IN BY CUSTOMER WITH A SUITABLE EPOXY.

**NOTES:**

THE USE OF THIS DOCUMENT IS UNLIMITED.  
HOWEVER, DOCUMENTS REFERENCED HEREON  
MAY CONTAIN LIMITED RIGHTS DATA.

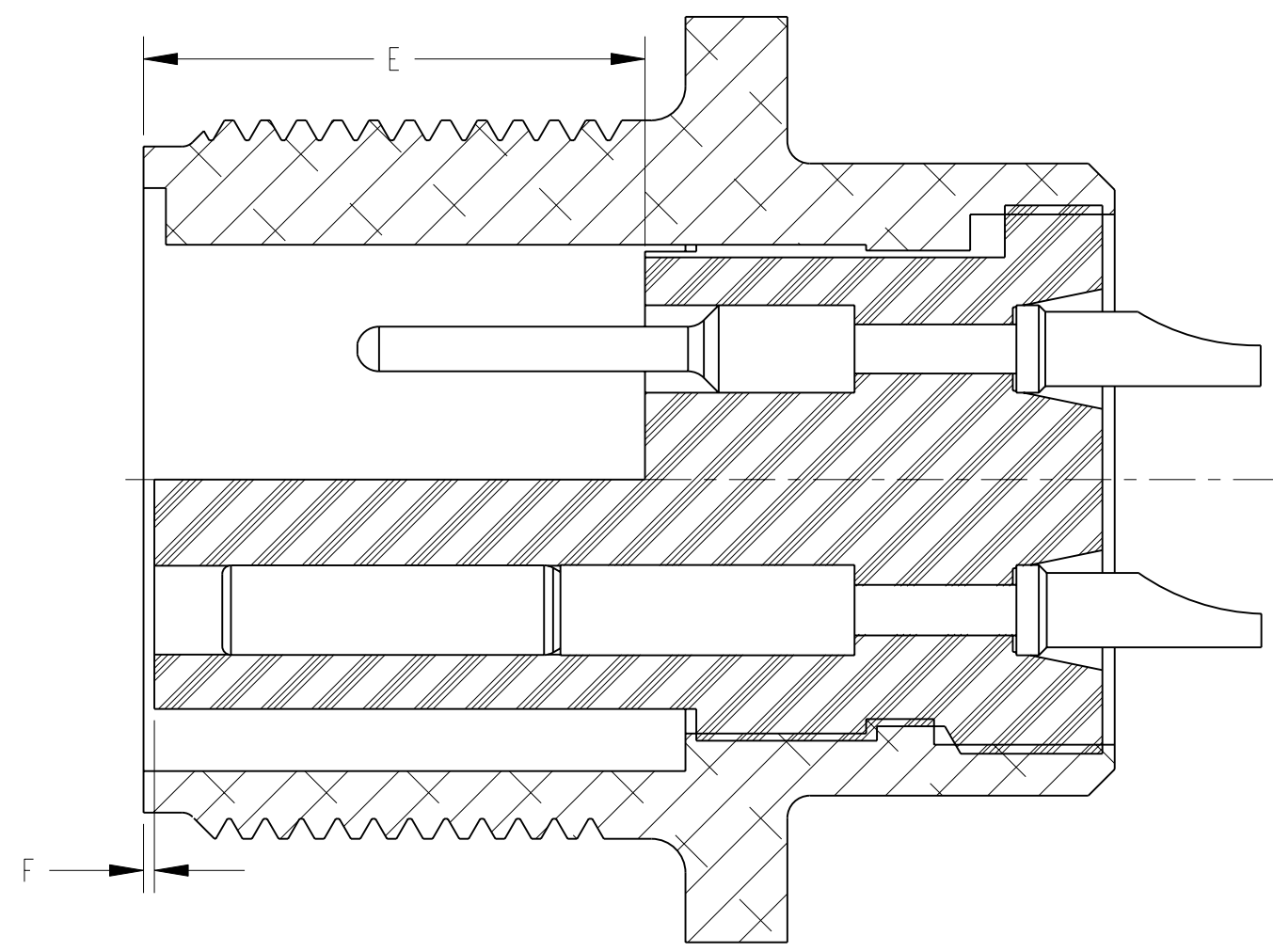
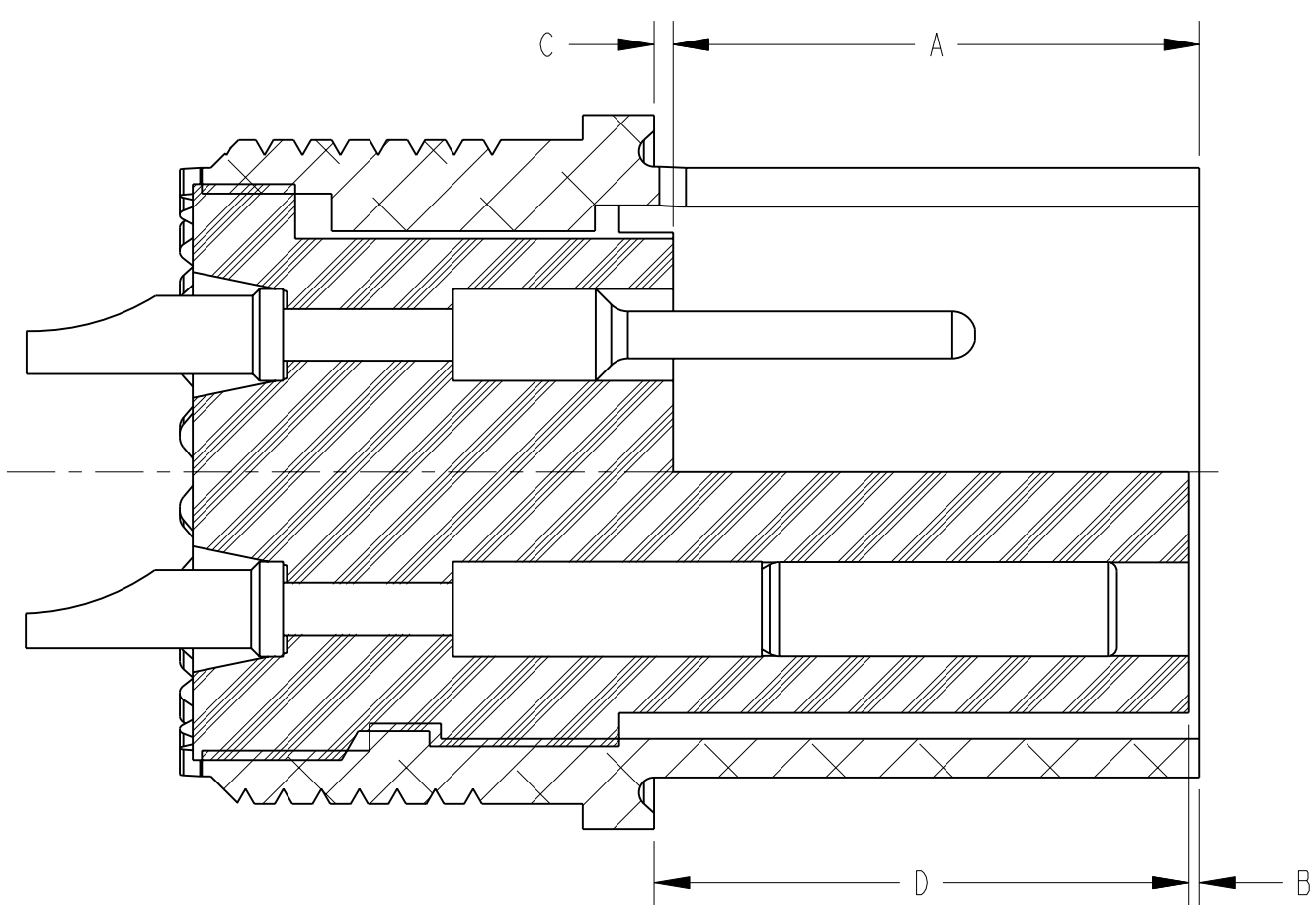
|                  |                          |                                  |                  |
|------------------|--------------------------|----------------------------------|------------------|
| SIZE<br><b>C</b> | FSCM NO.<br><b>77820</b> | DOCUMENT NO.<br><b>AC SERIES</b> | REV.<br><b>G</b> |
| SCALE: NONE      | REF: N/A                 | SHEET 19 OF 20                   |                  |

AC SERIES

18 OF 19

TAB.

| AN<br>MS<br>SIZE | AMPHENOL<br>EQUIVALENT | RB CONNL, & CONN. STAMPED "AN" |                     |                     |                     | AN REF, MS, MS REF & QWL |                     |            |                     |      |      |    |      |      |      |  |  |  |      |      |      |      |      |      |      |  |  |  |  |      |      |      |      |  |  |  |
|------------------|------------------------|--------------------------------|---------------------|---------------------|---------------------|--------------------------|---------------------|------------|---------------------|------|------|----|------|------|------|--|--|--|------|------|------|------|------|------|------|--|--|--|--|------|------|------|------|--|--|--|
|                  |                        | A<br>+.016<br>-.047            | B<br>+.016<br>-.047 | E<br>+.016<br>-.047 | F<br>+.016<br>-.047 | C<br>±.031               | D<br>+.047<br>-.000 | E<br>±.031 | F<br>+.000<br>-.047 |      |      |    |      |      |      |  |  |  |      |      |      |      |      |      |      |  |  |  |  |      |      |      |      |  |  |  |
| 8S               | 8                      | .492                           |                     |                     | .000                | .047                     |                     |            | .000                |      |      |    |      |      |      |  |  |  |      |      |      |      |      |      |      |  |  |  |  |      |      |      |      |  |  |  |
| 10S              | 10                     | .492                           |                     |                     | .000                | .047                     |                     |            | .000                |      |      |    |      |      |      |  |  |  |      |      |      |      |      |      |      |  |  |  |  |      |      |      |      |  |  |  |
| 10SL             | 11                     | --                             |                     |                     | .492                | --                       |                     |            | --                  | .531 | .484 | -- |      |      |      |  |  |  |      |      |      |      |      |      |      |  |  |  |  |      |      |      |      |  |  |  |
| 12S              | 12                     | .492                           |                     |                     |                     |                          |                     |            |                     |      |      |    |      |      |      |  |  |  |      |      |      |      |      |      |      |  |  |  |  |      |      |      |      |  |  |  |
| 12               | 13                     | .679                           |                     |                     |                     |                          |                     |            |                     |      |      |    | .679 | .719 | .672 |  |  |  |      |      |      |      |      |      |      |  |  |  |  |      |      |      |      |  |  |  |
| 14S              | 14                     | .492                           |                     |                     |                     |                          |                     |            |                     |      |      |    | .492 | .531 | .484 |  |  |  |      |      |      |      |      |      |      |  |  |  |  |      |      |      |      |  |  |  |
| 14               | 15                     | .679                           |                     |                     |                     |                          |                     |            |                     |      |      |    | .679 | .719 | .672 |  |  |  |      |      |      |      |      |      |      |  |  |  |  |      |      |      |      |  |  |  |
| 16S              | 16                     | .492                           |                     |                     |                     |                          |                     |            |                     |      |      |    | .492 | .531 | .484 |  |  |  |      |      |      |      |      |      |      |  |  |  |  |      |      |      |      |  |  |  |
| 16               | 17                     |                                |                     |                     |                     |                          |                     |            |                     |      |      |    |      |      |      |  |  |  |      |      |      |      |      |      |      |  |  |  |  |      |      |      |      |  |  |  |
| 18               | 18                     |                                |                     |                     |                     |                          |                     |            |                     |      |      |    |      |      |      |  |  |  | .000 | .000 | .047 | .000 |      |      |      |  |  |  |  |      |      |      |      |  |  |  |
| 20               | 20                     |                                |                     |                     |                     |                          |                     |            |                     |      |      |    |      |      |      |  |  |  |      |      |      |      |      |      |      |  |  |  |  |      |      |      |      |  |  |  |
| 22               | 22                     |                                |                     |                     |                     |                          |                     |            |                     |      |      |    |      |      |      |  |  |  |      |      |      | .679 | .679 | .719 | .672 |  |  |  |  |      |      |      |      |  |  |  |
| 24               | 24                     |                                |                     |                     |                     |                          |                     |            |                     |      |      |    |      |      |      |  |  |  |      |      |      |      |      |      |      |  |  |  |  |      |      |      |      |  |  |  |
| 28               | 28                     |                                |                     |                     | .679                | .679                     |                     |            | .719                | .672 |      |    |      |      |      |  |  |  |      |      |      |      |      |      |      |  |  |  |  |      |      |      |      |  |  |  |
| 32               | 32                     |                                |                     |                     |                     |                          |                     |            |                     |      |      |    |      |      |      |  |  |  |      |      |      |      |      |      |      |  |  |  |  |      |      |      |      |  |  |  |
| 36               | 36                     |                                |                     |                     |                     |                          |                     |            |                     |      |      |    |      |      |      |  |  |  |      |      |      |      |      |      |      |  |  |  |  | .679 | .679 | .719 | .672 |  |  |  |
| 40               | 40                     |                                |                     |                     |                     |                          |                     |            |                     |      |      |    |      |      |      |  |  |  |      |      |      |      |      |      |      |  |  |  |  |      |      |      |      |  |  |  |
| 44               | 44                     |                                |                     |                     |                     |                          |                     |            |                     |      |      |    |      |      |      |  |  |  |      |      |      |      |      |      |      |  |  |  |  |      |      |      |      |  |  |  |
| 48               | 48                     | .679                           |                     |                     |                     |                          |                     |            |                     |      |      |    | .679 | .719 | .672 |  |  |  |      |      |      |      |      |      |      |  |  |  |  |      |      |      |      |  |  |  |



SEE SHEET 19.

NOTES:

THE USE OF THIS DOCUMENT IS UNLIMITED.  
HOWEVER, DOCUMENTS REFERENCED HEREON  
MAY CONTAIN LIMITED RIGHTS DATA.

|                  |                          |                                  |                  |
|------------------|--------------------------|----------------------------------|------------------|
| SIZE<br><b>C</b> | FSCM NO.<br><b>77820</b> | DOCUMENT NO.<br><b>AC SERIES</b> | REV.<br><b>G</b> |
| SCALE: NONE      | REF: N/A                 | SHEET 20 OF 20                   |                  |

TAB

# Mouser Electronics

Authorized Distributor

Click to View Pricing, Inventory, Delivery & Lifecycle Information:

## Amphenol:

[ACC02E22-22P\(025\)](#) [ACC02E28-6P\(025\)](#) [ACC02E22-7P\(025\)](#) [ACC06E16-12R\(025\)](#) [ACC06E20-19R\(025\)](#)  
[ACC02E22-1P\(025\)](#) [ACC06E32-17R\(025\)](#) [ACC02E32-5P\(025\)](#) [ACC02E36-5P\(025\)](#) [ACC02E32-17P\(025\)](#)  
[ACC06E18-7R\(025\)](#) [ACS06E12S3S](#) [ACS06E14S7S](#) [ACC06AF-10SL-4S\(025\)](#) [ACC06AF-20-27S\(025\)](#) [ACC06E-24-28S\(025\)](#) [ACS01AF-18-9P\(025\)](#) [ACS06AF-10SL-3S\(025\)](#) [ACS06AF-10SL-4S\(025\)](#) [ACS06AF-18-1S\(025\)](#) [ACS06AF-20-27S\(025\)](#) [ACS06AF-20-8S\(025\)](#) [ACS06AF-20-8SW\(025\)](#) [ACS06E-18-1S](#) [ACS06F-18-11S\(025\)](#) [ACC06AF-18-1S\(025\)](#) [ACS02E-18-3P\(025\)](#) [ACS06E-16S-1S\(472\)](#) [ACS02E-20-29S\(003\)](#) [ACC02E181P\(025\)](#) [ACS02E-28-18S\(472\)](#)  
[ACC06AF-20-27P\(025\)](#) [ACC00E20-19R\(025\)](#) [ACC02A32-5R\(023\)](#) [ACC02A32-6R\(023\)](#) [ACC02E20-24R\(023\)](#)  
[ACC02E28-AYR\(025\)](#) [ACC06E24-22R\(027\)](#) [ACC00F36-5P\(003\)](#) [ACC00E20-19R\(003\)](#) [ACC02A24-22R\(003\)](#)  
[ACC02E22-12R\(003\)](#) [ACC02E22-1R\(003\)](#) [ACC02E28-5R\(003\)](#) [ACC02E36-5R\(003\)](#) [ACC06CF20-2R\(003\)](#)  
[ACC06E16-12R\(003\)](#) [ACC06E24-9R\(003\)](#) [ACC06E28-5R\(003\)](#) [ACC06F36-5R\(003\)](#) [ACC08E22-1R\(003\)](#) [ACC06AF-18-1P\(025\)](#) [ACC06E22-1R\(025\)](#) [ACC06E22-22R\(025\)](#) [ACC02E20-19P\(025\)](#) [ACC06E24-9R\(025\)](#) [ACC06E28-6R\(025\)](#) [ACC06E22-7R\(025\)](#) [ACC02E18-7P\(025\)](#) [ACC02E16-12P\(025\)](#) [ACC06E36-5R\(025\)](#) [ACC06E32-5R\(025\)](#)  
[ACC02E24-9P\(025\)](#) [ACS02E-14S-6S\(003\)](#) [ACS02E-16S-1S\(003\)](#) [ACS02E18-1P\(027\)](#) [ACS02E-28-15P\(003\)](#)  
[ACS02E-28-15S\(003\)](#) [ACS06F-10SL-4S\(003\)](#) [ACC02E20-4S\(003\)](#) [ACC02E22-23S\(003\)](#) [ACC06E20-29S\(003\)](#)  
[ACC06E22-23P\(003\)](#) [ACC06F10SL-4S\(003\)](#) [ACC08E22-11S\(003\)](#) [ACS01F10SL-4P\(003\)](#) [ACS02E18-10P\(003\)](#)  
[ACS02E20-7S\(003\)](#) [ACS06E14S-2S\(023\)](#) [ACS06E14S-6P\(003\)](#) [ACS06E14S-6S\(003\)](#) [ACS02E14S-2P\(023\)](#)  
[ACC06AF-12S-3S\(025\)](#) [ACS06AF-14S-2S\(025\)](#) [ACS06AF-14S-7S\(025\)](#) [ACS02E-14S-6P\(025\)](#) [ACS02E-18-1S](#)  
[ACS05E-18-1S\(025\)](#) [ACS02E16S-1P\(472\)](#) [ACC02E28-51P\(003\)](#) [ACC06E28-51S\(003\)](#) [ACC02E24-2P\(003\)](#)  
[ACC02E32-14P\(003\)](#) [ACC06E24-2S\(003\)](#) [ACC06E32-14S\(003\)](#) [ACC02E242PW003](#) [ACS01E2851P003](#)  
[ACS06AF12S3S025](#) [ACS01AF14S7P025](#) [ACC06E246S003](#)