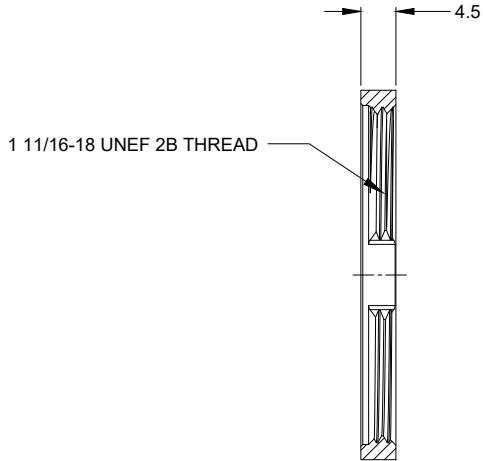
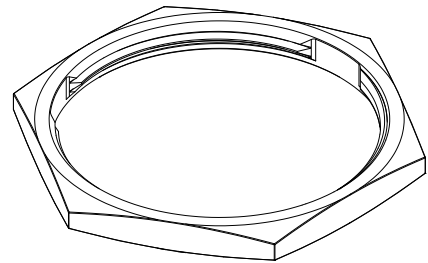
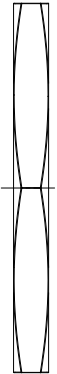
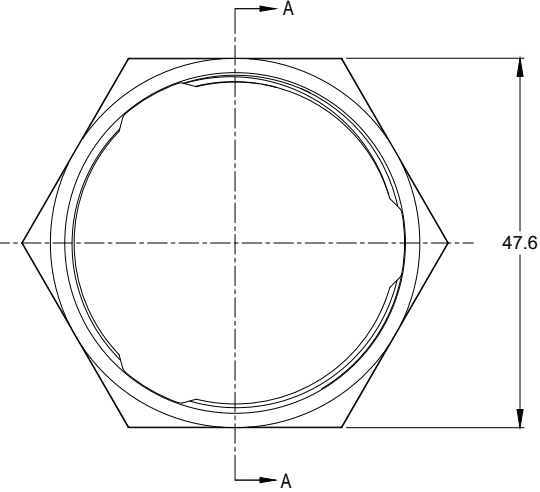


REVISIONS					
REV	ECO	DESCRIPTION	DATE	BY	APPR
A1	--	RELEASE NEW DRAWING	26/SEP/18	ROOKIE	TOMMY



SECTION A-A



NOTES: UNLESS OTHERWISE SPECIFIED

1. MATERIAL: ALUMINIUM ALLOY, NICKEL PLATED.
2. USE WITH AHDM SERIES SIZE 24 RECEPTACLE.
3. RoHS COMPLIANT.
4. ALL DIMENSIONS ARE FOR REFERENCE USE ONLY.

TITLE: NUT, AHDM SERIES, SIZE 24
 DWG NO: A112263-90
 REV: A1
 SH: 1
 OF: 1

A112263-90		DESCRIPTION		ITEM
PART NUMBER		DESCRIPTION		ITEM
QUANTITY				
MATERIALS LIST				
UNLESS OTHERWISE SPECIFIED		SIGNATURES		DATE
1) All dimensions are in metric(mm).		DRAWN: ROOKIE		26/SEP/18
2) Tolerances are as follows:		CHECKED: ORION		26/SEP/18
1 PL DEC ±0.30		ENGINEER:		
2 PL DEC ±0.15		APPROVAL: TOMMY		26/SEP/18
3 PL DEC ±0.08		CUSTOMER:		
3) Note reference =		THIS DRAWING IS SUPPLIED FOR INFORMATION ONLY. DESIGN FEATURES, SPECIFICATIONS AND PERFORMANCE DATA SHOWN HEREON ARE THE PROPERTY OF THE AMPHENOL CORPORATION. NO RIGHTS OF REPRODUCTION ARE IMPLIED. ALL DIMENSIONS ARE SUBJECT TO NORMAL MANUFACTURING VARIATIONS.		
MATERIAL SPECIFICATIONS:		SIZE		REVISION
PROCESS SPECIFICATIONS:		B C-		A1
NEXT ASSY:		SCALE: NONE		
		DWG NO: A112263-90		
		SINE SYSTEMS - www.amphenol-sine.com 44724 Morley Drive Clinton Township, MI 48036		
		NUT, AHDM SERIES, SIZE 24		
		SHEET 1 OF 1		