

DAUGHTERCARD HOLE PATTERN (CONNECTOR SIDE)

NOTES:

- MATERIALS: HOUSING - LIQUID CRYSTAL POLYMER (LCP) GLASS-FILLED, UL 94V-0
TERMINALS - HIGH PERFORMANCE COPPER ALLOY
- FINISH: SELECTIVE GOLD (Au) IN CONTACT AREA,
SELECTIVE MATTE TIN (Sn) IN TAIL AREA,
NICKEL (Ni) UNDERPLATE OVERALL.
- REFER TO MOLEX PRODUCT SPEC PS-75710-999 FOR PERFORMANCE SPECIFICATIONS.
- PRODUCT IS PACKAGED PER PK-70873-607.
- THIS PART CONFORMS TO CLASS B REQUIREMENTS OF COSMETIC SPEC PS-45499-002.
- MAPS (MOLEX ADVANCED PLATING SYSTEM).

REV	DESCRIPTION	QUALITY SYMBOLS	GENERAL TOLERANCES (UNLESS SPECIFIED)		DIMENSION STYLE	SCALE	DESIGN UNITS	THIRD ANGLE PROJECTION
			mm	INCH	MM ONLY	4:1	METRIC	
			4 PLACES	± ---	± ---	DRAWN BY MCARRANZA	DATE 3/20/06	I-TRAC DAUGHTERCARD 7 ROW UNGUIDED SIGNAL MODULE molex
			3 PLACES	± ---	± ---	CHECKED BY JLAURX	DATE 3/21/06	
			2 PLACES	± 0.13	± ---	APPROVED BY JLAURX	DATE 3/21/06	
			1 PLACE	± 0.25	± ---	MATERIAL NO.	DOCUMENT NO.	
			0 PLACE	±	±	SEE CHART	SD-76020-001	
			ANGULAR ±1/2°			SHEET NO.		
			DRAFT WHERE APPLICABLE MUST REMAIN WITHIN DIMENSIONS			1 OF 2		
THIS DRAWING CONTAINS INFORMATION THAT IS PROPRIETARY TO MOLEX. INCORPORATED AND SHOULD NOT BE USED WITHOUT WRITTEN PERMISSION								


MATERIAL NUMBER	# OF COLUMNS	DIM. "A" MAX.	DIM. "B"
76020-*0*4	4	14.80	11.10
76020-*0*6	6	22.20	18.50
76020-*0*0	10	37.00	33.30

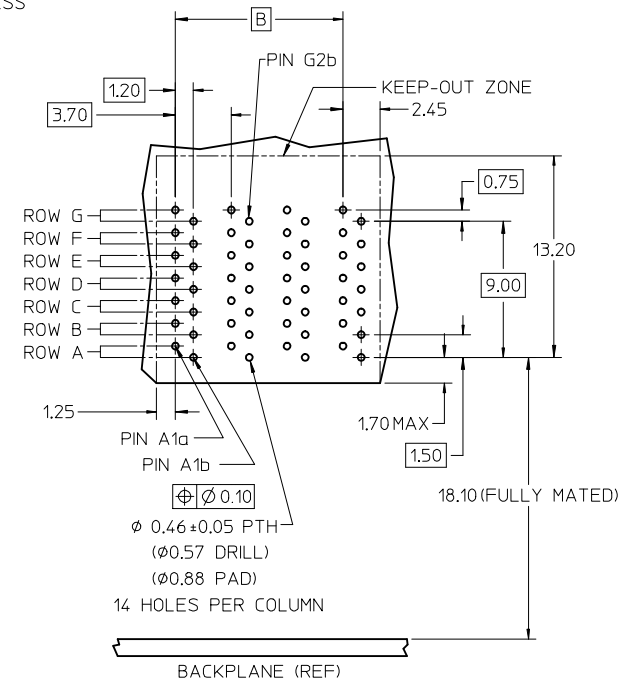
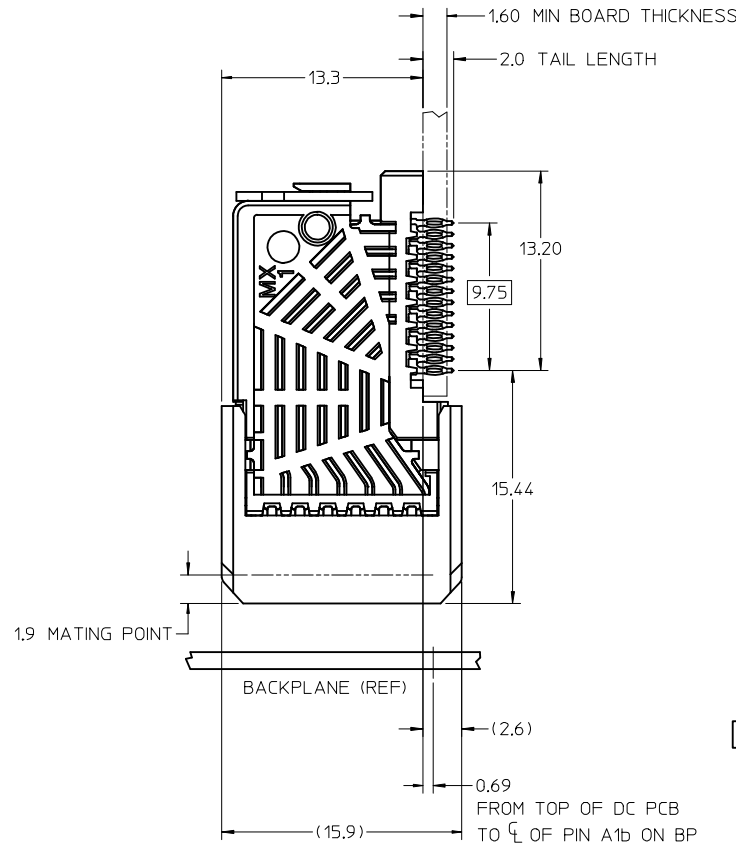
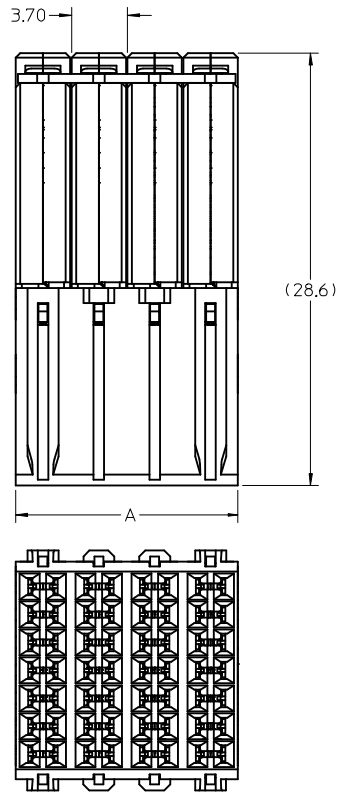
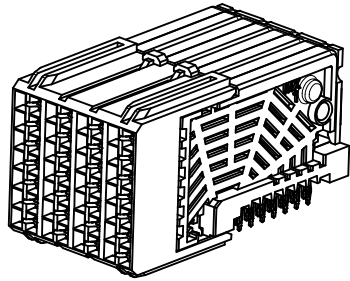
76020-*0**

MODULE STYLE AND TAIL PLATING TYPE
 0 = UNGUIDED, MATTE TIN (FORMERLY TIN/LEAD)
 1 = UNGUIDED, MATTE TIN

POLARIZATION KEY ORIENTATION
 0 = NO KEY

OF COLUMNS/PLATING
 04 = 4 COL, 30 GOLD
 06 = 6 COL, 30 GOLD
 10 = 10 COL, 30 GOLD
 44 = 4 COL, 10 GOLD (MAPS)
 46 = 6 COL, 10 GOLD (MAPS)
 40 = 10 COL, 10 GOLD (MAPS)
 54 = 4 COL, 50 GOLD
 56 = 6 COL, 50 GOLD
 50 = 10 COL, 50 GOLD

SEE SHEET 1 EC NO: UCP2014-3112 DRWN:WOLFE 2014/01/28 CHKD:SYANG 2014/01/28 APPR:SMILLER 2014/02/11	QUALITY SYMBOLS	GENERAL TOLERANCES (UNLESS SPECIFIED)	DIMENSION STYLE MM ONLY	SCALE 1:1	DESIGN UNITS METRIC	THIRD ANGLE PROJECTION
	▽=0	mm INCH	DRAWN BY DATE MCARRANZA 3/20/06	TITLE I-TRAC DAUGHTERCARD 7 ROW UNGUIDED SIGNAL MODULE		
	▽=0	4 PLACES ± --- ± --- 3 PLACES ± --- ± --- 2 PLACES ± 0.13 ± --- 1 PLACE ± 0.25 ± --- 0 PLACE ± ±	CHECKED BY DATE JLAURX 3/21/06			
	▽=0	ANGULAR ±1/2°	APPROVED BY DATE JLAURX 3/21/06			
REV	DESCRIPTION	DRAFT WHERE APPLICABLE MUST REMAIN WITHIN DIMENSIONS	MATERIAL NO. SEE CHART	DOCUMENT NO. SD-76020-001	SHEET NO. 2 OF 2	



DAUGHTERCARD HOLE PATTERN (CONNECTOR SIDE)

NOTES:

- MATERIALS: HOUSING - LIQUID CRYSTAL POLYMER (LCP)
GLASS-FILLED, UL 94V-0
TERMINALS - HIGH PERFORMANCE COPPER ALLOY
- FINISH: SELECTIVE GOLD (Au) IN CONTACT AREA,
SELECTIVE MATTE TIN (Sn) IN TAIL AREA,
NICKEL (Ni) UNDERPLATE OVERALL.
- REFER TO MOLEX PRODUCT SPEC PS-75710-999 FOR PERFORMANCE SPECIFICATIONS.
- PRODUCT IS PACKAGED PER PK-70873-607.
- THIS PART CONFORMS TO CLASS B REQUIREMENTS OF COSMETIC SPEC PS-45499-002.
- MAPS (MOLEX ADVANCED PLATING SYSTEM).

ADD 50 GOLD EC NO: UCP2014-3112 DRW:WOLFE 2014/01/28 CHKD:SVANG 2014/01/28 APPR:SMILLER 2014/02/11	DESCRIPTION I-TRAC DAUGHTERCARD 7 ROW UNGUIDED SIGNAL MODULE	QUALITY SYMBOLS 		GENERAL TOLERANCES (UNLESS SPECIFIED)		DIMENSION STYLE MM ONLY		SCALE 4:1	DESIGN UNITS METRIC	THIRD ANGLE PROJECTION		
		4 PLACES ± --- ± ---	3 PLACES ± --- ± ---	2 PLACES ± 0.13 ± ---	1 PLACE ± 0.25 ± ---	0 PLACE ± ±	DRAWN BY MCARRANZA	DATE 3/20/06	I-TRAC DAUGHTERCARD 7 ROW UNGUIDED SIGNAL MODULE			
		ANGULAR ±1/2°					CHECKED BY JLAURX	DATE 3/21/06	molex			
		DRAFT WHERE APPLICABLE MUST REMAIN WITHIN DIMENSIONS					APPROVED BY JLAURX	DATE 3/21/06	MATERIAL NO. SEE CHART	DOCUMENT NO. SD-76020-001	SHEET NO. 1 OF 2	

MATERIAL NUMBER	# OF COLUMNS	DIM. "A" MAX.	DIM. "B"
76020-*0*4	4	14.80	11.10
76020-*0*6	6	22.20	18.50
76020-*0*0	10	37.00	33.30

76020-*0**

MODULE STYLE AND TAIL PLATING TYPE _____ # OF COLUMNS/PLATING
 0 = UNGUIDED, MATTE TIN (FORMERLY TIN/LEAD) 04 = 4 COL, 30 GOLD
 1 = UNGUIDED, MATTE TIN 06 = 6 COL, 30 GOLD
 10 = 10 COL, 30 GOLD
 44 = 4 COL, 10 GOLD (MAPS)
 46 = 6 COL, 10 GOLD (MAPS)
 40 = 10 COL, 10 GOLD (MAPS)
 54 = 4 COL, 50 GOLD
 56 = 6 COL, 50 GOLD
 50 = 10 COL, 50 GOLD

POLARIZATION KEY ORIENTATION _____
 0 = NO KEY

SEE SHEET 1 EC NO: UCP2014-3112 DRWN:WOLFE 2014/01/28 CHKD:SYANG 2014/01/28 APPR:SMILLER 2014/02/11	QUALITY SYMBOLS	GENERAL TOLERANCES (UNLESS SPECIFIED)	DIMENSION STYLE MM ONLY	SCALE 1:1	DESIGN UNITS METRIC	THIRD ANGLE PROJECTION
	▽=0	mm INCH	DRAWN BY DATE MCARRANZA 3/20/06	TITLE I-TRAC DAUGHTERCARD 7 ROW UNGUIDED SIGNAL MODULE		
	▽=0	4 PLACES ± --- ± ---	CHECKED BY DATE JLAURX 3/21/06			
	▽=0	3 PLACES ± --- ± ---	APPROVED BY DATE JLAURX 3/21/06	MATERIAL NO.	DOCUMENT NO.	SHEET NO.
▽=0	2 PLACES ± 0.13 ± ---	ANGULAR ±1/2°	SEE CHART	SD-76020-001	2 OF 2	
▽=0	1 PLACE ± 0.25 ± ---	DRAFT WHERE APPLICABLE MUST REMAIN WITHIN DIMENSIONS	THIS DRAWING CONTAINS INFORMATION THAT IS PROPRIETARY TO MOLEX INCORPORATED AND SHOULD NOT BE USED WITHOUT WRITTEN PERMISSION			
▽=0	0 PLACE ± ±					