

6

5

4

3

2

1

APPROVED: \_\_\_\_\_

DATE: \_\_\_\_\_ TITLE: \_\_\_\_\_

Rev	AWO #	Description	Date	Appr
-		RELEASED	3/13/20	

D

D

C

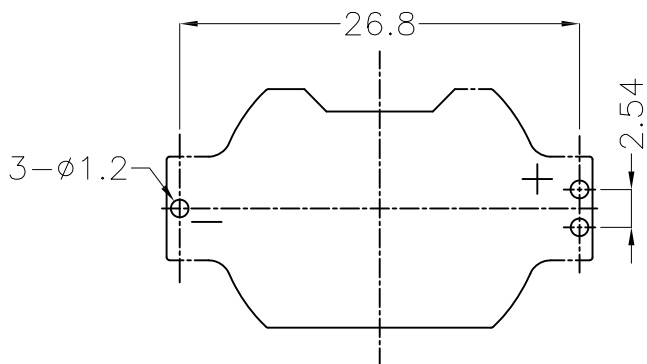
C

B

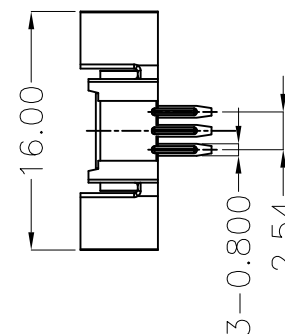
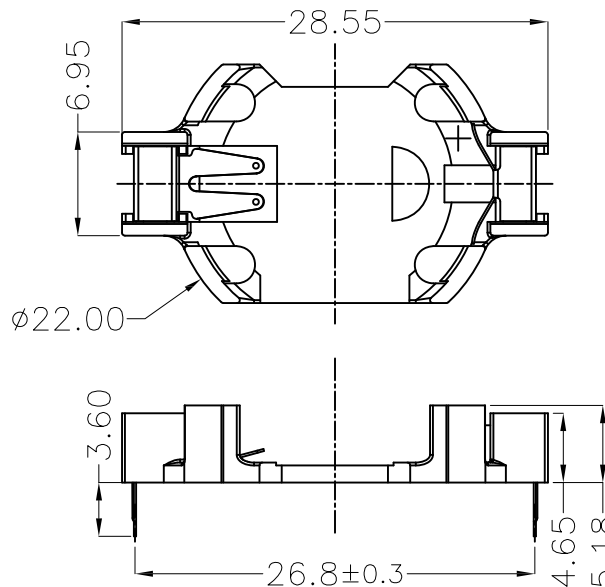
B

A

A



RECOMMENDED PCB LAYOUT



SPECIFICATIONS:

Material:  
Housing: Hi-Temp Thermoplastic, rated UL94V-0, Color: Black  
Contact: Phosphor Bronze, Tin plated  
Electrical:  
Contact resistance: 30 mohms max  
Insulation resistance: 1,000 Mohms min  
Dielectric Voltage: 500 VAC one sec level  
Temperature Rating:  
Operating temperature: -25°C to +85°C.  
Environmental:  
Lead free, RoHS compliant



UNLESS OTHERWISE SPECIFIED  
ALL DIMENSIONS ARE MILLIMETERS  
TOLERANCES: EXCEPT AS NOTED  
MM ANGLE  
X ± 0.30 X ± 1°  
X.X ± 0.25 X.X ± 0.5°  
X.XX ± 0.20  
X.XXX ± 0.10

**ADAM TECH**  
**INTERCONNECTS**  
909 Rahway Avenue,  
Union, NJ 07083  
Phone: 908-687-5000  
Fax: 908-687-5710

APPROVALS		DATE
DRAWN	LH	3/13/20
CHECKED	MY	3/13/20
APPROVED		

TITLE			BATTERY HOLDER, PCB THRU HOLE FOR CR2032, COLOR: BLACK		
SIZE	PART NO.	REV.			
X	BH-49C-1-BK	-			
REF:	S00136C	SCALE:	NTS	SHEET 1 OF 1	

6

5

4

3

2

1