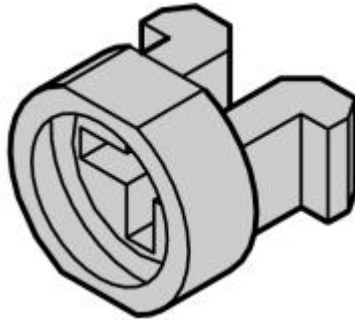


## Plastic sleeve



for unshielded front panels

Add to basket



Part no.: 21100-464

**Features:**

- Sleeve is inserted into the elongated hole of the front panel
- Sleeve serves to guide the collar screw when fastening the front panel

**Technical information:**

Description	Description	Required number at 3 U	Required number at 6 U
Plastic sleeves	PA, UL 90 V-2, grey	1 3 U	

**Delivery comprises:**

Item	Qty	Description
1	100	Sleeve, PA, UL V-2, grey; for form hole 5.9 x 3.3 mm

**Accessories:**

Part no.	Description	
<a href="#">21101-101</a>	Pozidrive/slotted collar screw	Add to basket
<a href="#">21100-748</a>	Pozidrive/slotted collar screw	Add to basket

**Note:**

- Metal sleeves on the partial front panels must be pressed in.
- not for front panel 2 HP

**CATEGORY**

- Home
- Cabinets
- Cases
- Brackets
- Modules**

Front panels

**Plug-in units**

- Plug-in unit with IEL handles, kit
- Front profile, shielded
- EMC seal
- Front panel for IEEE handle, unshielded
- Shielded EMC Frontpanel to IEEE 1101.10 (CompactPCI & VME64x)
- IEL, inject/eject handles to IEEE with 0,1" offset
- IET, low profile, inject/eject handle to IEEE 1101.10 with 0,1" offset
- Micro switch
- Coding
- Label strips
- Side-by-side kit for handles
- Assembly parts for IEEE-plug-in units
- Plug-in units type 2 with extraction handle – front panel shielded
- Front panel unshielded for plug-in units type 2 with extraction handle
- Front panel for plug-in units type 2 with extraction handle
- Extractor handle in trapezoidal form
- Euroboard bracket
- Plug-in units type 2 with trapezoid handle, shielded, kit
- Plug-in units type 2 with trapezoid handle, unshielded, kit
- Front panel unshielded
- Handle in trapezoidal form (without extraction function)
- Fixing clip for plastic handle in trapezoidal form
- Aluminium profile handle
- Contact spring for electrostatic discharge (ESD)
- Extractor handle for Multibus II
- Front panel for Multibus II
- Centre fixing mounting blocks for Multibus®II front panels
- Retention parts
- Extractor handle in key form 1



- Extractor handle in key form 2
- Shielding kit, component side, handles without extraction function
- Shielding kit, component side, handles without extraction function
- Shielding kit, component side, handles with/ kit without extraction function
- Plug-in units type 2 with extraction handle – front panel shielded
- Front panel, shielded
- Euroboard bracket 2
- Assembly parts for plug-in units type 2 with extraction handle
- Assembly part
- Assembly parts for printed board bracket**
- EMC captive gasket
- Unshielded EMC front panel to IEEE 1101.10 (CompactPCI & VME64x)
- 3 U shielded EMC front panel to IEEE 1101.10 with 0,1" offset
- 6 U shielded EMC front panel to IEEE 1101.10 with 0,1" offset
- IEL, inject/eject handles to IEEE 1101.10
- IET, low and profile, inject/eject handles to IEEE 1101.10
- Frame-type 4 & 5, HF plug-in units
- Shielded plug-in units
- Drive units
- PCB accessories
- Retention parts
- Systems
- Backplanes

**SEARCH**

Please enter the part no. or a search term:

**BASKET    LOGIN**

Description/Part no.:

Basket: 0 Item Selected

[Show basket](#)  
[Empty basket](#)  
[Quick order](#)