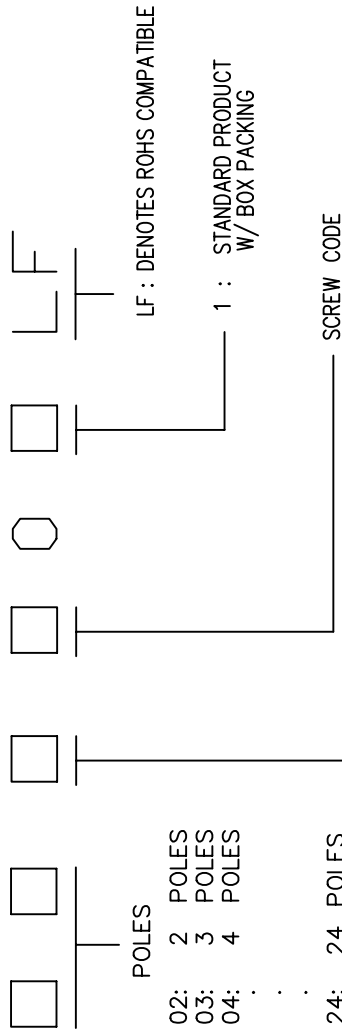


PRODUCT NUMBER  
20020009-XXXXXXLF

20020009- [ ]



SCREW CODE

CODE	SCREW TYPE	AVAILABILITY
A	-/+	ON REQUEST ONLY
B	-	STANDARD

ALL FLANGE SCREWS ARE ONLY AVAILABLE IN +/- COMBINATION SCREW TYPES.

PROPERTY TABLE	
FCI SERIES NAME	02-350 02-381 02-500 02-508
PITCH (mm)	3.50 3.81 5.00 5.08
VOLTAGE RATING (VAC)	300 300 300 300
CURRENT RATING (A)	cJLus 8 8 12 12
	VDE 10 10 NA NA
APPLICABLE WIRE RANGE (AWG)	1-WIRE 16~28 16~28 12~24 12~24
	2-WIRE 20 20 18 18
WIRE CROSS SECTION (mm <sup>2</sup> )	1-WIRE 1.5 1.5 2.5 2.5
	2-WIRE 0.5 0.5 1.0 1.0
OPENING CONTACT HOUSING (mm <sup>2</sup> )	1-WIRE 1.5 1.5 2.5 2.5
	2-WIRE 0.75 0.75 1.5 1.5
WIRE STRIP LENGTH (mm)	2.8x1.7 2.8x1.7 2.6x3.3 2.6x3.3
	6~7 6~7 6~7 6~7
TORQUE +/-10% (N-m/Lb-in)	0.19/1.7 0.19/1.7 0.4/3.5 0.4/3.5
	M2x0.4 M2x0.4 M3x0.5 M3x0.5
WITHSTANDING VOLTAGE (kV)	cJLus 1.6 1.6 1.6 1.6
	VDE 2.5 2.5 NA NA
OPERATING TEMP. (°C)	-40~+115 -40~+115 -40~+115 -40~+115
	POLES AVAILABLE 02~24 02~24 02~24 02~24
SAFETY CERTIFICATE	cJLus us

HOUSING CODE

CODE	COLOR	AVAILABILITY
1	GREEN(RAL 6018/T)	STANDARD
2	BLACK	ON REQUEST ONLY
3	GREY(RAL 7004/P)	ON REQUEST ONLY
4	BLUE(RAL 5015/A)	ON REQUEST ONLY

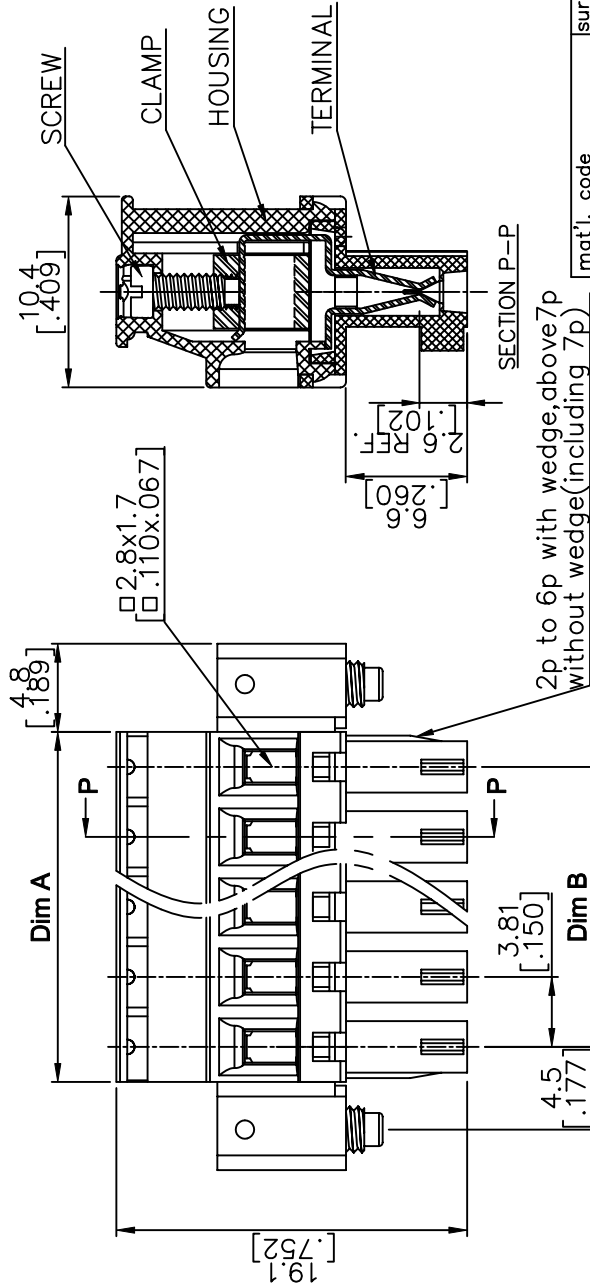
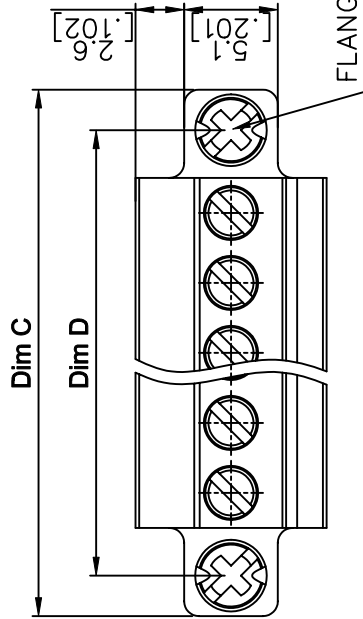
NOTES:

- MATERIALS  
1-1 HOUSING: THERMAL PLASTIC RESIN, UL 94V-0 RATED.  
1-2 SCREW AND FLANGE SCREW: STEEL, ZINC PLATED.  
1-3 CLAMP: COPPER ALLOY, NICKEL PLATED.  
1-4 TERMINAL: COPPER ALLOY, TIN PLATED.
- PRODUCT SPECIFICATION REFER TO FCI GS-12-625.
- BOXED PACKAGING, DETAILED PRODUCT PACKING SPECIFICATION REFER TO FCI GS-14-1394.
- FCI SAFETY CERTIFICATE LOGO AND SERIES NAME TO BE SHOWN ON PRODUCT SURFACE.
- THE PRODUCTS WHERE THE PART NUMBER END IN "LF" MEET THE EUROPEAN UNION DIRECTIVE AND OTHER COUNTRY REGULATIONS AS DESCRIBED IN GS-22-008.

mat'l. code		surface	tolerance	projection	product family	TERMINAL BLOCK
ltr	ecn no	dr	date	ASME Y14.5	ASME Y14.5	title
A	T10-0062	WL	050710	tolerances unless otherwise specified		TERMINAL BLOCK
B	T10-0127	WL	080910	X.X±0.3[.012]		PLUGGABLE PLUG, SIGNAL, ENTRIESIDE HOOK
C	T10-0140	WL	090310	X.XX±0.1[.004]		W/FLANGE
D	T10-0155	WL	093010	dr	WENDY CHEN	sheet 1 of 5 size
E	T10-0187	WL	121410	engr	JASON HSU	20020009
F	T11-0013	WL	040811	chr	GARY HSIEH	A4
G	T-004860	WL	080411	appd	JOSEPH HSIA	CUSTOMER Drawing
sheet	revision	G	G	G	G	
index	sheet	1	2	3	4	5



PRODUCT NUMBER	SERIES NAME	PITCH
20020009-DXXXXXXLF	02-381	3.81 mm



N = Number of poles

Dim A	NX3.81[.150]
Dim B	(N-1)X3.81[.150]
Dim C	NX3.81[.150]+9.6[.378]
Dim D	(N-1)X3.81[.150]+9.0[.354]

Poles	Tolerance
2p-6p	±0.15[.006]
7p-12p	±0.20[.008]
13p-16p	±0.25[.100]
17p-24p	±0.30[.012]

mat'l. code		surface	tolerance	projection	product family	TERMINAL BLOCK
itr		ASME Y14.5	ASME Y14.5	MM	terminal block	
ecn no		tolerances unless otherwise specified		[INCH]	PLUGGABLE PLUG, SIGNAL, ENTRYSIDE HOOK	
dr		X.±0.5[.020]		scale	W/FLANGE	
date		X.X±0.3[.012]			dwg no	sheet 3 of 5 size
		X.±1*	X.XX±0.1[.004]		20020009	A4
		dr	WENDY CHEN		type	CUSTOMER Drawing
		engr	JASON HSU			
		chr	GARY HSIEH			
		appd	JOSEPH HSIA			
sheet						
revision						
index						

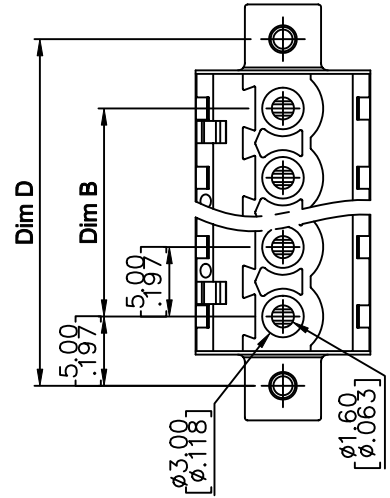
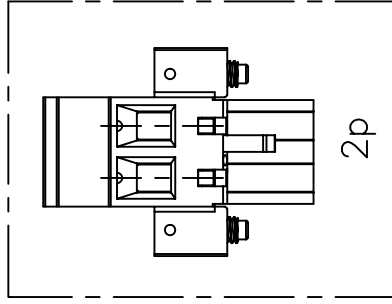
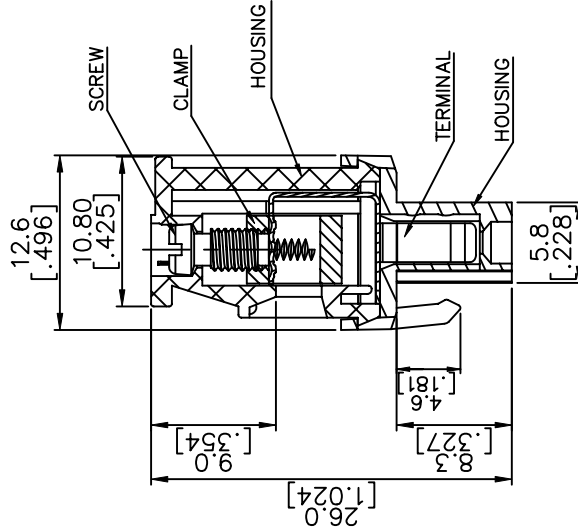
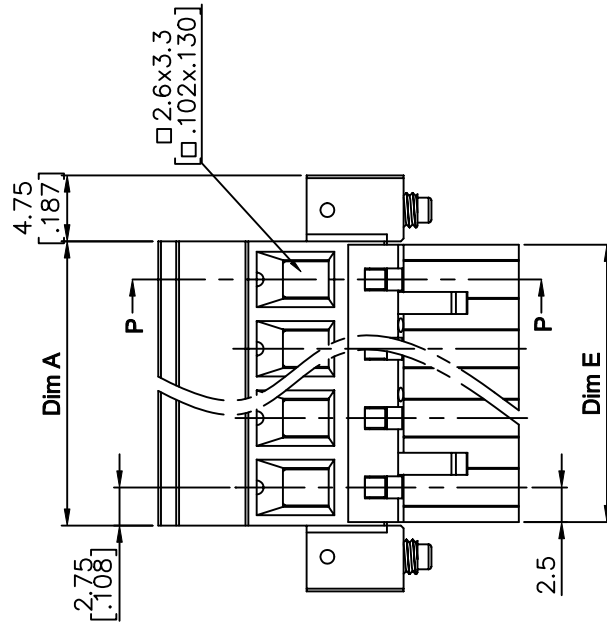
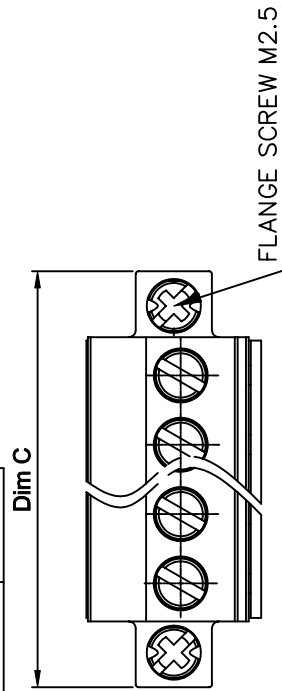


PRODUCT NUMBER	SERIES NAME	PITCH
20020009-GXXXXXLFL	02-500	5.00 mm

N = Number of poles

Dim A	$N \times 5.0 [.197] + 0.5 [.020]$
Dim B	$(N-1) \times 5.0 [.197]$
Dim C	$N \times 5.0 [.197] + 10.0 [.394]$
Dim D	$(N+1) \times 5.0 [.197]$
Dim E	$N \times 5.0 [.197]$

Poles	Tolerance
2p-6p	$\pm 0.15 [.006]$
7p-12p	$\pm 0.25 [.010]$
13p-18p	$\pm 0.30 [.012]$
19p-24p	$\pm 0.40 [.016]$



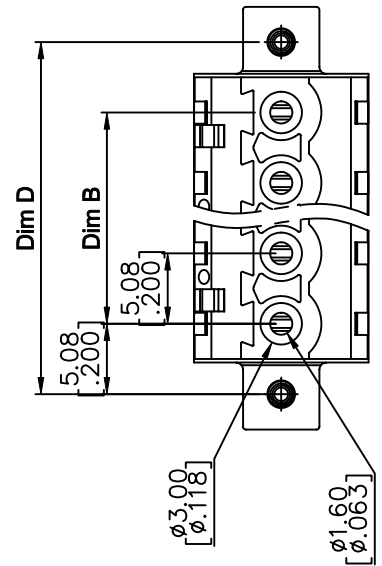
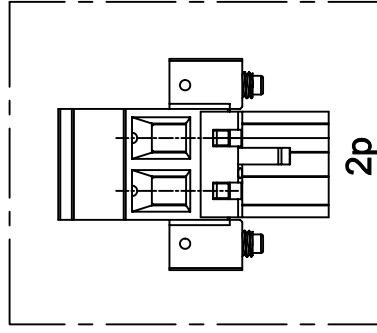
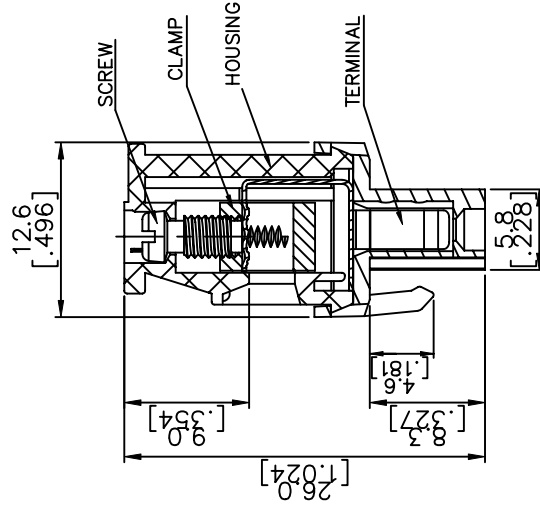
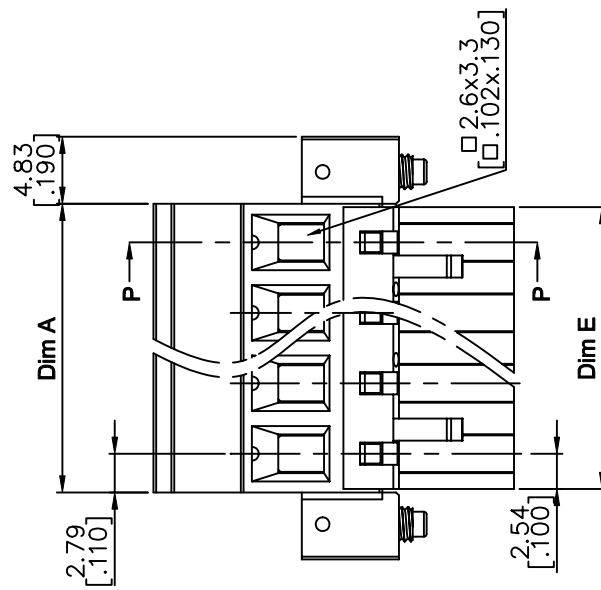
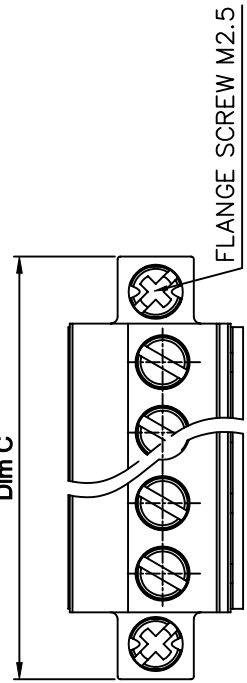
mat'l. code		surface	tolerance	projection	product family	TERMINAL BLOCK
itr		ASME Y14.5	ASME Y14.5	$\phi$	title	
ecn no		tolerances unless otherwise specified			TERMINAL BLOCK	
dr		angles	X. $\pm$ 0.5 [.020]	MM	PLUGGABLE PLUG, SIGNAL, ENTRYSIDE HOOK	
date		X. $\pm$ 1°	X.X $\pm$ 0.3 [.012]	[INCH]	W/FLANGE	
		X.XX $\pm$ 0.1 [.004]	scale		dwg no	sheet 4 of 5 size
		dr WENDY CHEN	042310	<b>FCI</b>	20020009	A4
		engr JASON HSU	042310			
		chr GARY HSIEH	042310			
		appd JOSEPH HSIA	042310			
sheet		revision			type	CUSTOMER Drawing
index		sheet				

PRODUCT NUMBER	SERIES NAME	PITCH
20020009-HXXXXXL	02-508	5.08 mm

N = Number of poles

Dim A	$N \times 5.08 [ .200 ] + 0.5 [ .020 ]$
Dim B	$(N-1) \times 5.08 [ .200 ]$
Dim C	$N \times 5.08 [ .200 ] + 9.66 [ .380 ]$
Dim D	$(N+1) \times 5.08 [ .200 ]$
Dim E	$N \times 5.08 [ .200 ]$

Poles	Tolerance
2p-6p	$\pm 0.15 [ .006 ]$
7p-12p	$\pm 0.20 [ .008 ]$
13p-18p	$\pm 0.30 [ .012 ]$
19p-24p	$\pm 0.40 [ .016 ]$



mat'l. code		surface	tolerance	projection	product family	TERMINAL BLOCK
ltr	ecn no	date	ASME Y14.5 tolerances unless otherwise specified	MM [INCH]	title	TERMINAL BLOCK PLUGGABLE PLUG, SIGNAL, ENTRYSIDE HOOK W/FLANGE
G			angles X±1° X.XX±0.1 [.004]	scale	dwg no	sheet 5 of 5 size
			dr WENDY CHEN 042310		20020009	A4
			enr JASON HSU 042310		type	CUSTOMER Drawing
			chr GARY HSEH 042310			
			appd JOSEPH HSIA 042310			
sheet	revision					
index	sheet					