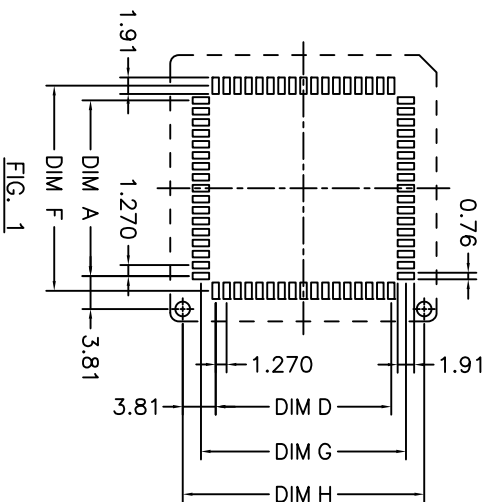
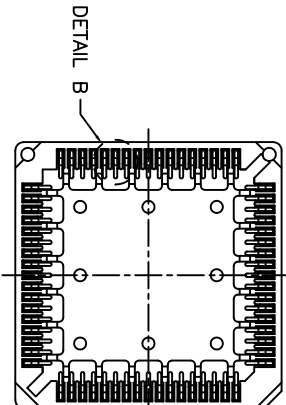
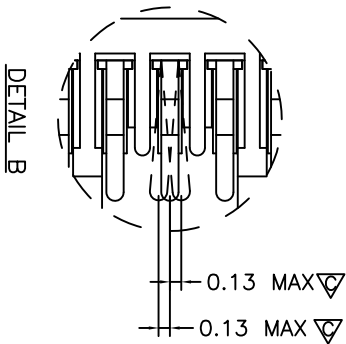
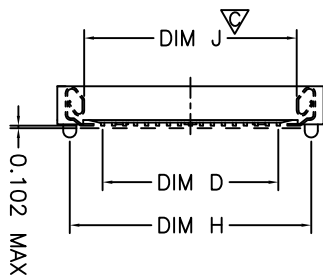
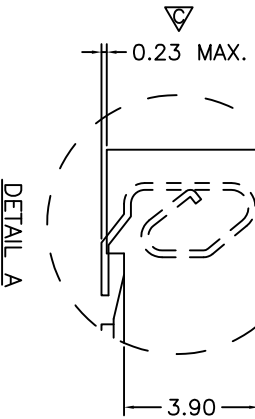
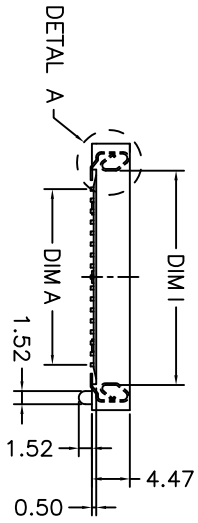
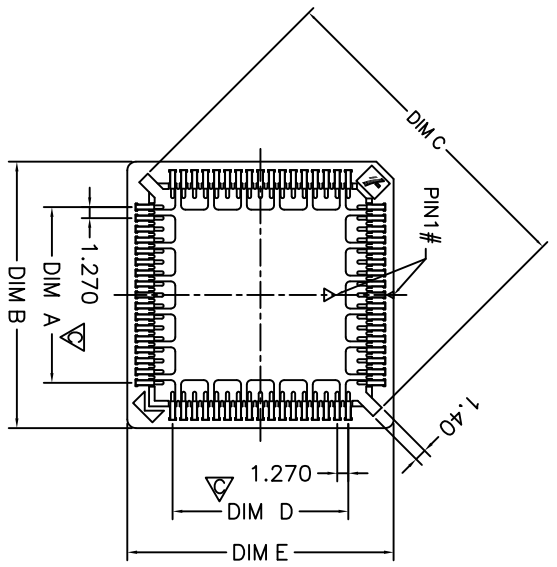




Copyright FCI.



NOTE: DIMENSIONAL MARK  $\nabla$  TO BE CHECKED BY OQC.

rev	ecn no	dr	date
Y	T10136	JH	3/18/01
AA	T03-0432	JH	10/15/03
AB	T05-0017	JH	1/24/05
AC	T05-0114	JH	5/9/05
AD	T05-0212	JH	9/21/05
AE	T06-0070	JH	5/8/06
AF	T11-0002	JH	1/11/11

www.fciconnect.com		surface $\nabla$ tolerance std		projection		Scale	
TOLERANCES UNLESS OTHERWISE SPECIFIED		ANGULAR		LINEAR		MM	
Dr	Jason Hsu	1/11/11	0.X	± 0.25	size	A4	N/A
Eng	Jason Hsu	1/11/11	0°	± 0.15	ECN	T11-0002	
Chk	Gary Hsieh	1/11/11	0°	± 0.10	Product family		
Appr	Joseph Hsieh	1/11/11			Spec ref		
PLCC SMT Socket		CUSTOMER		69802		Rev. AF	
catalog no		-		sheet 1 of 5			

TABLE I

NO. OF CONTACTS	DIM. A ±0.20	DIM. B ±0.20	DIM. C ±0.20	DIM. D ±0.20	DIM. E MAX.	DIM. F ±0.10	DIM. G ±0.10	DIM. H ±0.20	DIM. I ±0.20	DIM. J ±0.20
20	5.08	15.24	16.70	5.08	15.24	8.48	8.48	12.70	9.40	
28	7.62	17.78	20.30	7.62	17.78	11.02	11.02	15.24	11.94	
32	7.62	17.78	22.50	10.16	20.32	11.02	13.56	17.78	11.94	14.48
44	12.70	22.86	27.50	12.70	22.86	16.10	16.10	20.32	17.02	
52	15.24	25.40	31.10	15.24	25.40	18.64	18.64	22.86	19.56	
68	20.32	30.82	38.30	20.32	30.82	23.72	23.72	27.94	24.64	
84	25.40	35.90	45.50	25.40	35.90	28.80	28.80	33.02	29.72	

TABLE II

PART NO.	WITH POLARIZING PEGS	PACKAGING BY PVC TUBE	PACKAGING BY TAPE & REEL	MCK PART NO.
69802-0XX	✓	✓		PLCC-XXP-T-SMT-P
69802-1XX		✓		PLCC-XXP-T-SMT
69802-4XX			✓	PLCC-XXP-T-SMT-TR
69802-0XXPT	✓	✓		PLCC-XXP-T-SMT-P-PT
69802-1XXPT		✓		PLCC-XXP-T-SMT-PT
69802-4XXPT			✓	PLCC-XXP-T-SMT-TR-PT
69802-0XXLF	✓	✓		PLCC-XXP-T-SMT-P-LF
69802-1XXLF		✓		PLCC-XXP-T-SMT-LF
69802-4XXLF			✓	PLCC-XXP-T-SMT-TR-LF

NOTE:  
ORDERING DATA: 69802 - X XX XX

LF: LEAD FREE  
PT: PURE TIN PLATED.  
BLANK: TIN/LEAD PLATED.  
NO OF CONTACTS  
SEE TABLE II



www.fciconnect.com		surface	tolerance std	projection	MM
TOLERANCES UNLESS OTHERWISE SPECIFIED		ANGULAR	±0.25	A4	Scale N/A
LINEAR		±0.15	ECN	T11-0002	
Product family		±0.10	Spec ref		
Dr Jason Hsu 1/11/11		Appr Joseph Hsia 1/11/11		Rev. AF	
Eng Jason Hsu 1/11/11		Chk Gary Hsieh 1/11/11		69802	
Cust Gary Hsieh 1/11/11		Product family		CUSTOMER	
Appr Joseph Hsia 1/11/11		PLCC SMT Socket		sheet 2 of 5	
catalog no		-		Rev. AF	

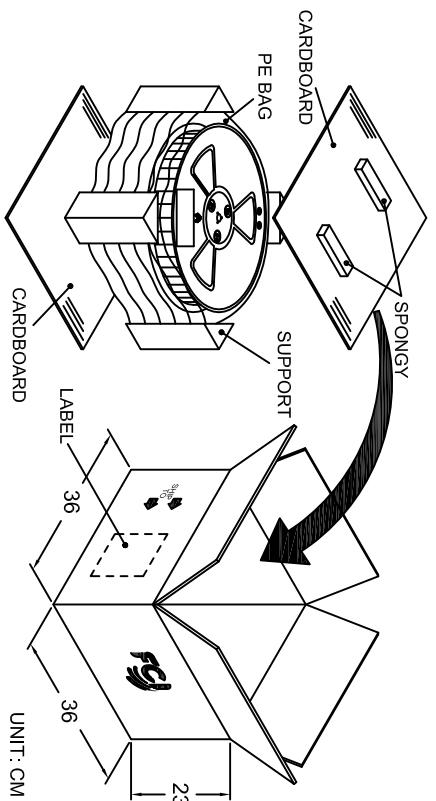
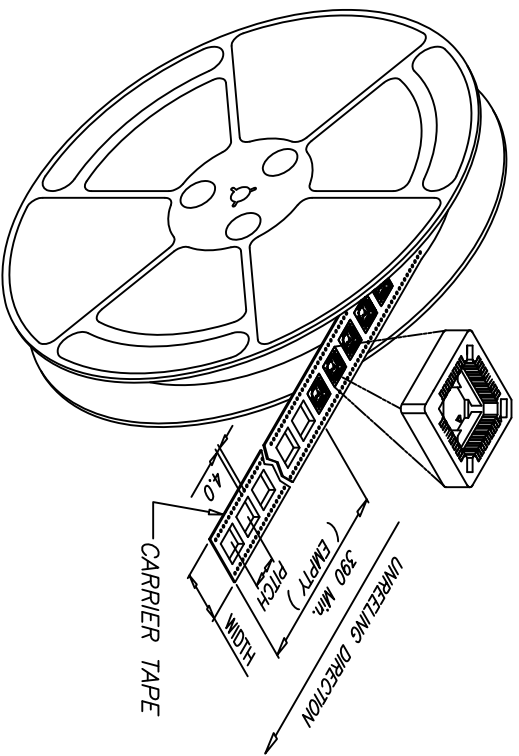
NOTES:

1. MATERIAL:
  - 1-1 HOUSING : PPS GB8411,UL94V-0 COLOR IN BROWN.
  - PLATING : 150u" TIN/LEAD OR PURE TIN MIN. OVER 40u" NICKEL MIN.
  - CONTACT : PHOSPHOR BRONZE C5212RH.
2. THE "FCI" LOGO IS LOCATED AS SHOWN.
3. RECOMMEND PCB LAYOUT IS SHOWN IN FIG.1.
4. COPLANARITY REQUIREMENT;
  - A. CONTACT MUST BE BELOW HOUSING BOTTOM SURFACE WITHIN 0.23MM.
  - B. CONTACT SEATING LINE MUST BE WITHIN 0.102MM.
5. THE POSITION OF PIN#1 IN THE CENTER PAD IS AS SHOWN.
6. THE PACKAGING INFORMATION SHOWS ON SHEET 4 &5.
7. PRODUCT SPECIFICATION: GES-12-158.
8. MANUFACTURING PROCESS COMPATIBILITY: THE HOUSING WILL WITHSTAND EXPOSURE TO 245°C PEAK TEMPERATURE FOR 5 SECOND IN A IR REFLOW APPLICATION.



Copyright FCI.

www.fciconnect.com		surface	tolerance std	projection	MM
TOLERANCES UNLESS OTHERWISE SPECIFIED		ANGULAR	0.X	± 0.25	size A4
LINEAR		0.XX	± 0.15	ECN	Scale N/A
Product family		0" ± 0.1	± 0.10	Spec ref	T11-0002
Dr	Jason Hsu	1/11/11			
Eng	Jason Hsu	1/11/11			
Chg	Gary Hsieh	1/11/11			
Appr	Joseph Hsia	1/11/11			
PLCC SMT Socket		CUSTOMER		69802	Rev. AF
catalog no		-		sheet 3 of 5	

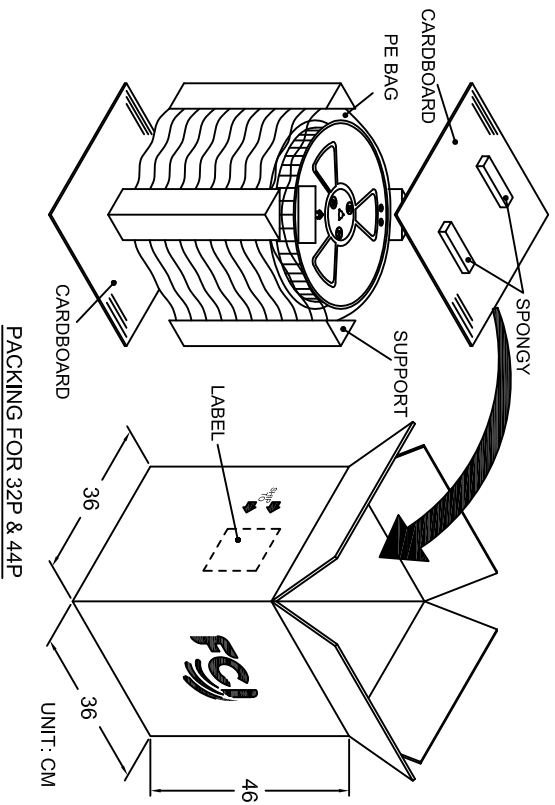


PACKING FOR 20P, 28P, 52P, 68P & 84P

TABLE III

NO. OF PIN.	WIDTH	PITCH	PCS/REEL	REEL/CARTON	TOTAL (PCS)
20P	24.0	24.00	470	6	2820
28P	32.0	24.00	390	5	1950
32P	32.0	24.00	390	10	3900
44P	44.0	32.00	250	8	2000
52P	44.0	32.00	250	4	1000
68P	44.0	36.00	220	4	880
84P	56.0	40.00	200	3	600

\* REEL DIAMETER:  $\varnothing$  13 in"



PACKING FOR 32P & 44P

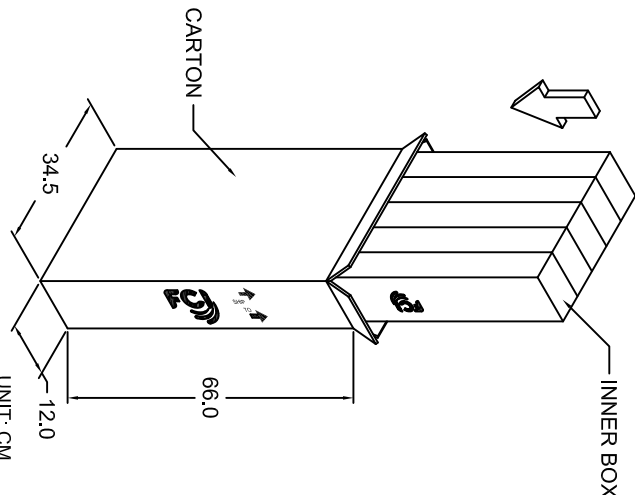


Copyright FCI.

www.fciconnect.com		surface <input checked="" type="checkbox"/> tolerance std		projection		MM	
TOLERANCES UNLESS OTHERWISE SPECIFIED		ANGULAR		size		Scale	
Dr	Jason Hsu	1/11/11	0.X	± 0.25	A4	N/A	
Eng	Jason Hsu	1/11/11	LINEAR	0.XX	ECN	T11-0002	
Chk	Gary Hsieh	1/11/11	0" ± 0.05	± 0.10	Spec ref		
Appr	Joseph Hsia	1/11/11	Product family				
FCI # PLCC SMT Socket		Rev. 2		69802		Rev. AF	
catalog no		CUSTOMER		sheet 4 of 5			

TABLE IV

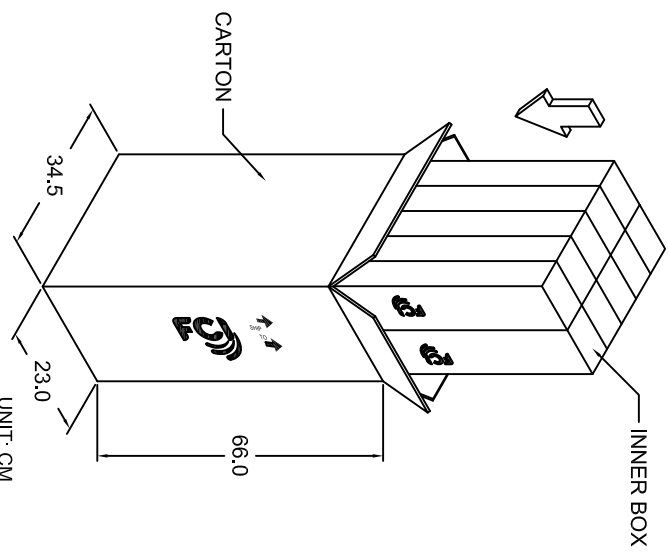
A / P PART NO.	69802-X20X	69802-X28X	69802-X32X	69802-X44X	69802-X52X	69802-X68X	69802-X84X
DESCRIPTION	20P	28P	32P	44P	52P	68P	84P
PCS / TUBE	37	32	28	25	23	18	16
PCS / INNER BOX	1110	832	728	500	460	270	224
INNER BOX / CARTON (WITH SOCKET)	3	4	10	10	4	5	5
INNER BOX / CARTON (W / O SOCKET)	2	1	0	0	1	0	0
TOTAL (PCS)	3330	3328	7280	5000	1840	1350	1120
N.W.	3.2 KG	4.2 KG	10.0 KG	8.5 KG	3.2 KG	3.75 KG	3.5 KG
G.W.	6.5 KG	8.0 KG	18.0 KG	17.0 KG	7.0 KG	8.3 KG	8.0 KG



PACKING FOR 20P, 28P, 52P, 680 & 84P

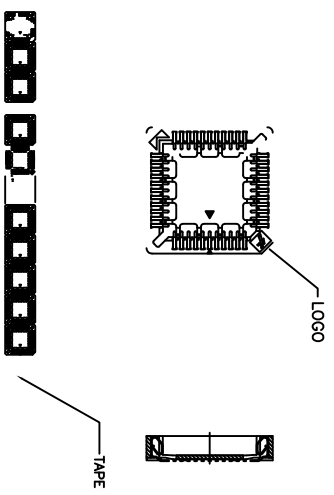


Copyright FCI.



PACKING FOR 32P & 44P

PACKAGING DIRECTION FOR PVC TUBE



www.fciconnect.com		surface	tolerance std	projection	MM
TOLERANCES UNLESS OTHERWISE SPECIFIED		ANGULAR	0.X	± 0.25	size A4
LINEAR		0.XX	± 0.15	ECN	N/A
Product family		0.XXX	± 0.10	Spec ref	T11-0002
Dr	Jason Hsu	1/11/11			
Eng	Jason Hsu	1/11/11			
Chk	Gary Hsieh	1/11/11			
Appr	Joseph Hsia	1/11/11			
PLCC SMT Socket		Rev. 69802	Rev. AF		
catalog no		CUSTOMER	sheet 5 of 5		