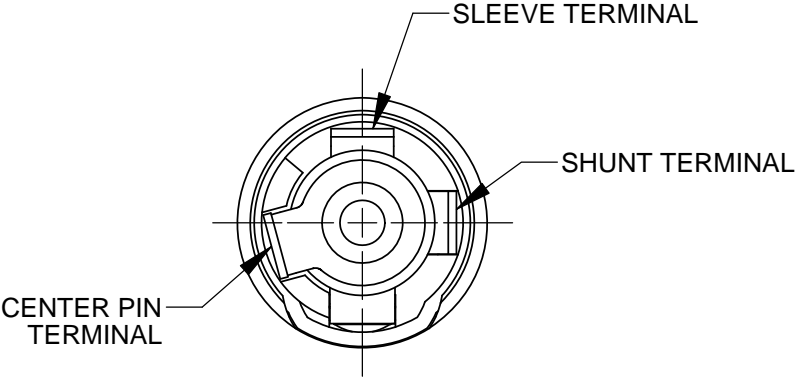
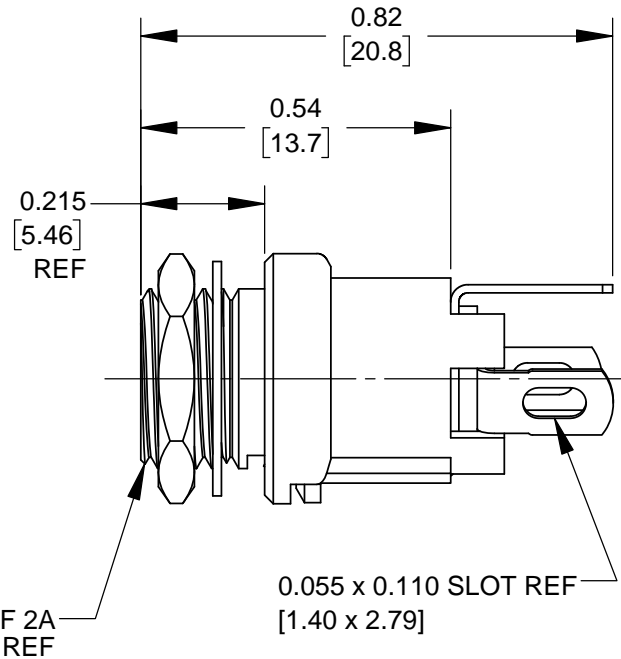
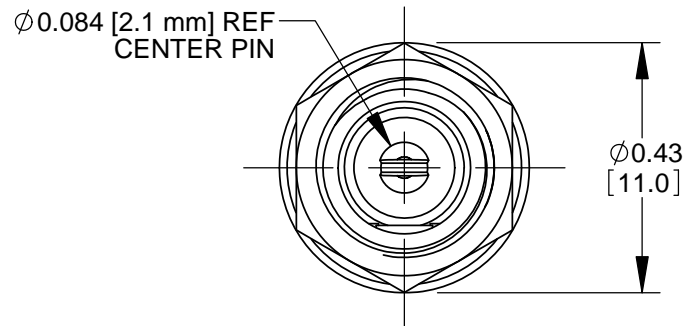
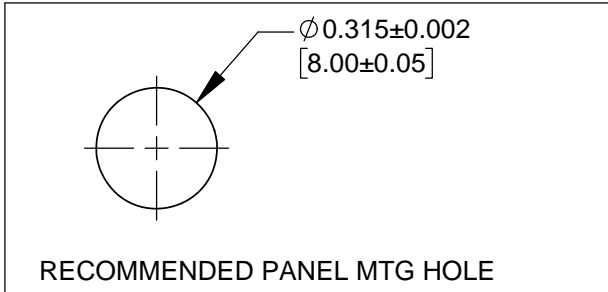
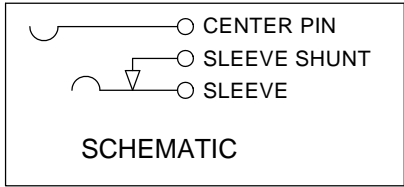
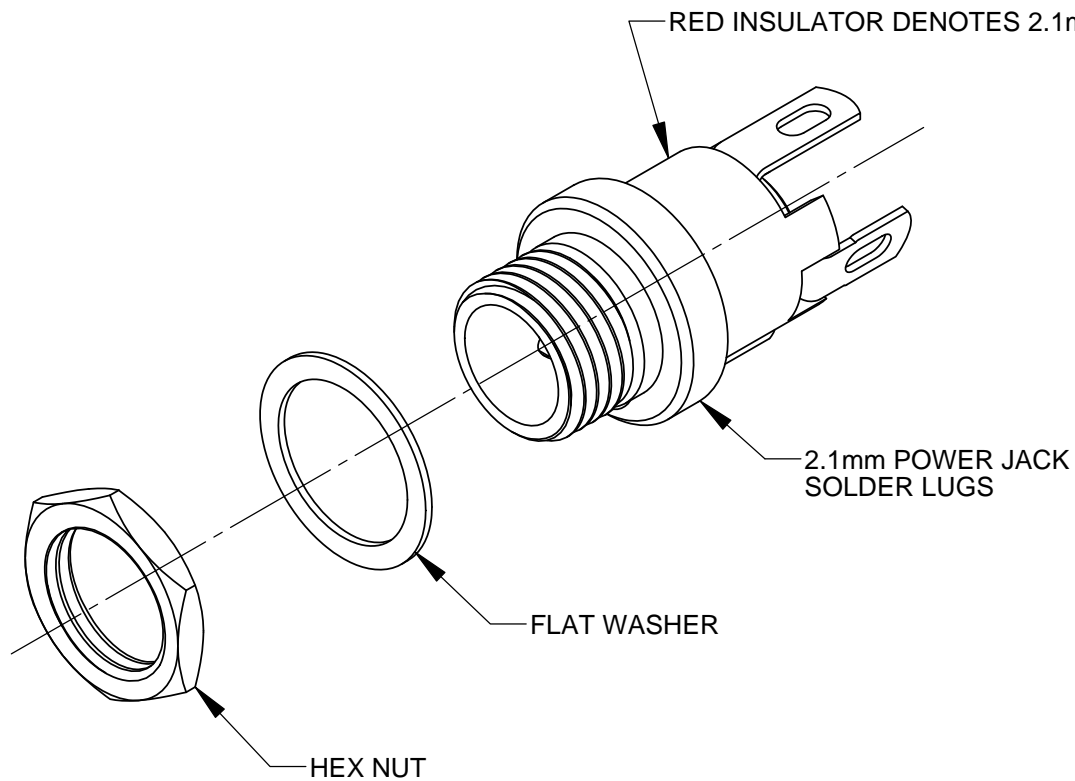


PART NUMBER	DESCRIPTION	SWITCHCRAFT MATING 2.1mm POWER PLUGS
721A	2.1mm POWER JACK, SOLDER LUGS	762, 763, 762K, 763K



NOTES:

- DIMENSIONS SHOWN FOR REFERENCE ONLY.
- HEX NUT AND FLAT WASHER SUPPLIED UNASSEMBLED.
- MATERIAL:  
HOUSING, HEX NUT - COPPER ALLOY, NICKEL PLATED  
INSULATOR HOUSING - THERMOPLASTIC, RED  
TERMINAL INSULATORS - PHENOLIC  
FLAT WASHER - STEEL, NICKEL PLATED  
PIN, SPRING, TERMINALS - COPPER ALLOY, SILVER PLATED
- THESE PRODUCTS ARE RoHS COMPLIANT

**CUSTOMER DRAWING**

					THIS DRAWING DESCRIBES A DESIGN CONSIDERED PROPRIETARY IN NATURE, DEVELOPED AND MANUFACTURED BY SWITCHCRAFT INC. AND IS RELEASED ON A CONFIDENTIAL BASIS FOR IDENTIFICATION PURPOSES ONLY.					
					SIZE	WIDTH	MULT	LBS/M	TEMPER	
					FINISH SPEC No.			MATERIAL SPEC No.		
					FIRST USED ON		SCALE 3:1			
					DATE DRAWN	BY	CHKD	APVD		
					02/06/17	PNK	PNK	SRC		
					02/06/17		02/06/17			
					NAME 2.1mm POWER JACKS SOLDER LUGS, RoHS				PART No. 721A	REV A
REVISIONS					DO NOT SCALE DRAWING					