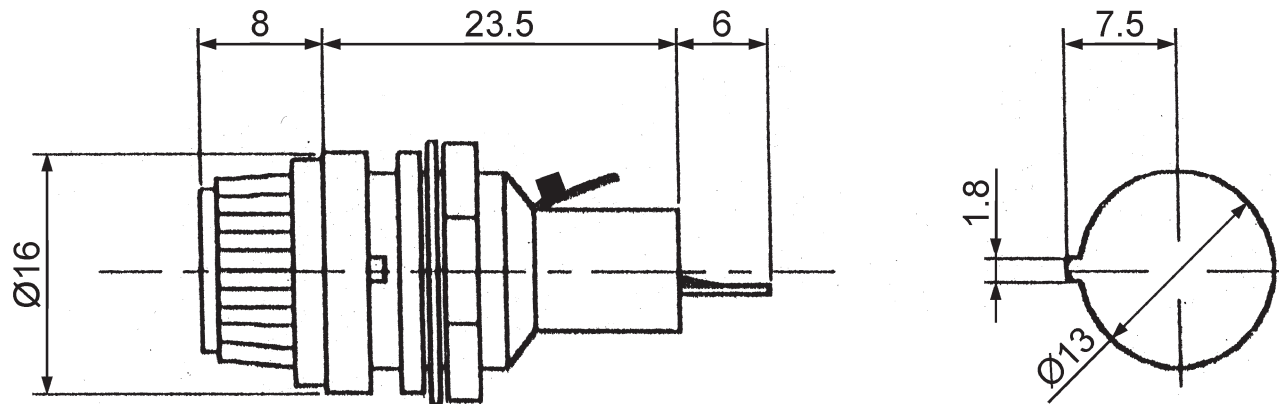


RoHS  
Compliant  
Drawing For  
Reference Only



Technical requirement :

1. This product should meet EU RoHS related requirement.
2. The surface of plastic part should be without any crackle such as burr,lack,and so on phenomenon.
3. The surface of metal part should be without any defect such as scaur,nick,oxidation and plating problem.
4. The electronic performance should be the same as spec.
5. The un-specified tolerance is :  $<6\pm 0.1$   
 $6\sim 20\pm 0.2$   
 $>20\pm 0.3$

Specification :

- Rated Current : AC 250V 10A  
 Contact Resistance : 5m ohm at 1A DC  
 Insulation Resistance : 100M ohm min. at DC 500V  
 Dielectric Strength : AC 1500V for one minute.

<b>DCI</b> DRAGON CITY INDUSTRIES LIMITED			Design	K.W Law	Remark	Scale	
			Drawing	W.K Yeung	Remark	Material	
Item Name	Fuse Holder	Tolerance :	Check	K.L Wong	Remark	Dwg No.	81230-1732
Item No.	FH-301S-EN	Unit : mm $\begin{matrix} \oplus \\ \ominus \end{matrix}$	Approval	K.W Chan	Remark	Sheet	