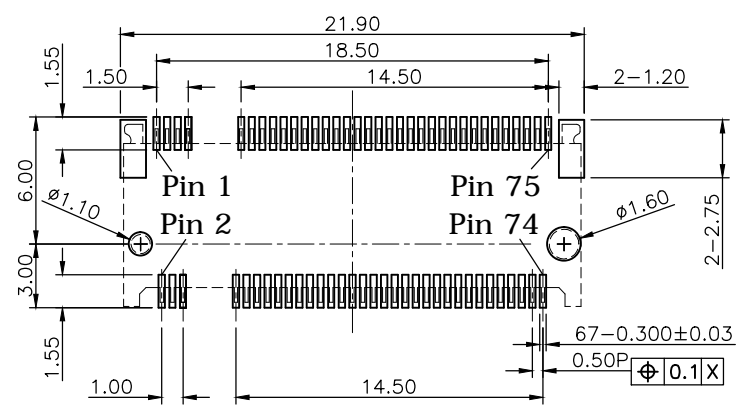
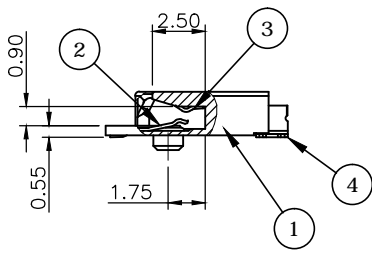
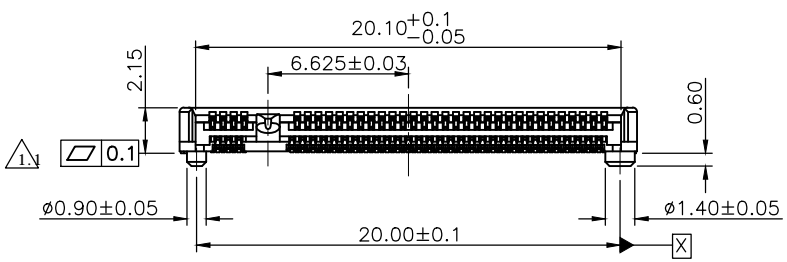
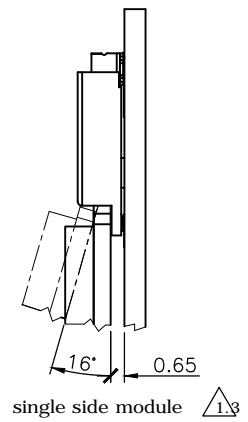


Date code: YWWD
 Y=Year, 0~9
 WW=Week, 1~52
 D=Day, 1~7



Recommended Layout (Top View)
 General Tolerance: ±0.05mm



REV.	DESCRIPTION	DRAWN	DATE
1.1	Add flatness tolerance	FROS	2019/08/07
1.2	Corrected temperature to 85°C	FROS	2019/08/15
1.3	add note	FROS	2019/08/29

SPECIFICATION:

- ELECTRICAL**
 - Current Rating: 0.5A per pin
 - Voltage Rating: 50VAC
 - Contact Resistance: 50mΩ
 - Insulation Resistance: 500MΩ
 - Dielectric Withstanding Voltage: 300VAC

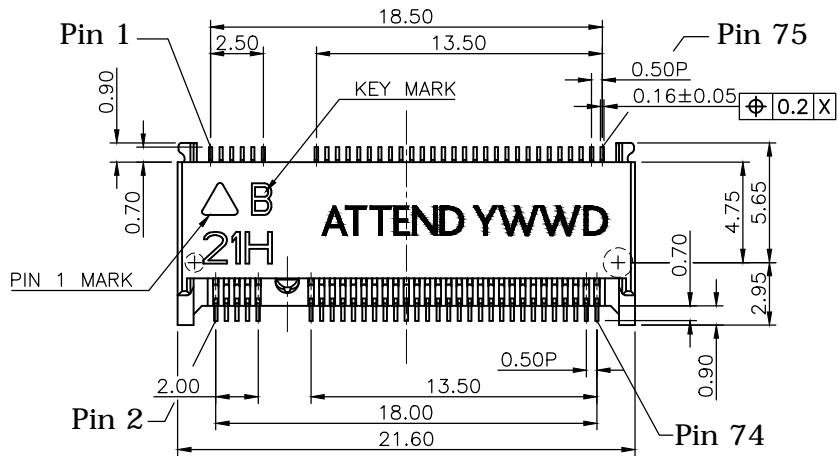
- MECHANICAL**
 - Durability: 60 Cycle
 - Mating Force: 20N max.
 - Un-mating Force: 25N max.

- ENVIRONMENTAL**
 - Operating temperature range: -40°C~+85°C
 - Storage temperature range: -40°C~+85°C

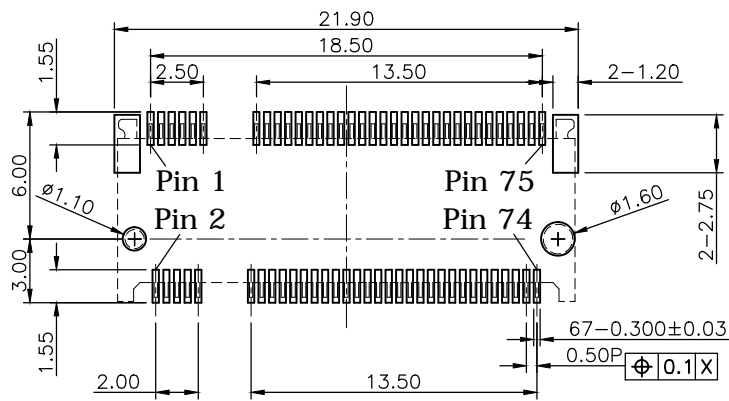
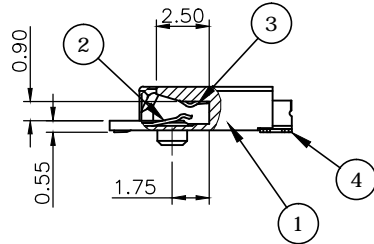
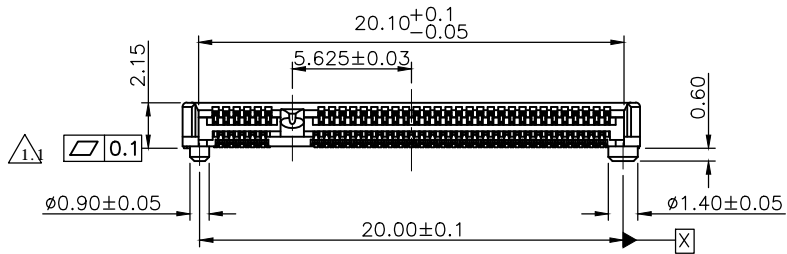
- SOLDER ABILITY**
 - Recommended IR Reflow (Wave Soldering) Temperature: 260°C

4	HOLD DOWN	BRASS, C2680R-H, 100u" Matte Tin plated, under-plated Nickel 50u"	
3	LOWER CONTACT	PHOSPHOR BRONZE, C5210R-EH	
2	UPPER CONTACT	Contact area: Gold flash, Solder area: Gold flash, all under-plated Nickel 50u"	
1	INSULATOR	LCP, UL94V-0, BLACK	
NO.	PART NAME	DESCRIPTION	
UNLESS OTHERWISE SPECIFIED TOLERANCE			
UNIT:	DECIMAL	LINEAR	ANGLES
mm	X.	±0.50	±5°
	X.X	±0.25	±3°
	X.XX	±0.12	±1°
WWW.ATTEND.COM.TW			
DRAWN	Fros	2018/12/06	DRAWN NAME:
CHECKED	Tim	2018/12/06	M.2 Socket, H2.1 A Key 0.5 Pitch G/F, Black, Reel
APPROVED	Ken	2018/12/06	PRODUCT NO.
		SCALE	2.8
		SHEET	1/1
		SIZE	A4
		FILE NAME	123A-21A00_B_1.3

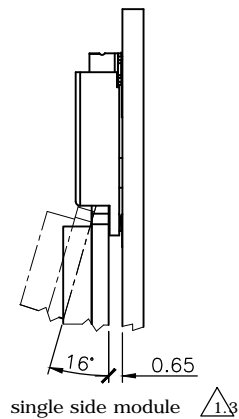




Date code: YWWD
 Y=Year, 0~9
 WW=Week, 1~52
 D=Day, 1~7



Recommended Layout (Top View)
 General Tolerance: ±0.05mm



REV.	DESCRIPTION	DRAWN	DATE
1.1	Add flatness tolerance	FROS	2019/08/07
1.2	Corrected temperature to 85°C	FROS	2019/08/15
1.3	add note	FROS	2019/08/29

SPECIFICATION:

1. ELECTRICAL

- 1.1 Current Rating: 0.5A per pin
- 1.2 Voltage Rating: 50VAC
- 1.3 Contact Resistance: 50mΩ
- 1.4 Insulation Resistance: 500MΩ
- 1.5 Dielectric Withstanding Voltage: 300VAC

2. MECHANICAL

- 2.1 Durability: 60 Cycle
- 2.2 Mating Force: 20N max.
- 2.3 Un-mating Force: 25N max.

3. ENVIRONMENTAL

- 3.1 Operating temperature range: -40°C~+85°C
- 3.2 Storage temperature range: -40°C~+85°C

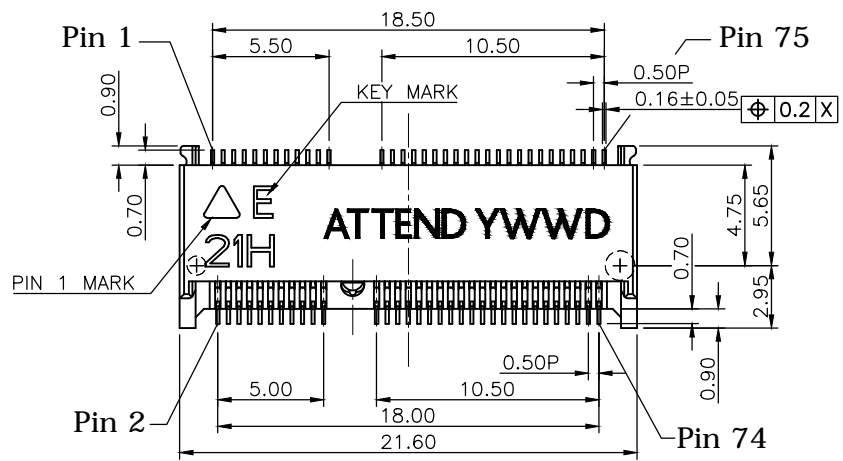
4. SOLDER ABILITY

- 4.1 Recommended IR Reflow (Wave Soldering) Temperature: 260°C

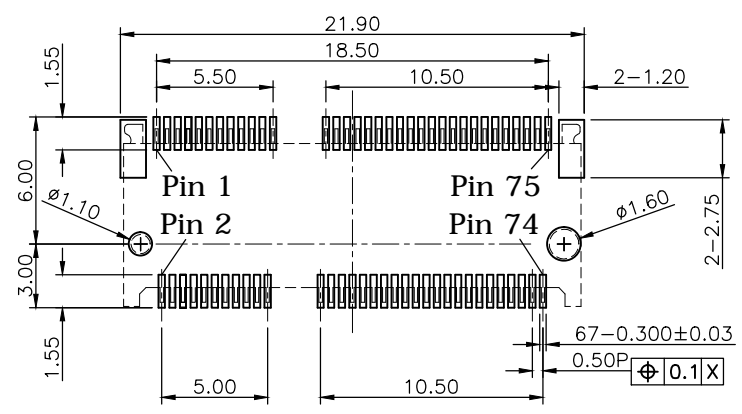
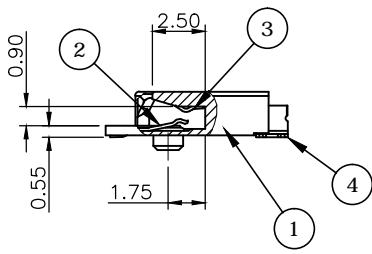
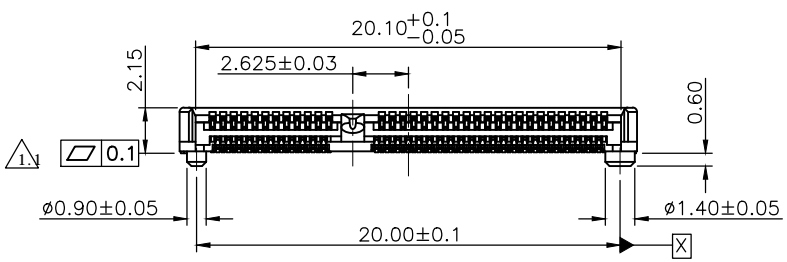
4	HOLD DOWN	BRASS, C2680R-H, 100u" Matte Tin plated, under-plated Nickel 50u"	
3	LOWER CONTACT	PHOSPHOR BRONZE, C5210R-EH	
2	UPPER CONTACT	Contact area: Gold flash, Solder area: Gold flash, all under-plated Nickel 50u"	
1	INSULATOR	LCP, UL94V-0, BLACK	
NO.	PART NAME	DESCRIPTION	
UNLESS OTHERWISE SPECIFIED TOLERANCE			
UNIT:	DECIMAL	LINEAR	ANGLES
mm	X.	±0.50	±5°
	X.X	±0.25	±3°
	X.XX	±0.12	±1°
DRAWN		Fros	2018/12/06
CHECKED		Tim	2018/12/06
APPROVED		Ken	2018/12/06
SCALE		2.8	SHEET 1/1
SIZE		A4	
DRAWN NAME:		M.2 Socket, H2.1 B Key	
PRODUCT NO.		123A-21B00	
FILE NAME		123A-21B00_B_1.3	



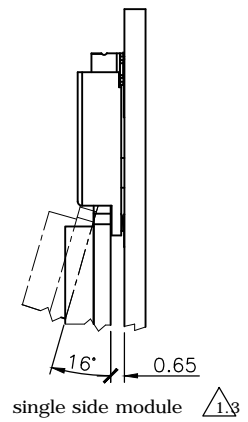
WWW.ATTEND.COM.TW



Date code: YWWD
 Y=Year, 0~9
 WW=Week, 1~52
 D=Day, 1~7



Recommended Layout (Top View)
 General Tolerance: ±0.05mm



REV.	DESCRIPTION	DRAWN	DATE
1.1	Add flatness tolerance	FROS	2019/08/07
1.2	Corrected temperature to 85°C	FROS	2019/08/15
1.3	add note	FROS	2019/08/29

SPECIFICATION:

- ELECTRICAL**
 - Current Rating: 0.5A per pin
 - Voltage Rating: 50VAC
 - Contact Resistance: 50mΩ
 - Insulation Resistance: 500MΩ
 - Dielectric Withstanding Voltage: 300VAC

- MECHANICAL**
 - Durability: 60 Cycle
 - Mating Force: 20N max.
 - Un-mating Force: 25N max.

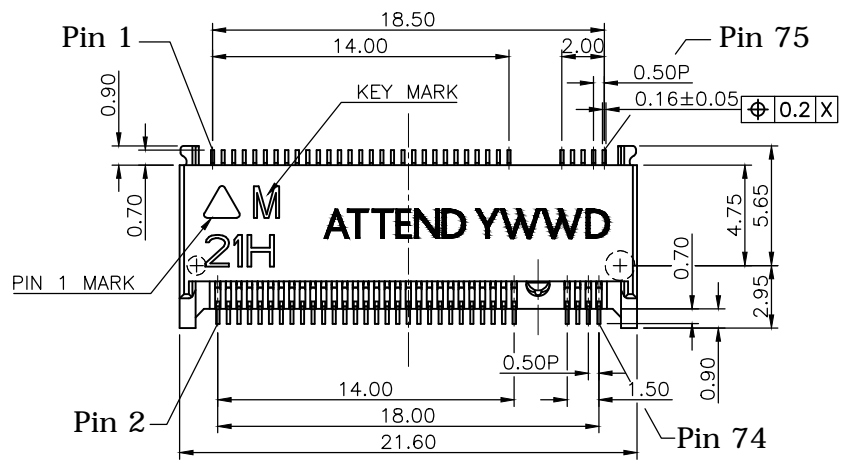
- ENVIRONMENTAL**
 - Operating temperature range: -40°C~+85°C
 - Storage temperature range: -40°C~+85°C

- SOLDER ABILITY**
 - Recommended IR Reflow (Wave Soldering) Temperature: 260°C

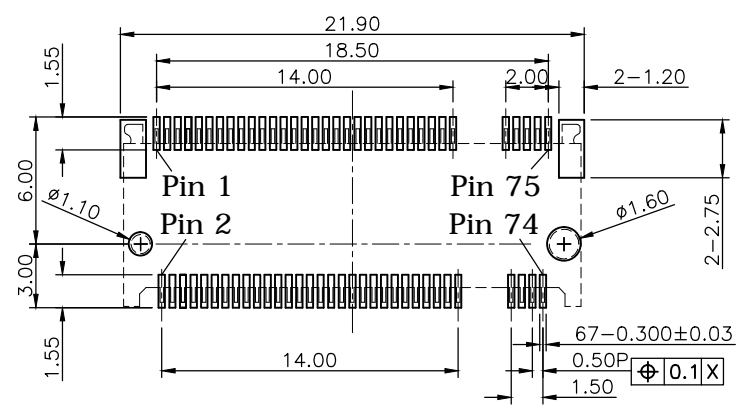
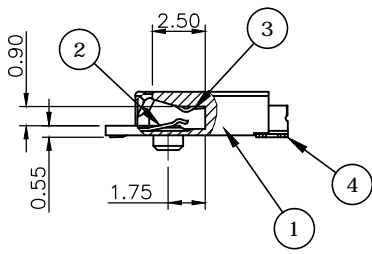
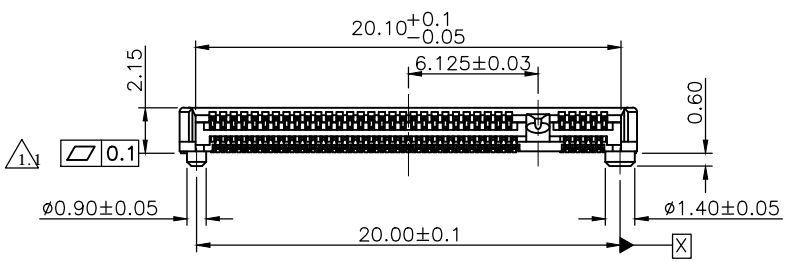
4	HOLD DOWN	BRASS, C2680R-H, 100u" Matte Tin plated, under-plated Nickel 50u"	
3	LOWER CONTACT	PHOSPHOR BRONZE, C5210R-EH	
2	UPPER CONTACT	Contact area: Gold flash, Solder area: Gold flash, all under-plated Nickel 50u"	
1	INSULATOR	LCP, UL94V-0, BLACK	
NO.	PART NAME	DESCRIPTION	
UNLESS OTHERWISE SPECIFIED TOLERANCE			
UNIT:	DECIMAL	LINEAR	ANGLES
mm	X.	±0.50	±5°
	X.X	±0.25	±3°
	X.XX	±0.12	±1°
DRAWN		Fros	2018/12/06
CHECKED		Tim	2018/12/06
APPROVED		Ken	2018/12/06
SCALE		2.8	SHEET 1/1
SIZE		A4	
DRAWN NAME:		M.2 Socket, H2.1 E Key	
PRODUCT NO.		123A-21E00	
FILE NAME		123A-21E00_B_1.3	



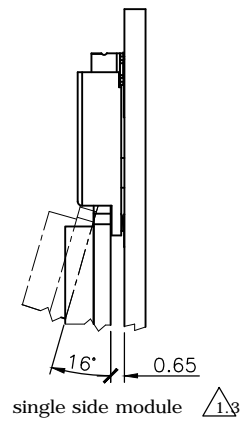
WWW.ATTEND.COM.TW



Date code: YWWD
 Y=Year, 0~9
 WW=Week, 1~52
 D=Day, 1~7



Recommended Layout (Top View)
 General Tolerance: ±0.05mm



REV.	DESCRIPTION	DRAWN	DATE
1.1	Add flatness tolerance	FROS	2019/08/07
1.2	Corrected temperature to 85°C	FROS	2019/08/15
1.3	add note	FROS	2019/08/29

SPECIFICATION:

- ELECTRICAL**
 - Current Rating: 0.5A per pin
 - Voltage Rating: 50VAC
 - Contact Resistance: 50mΩ
 - Insulation Resistance: 500MΩ
 - Dielectric Withstanding Voltage: 300VAC

- MECHANICAL**
 - Durability: 60 Cycle
 - Mating Force: 20N max.
 - Un-mating Force: 25N max.

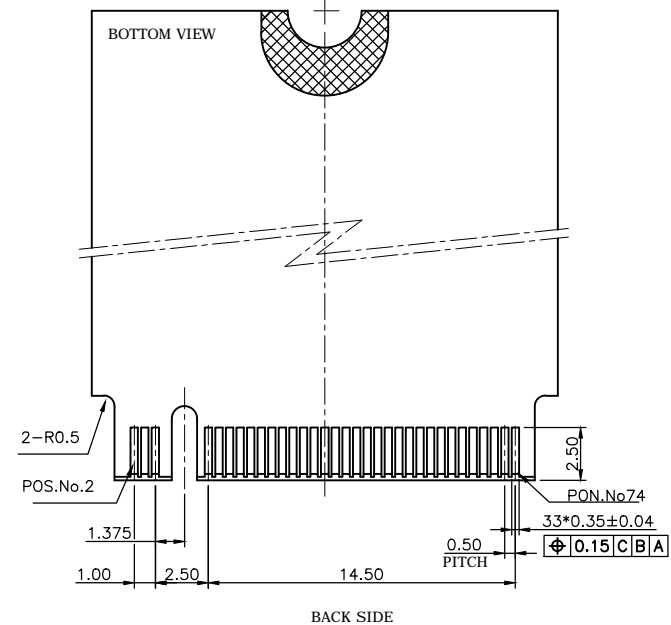
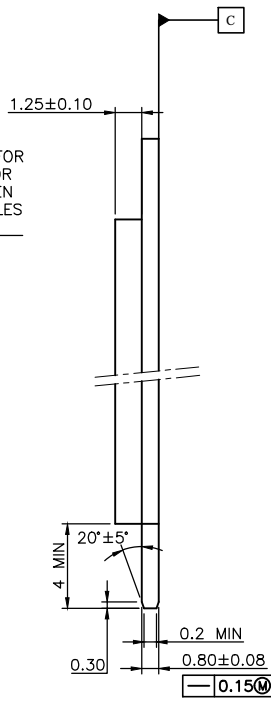
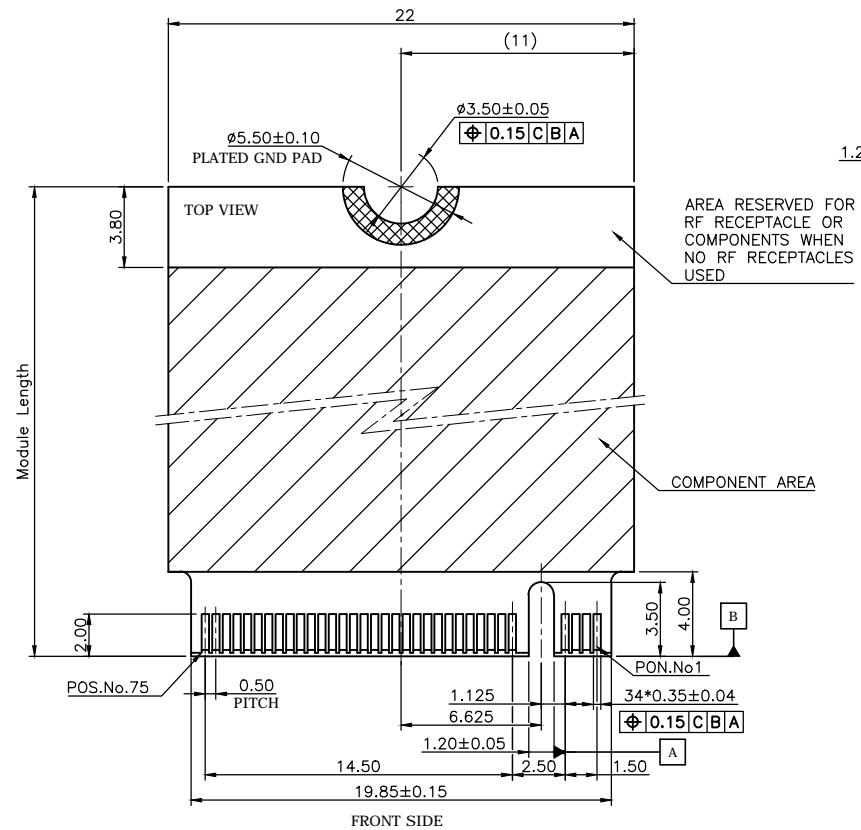
- ENVIRONMENTAL**
 - Operating temperature range: -40°C~+85°C
 - Storage temperature range: -40°C~+85°C

- SOLDER ABILITY**
 - Recommended IR Reflow (Wave Soldering) Temperature: 260°C


4	HOLD DOWN	BRASS, C2680R-H, 100u" Matte Tin plated, under-plated Nickel 50u"	
3	LOWER CONTACT	PHOSPHOR BRONZE, C5210R-EH	
2	UPPER CONTACT	Contact area: Gold flash, Solder area: Gold flash, all under-plated Nickel 50u"	
1	INSULATOR	LCP, UL94V-0, BLACK	
NO.	PART NAME	DESCRIPTION	
UNLESS OTHERWISE SPECIFIED TOLERANCE			
UNIT:	DECIMAL	LINEAR	ANGLES
mm	X.	±0.50	±5°
	X.X	±0.25	±3°
	X.XX	±0.12	±1°
WWW.ATTEND.COM.TW			
DRAWN	Fros	2018/12/06	DRAWN NAME:
CHECKED	Tim	2018/12/06	M.2 Socket, H2.1 M Key 0.5 Pitch G/F, Black, Reel
APPROVED	Ken	2018/12/06	PRODUCT NO.
SCALE	2.8	SHEET	1/1
SIZE	A4	FILE NAME	123A-21M00_B_1.3



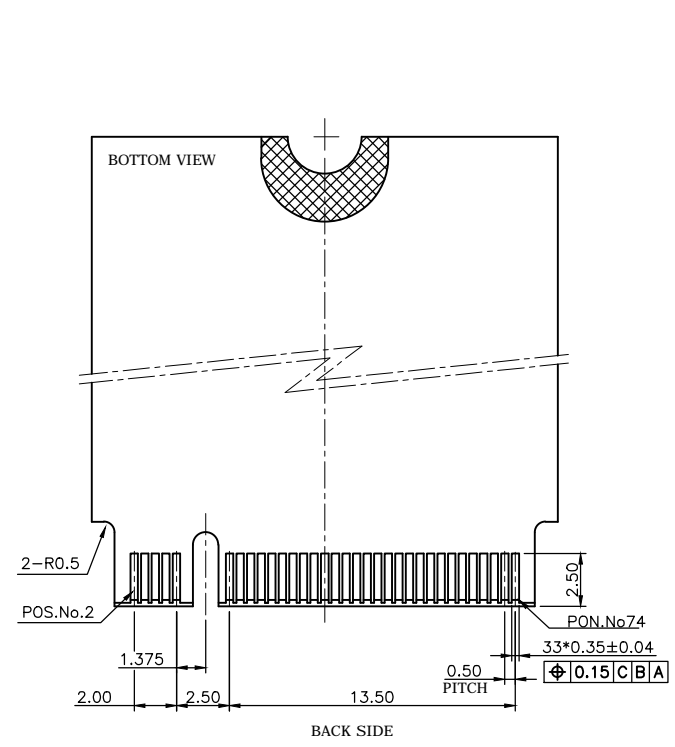
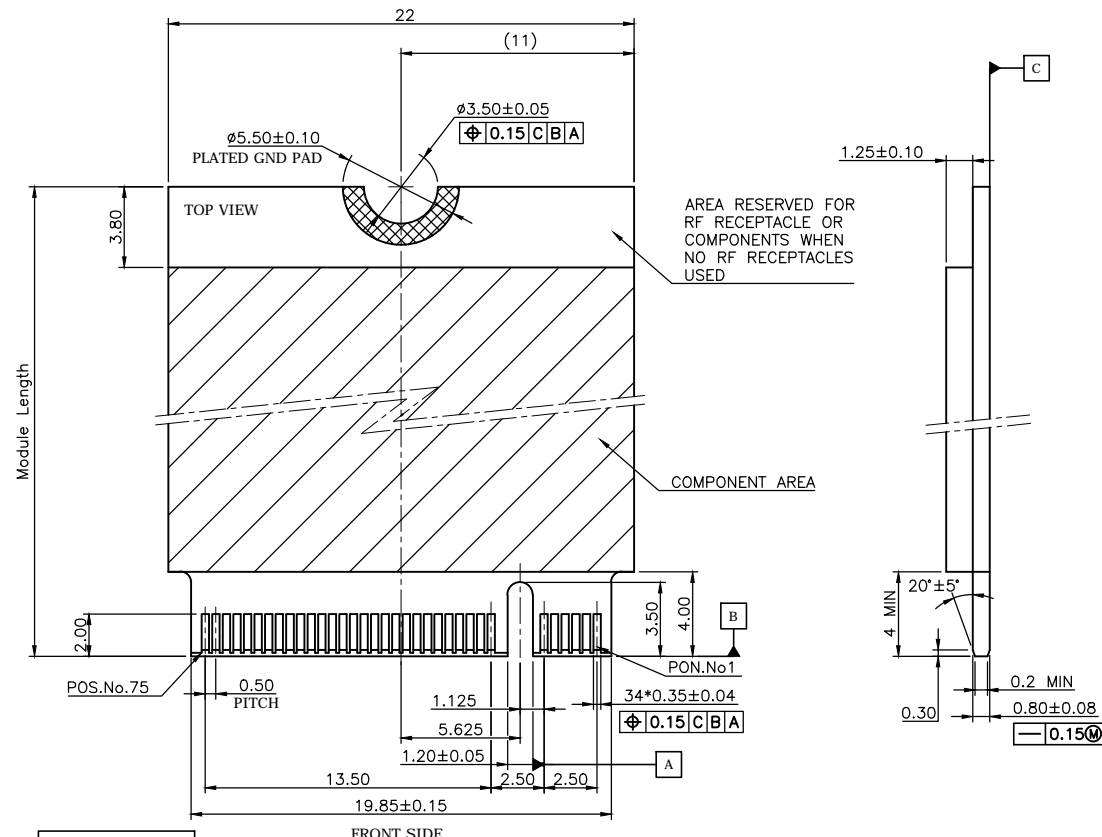
REV.	DESCRIPTION	DRAWN	DATE
1	INITIAL RELEASE	FROS	2019/01/09
1.1	Corrected	FROS	2019/09/11



KEY ID "A"
RECOMMENDED MODULE LAYOUT

UNLESS OTHERWISE SPECIFIED TOLERANCE					
UNIT:	DECIMAL	LINEAR	ANGLES		
mm	X.	±0.50	±5°	www.attend.com.tw	
	X.X	±0.25	±3°		
	X.XX	±0.12	±1°		
DRAWN	Fros	2019/01/09	DRAWN NAME:		
CHECKED	Tim	2019/01/09	PCI Express M.2 Specification S2 Module Dimensions		
APPROVED	Ken	2019/01/09	PRODUCT NO.	N/A	
SCALE	2.8	SHEET	1/4	SIZE	A4
FILE NAME		123A-CARD_S2_B_1.1			

REV.	DESCRIPTION	DRAWN	DATE
1	INITIAL RELEASE	FROS	2019/01/09
1.1	Corrected	FROS	2019/09/11



Module Length (mm)
42
60
80
110

KEY ID "B"
RECOMMENDED MODULE LAYOUT

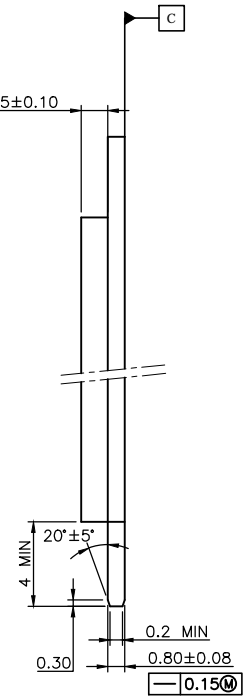
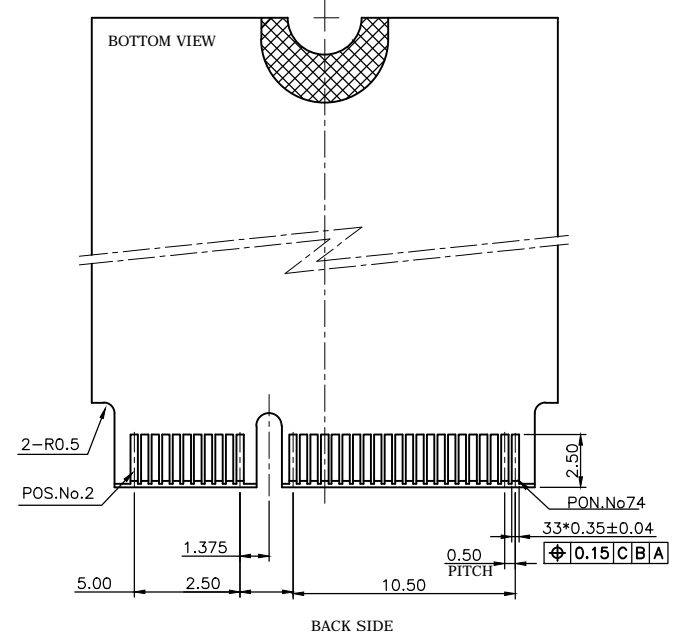
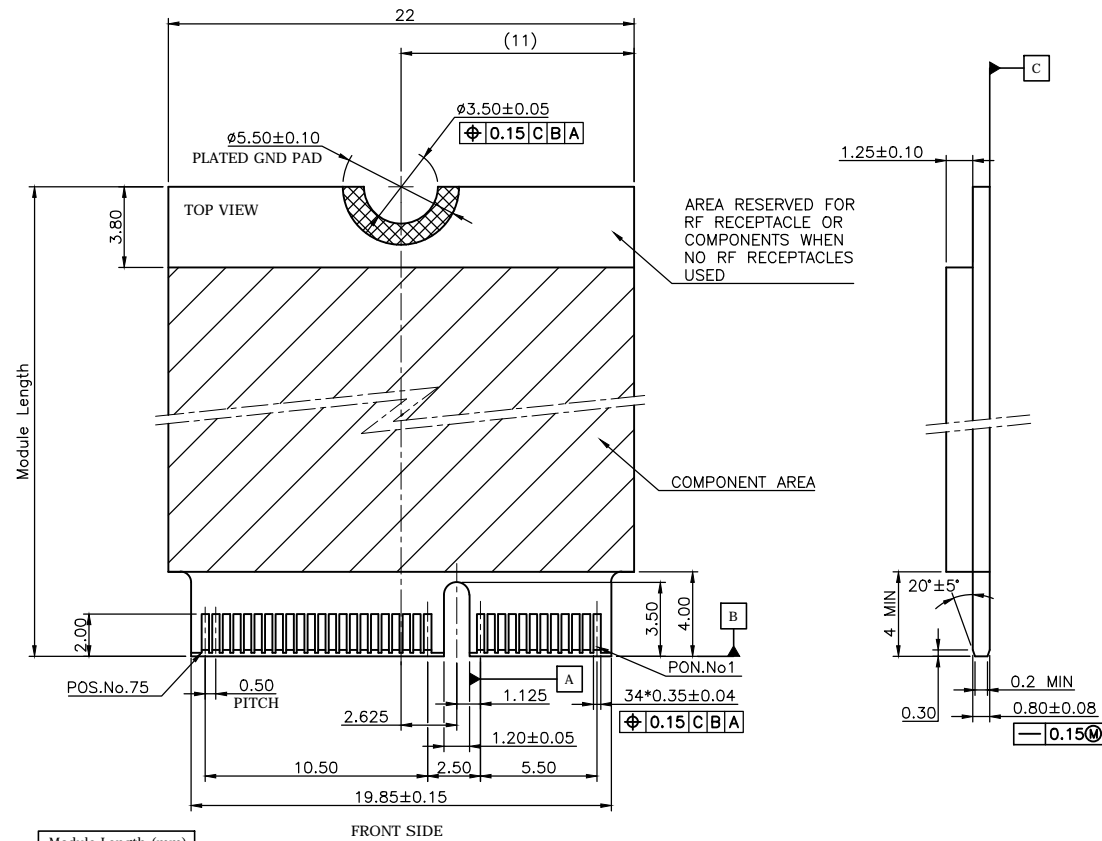
UNLESS OTHERWISE SPECIFIED TOLERANCE			
UNIT:	DECIMAL	LINEAR	ANGLES
mm	X.	±0.50	±5°
	X.X	±0.25	±3°
	X.XX	±0.12	±1°



www.attend.com.tw


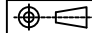
DRAWN	Fros	2019/01/09	DRAWN NAME:	
CHECKED	Tim	2019/01/09	PCI Express M.2 Specification	
APPROVED	Ken	2019/01/09	S2 Module Dimensions	
			PRODUCT NO.	N/A
			FILE NAME	123A-CARD_S2_B_1.1

REV.	DESCRIPTION	DRAWN	DATE
1	INITIAL RELEASE	FROS	2019/01/09
1.1	Corrected	FROS	2019/09/11

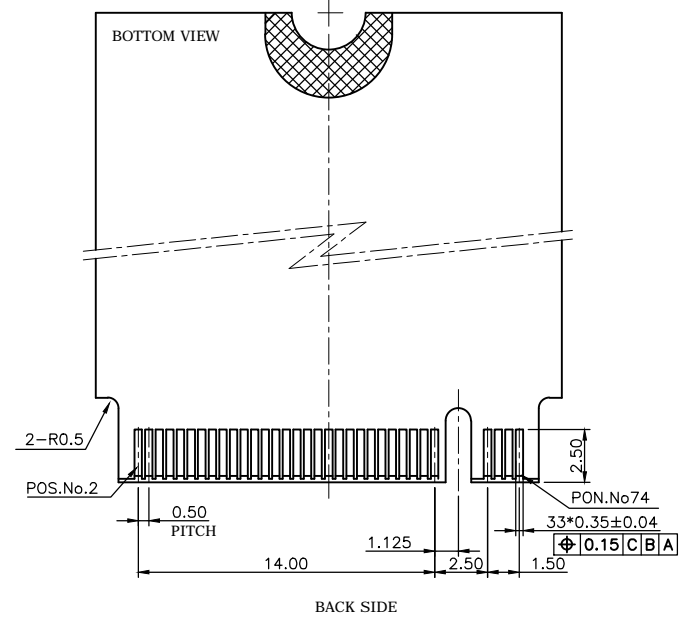
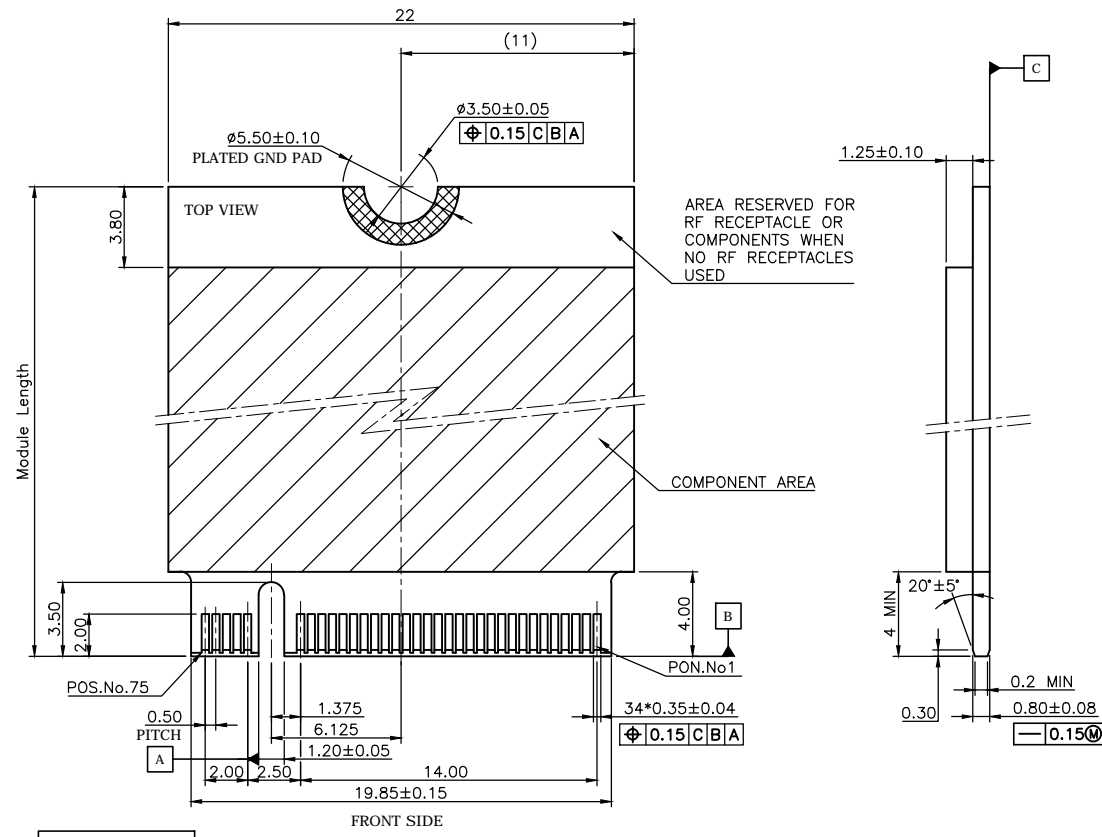


Module Length (mm)
42
60
80
110

KEY ID "E"
RECOMMENDED MODULE LAYOUT

UNLESS OTHERWISE SPECIFIED TOLERANCE					
UNIT:	DECIMAL	LINEAR	ANGLES		
mm	X.	±0.50	±5°	www.attend.com.tw	
	X.X	±0.25	±3°		
	X.XX	±0.12	±1°		
DRAWN	Fros	2019/01/09	DRAWN NAME:		
CHECKED	Tim	2019/01/09	PCI Express M.2 Specification S2 Module Dimensions		
APPROVED	Ken	2019/01/09	PRODUCT NO.	N/A	
	SCALE 2.8	SHEET 3/4	SIZE A4	FILE NAME	123A-CARD_S2_B_1.1


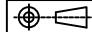
REV.	DESCRIPTION	DRAWN	DATE
1	INITIAL RELEASE	FROS	2019/01/09
1.1	Corrected	FROS	2019/09/11



Module Length (mm)
42
60
80
110

KEY ID "M"

RECOMMENDED MODULE LAYOUT

UNLESS OTHERWISE SPECIFIED TOLERANCE					
UNIT:	DECIMAL	LINEAR	ANGLES		
mm	X.	±0.50	±5°	www.attend.com.tw	
	X.X	±0.25	±3°		
	X.XX	±0.12	±1°		
DRAWN	Fros	2019/01/09	DRAWN NAME:		
CHECKED	Tim	2019/01/09	PCI Express M.2 Specification S2 Module Dimensions		
APPROVED	Ken	2019/01/09	PRODUCT NO.	N/A	
	SCALE	SHEET	SIZE	FILE NAME	123A-CARD_S2_B_1.1
	2.8	4/4	A4		

REV.	DESCRIPTION	DRAWN	DATE
1	INITIAL RELEASE	TIM	2018/01/19

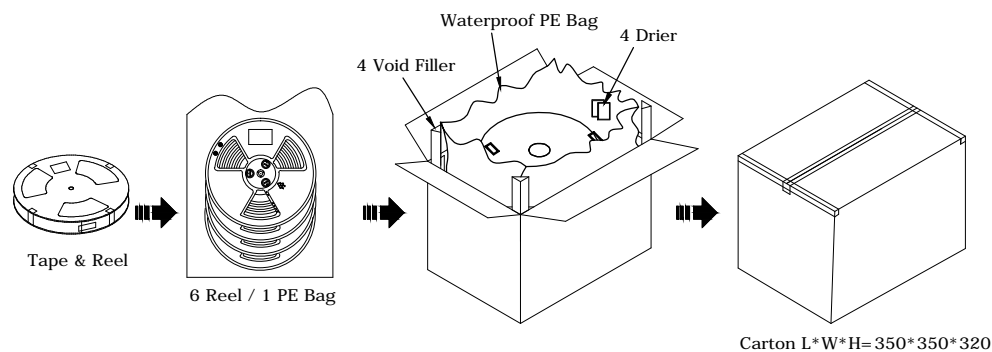
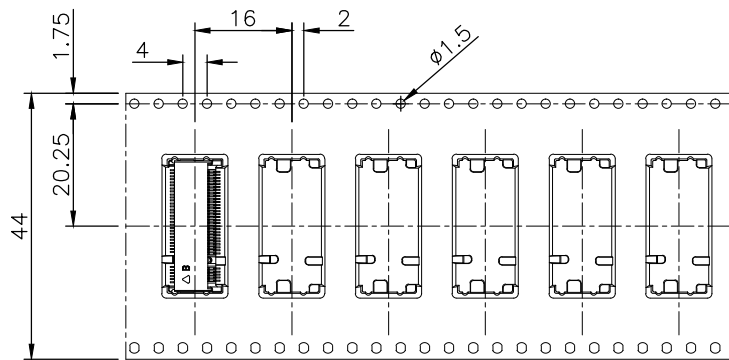
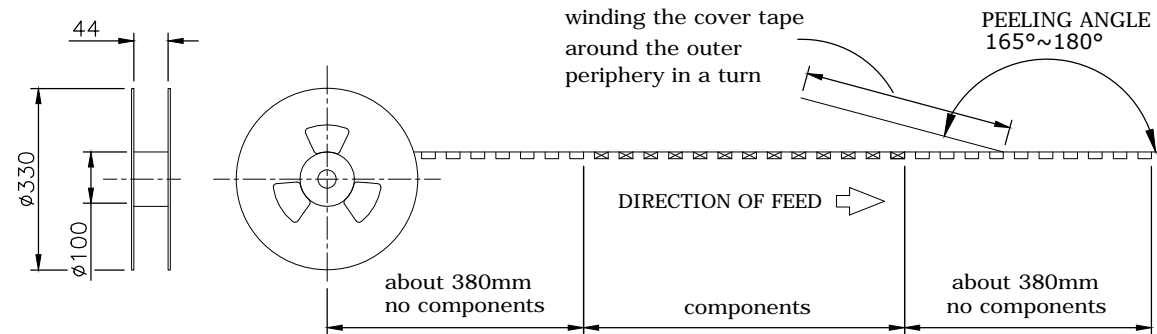
PACKAGING SPECIFICATION:


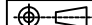
1. MATERIAL

- 1.1 Embossed Carrier Tape: PS Black
- 1.2 Top Cover Tape: PET
20-80g(Peel Speed 300mm/Minute)
- 1.3 Taping Reel: Plastic

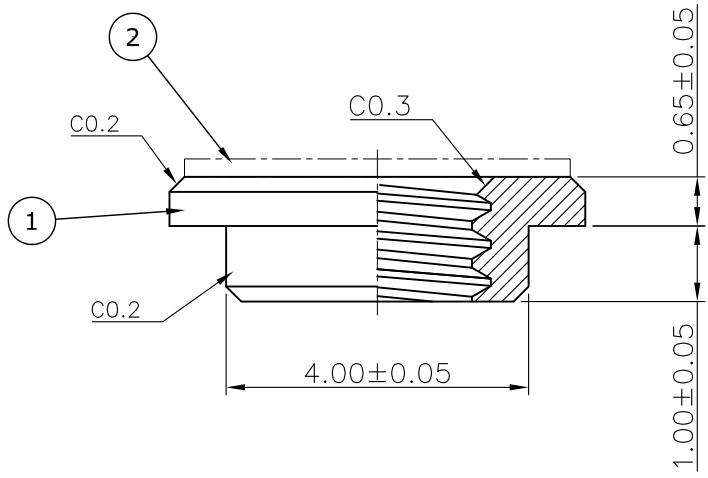
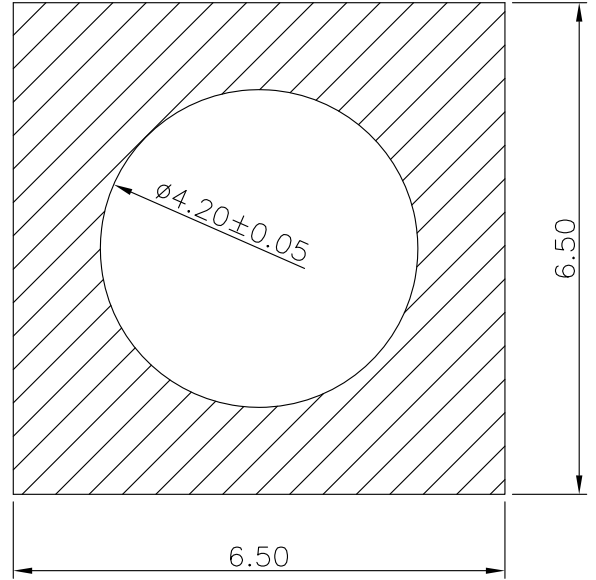
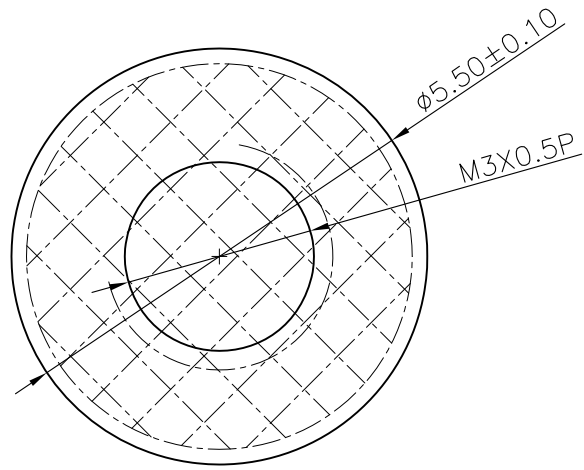
2. Packaging:

P/N	Height	Reel	Carton
123A-21X00	2.15	1200	7200
123A-30X00	3.05	900	5400
123A-40X00	4.05	700	4200
123A-58X00	5.80	600	3600





UNLESS OTHERWISE SPECIFIED TOLERANCE					
UNIT:	DECIMAL	LINEAR	ANGLES		
mm	X.	±0.50	±5°	WWW.ATTEND.COM.TW	
	X.X	±0.25	±3°		
	X.XX	±0.12	±1°		
DRAWN	Tim	2018/01/19	DRAWN NAME: M.2 CONNECTOR PACKAGING		
CHECKED	Fros	2018/01/19			
APPROVED	Ken	2018/01/19	PRODUCT NO.	123A-XXX00	
	SCALE 0.8	SHEET 1/1	SIZE A4	FILE NAME	123A-XXX00_D_1

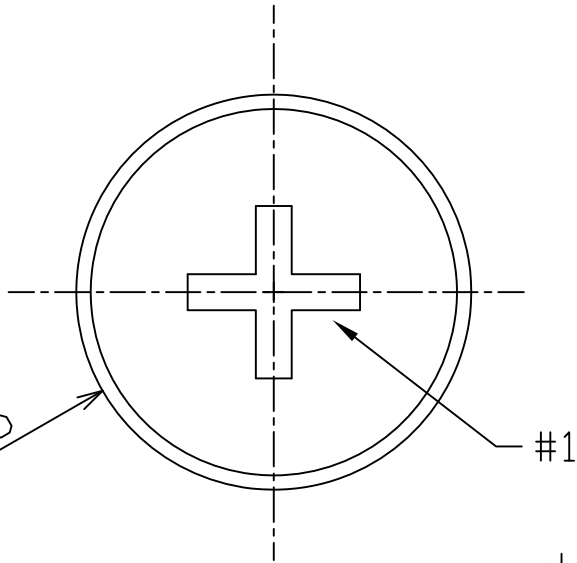
REV.	DESCRIPTION	DRAWN	DATE
1	INITIAL RELEASE	FROS	2015/07/03



RECOMMEND LAYOUT
GENERAL TOLERANCE: ±0.1

2	MYLAY			
1	NUT	Copper Alloy, Sn plated		
NO.	PART NAME	DESCRIPTION		
UNLESS OTHERWISE SPECIFIED TOLERANCE				
UNIT:	DECIMAL	LINEAR	ANGLES	
mm	X.	±0.50	±5°	
	X.X	±0.25	±3°	
	X.XX	±0.12	±1°	
			 WWW.ATTEND.COM.TW	
DRAWN	Fros	2015/07/03	DRAWN NAME: M.2 Connector Stand off	
CHECKED	Zola	2015/07/03		
APPROVED	Ken	2015/07/03	PRODUCT NO. 123A-NUT-22	
	SCALE 1/1	SHEET 1/1	SIZE A4	FILE NAME 123A-NUT-22_B_1

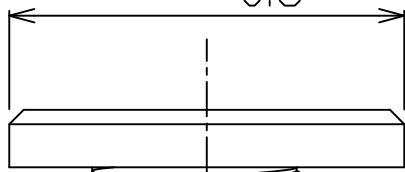
$\varnothing 5.5^{+0}_{-0.5}$



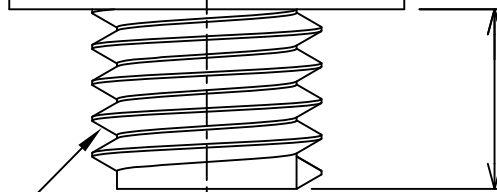
#1

$\varnothing 5.5^{+0}_{-0.5}$

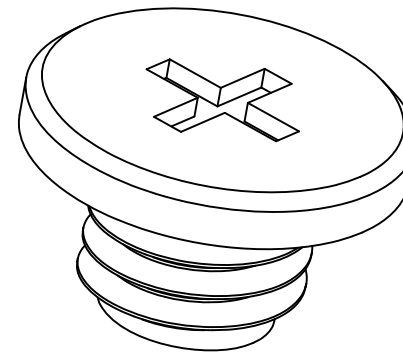
0.8 ± 0.1



$2.5^{+0}_{-0.3}$



M3.0*P0.50



Note:
1.Material: Low-carbon steel
2.Plating: Nickel

UNLESS OTHERWISE SPECIFIED TOLERANCE		
ANGLES	ANG.	$\pm 5^\circ$
LINEAR	0.	± 0.3
	0.0	± 0.25
	0.00	± 0.20
SCALE	AS SHOWN	UNIT: mm
DRAWN	Willis	2013/08/06
CHECKED	Angel	2013/08/06
APPROVED	Ken	2013/08/06



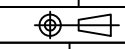
www.attend.com.tw

DRAWN NAME: M.2 Series Screw

PRODUCT NO. 123A-SCREW

FILE NAME 123A-SCREW_B_1

REV.	DESCRIPTION	DATE	REV.	DESCRIPTION	DATE
1					
2					
3					
4					
5					
6					
7					



SIZE A4

REV. 1.0