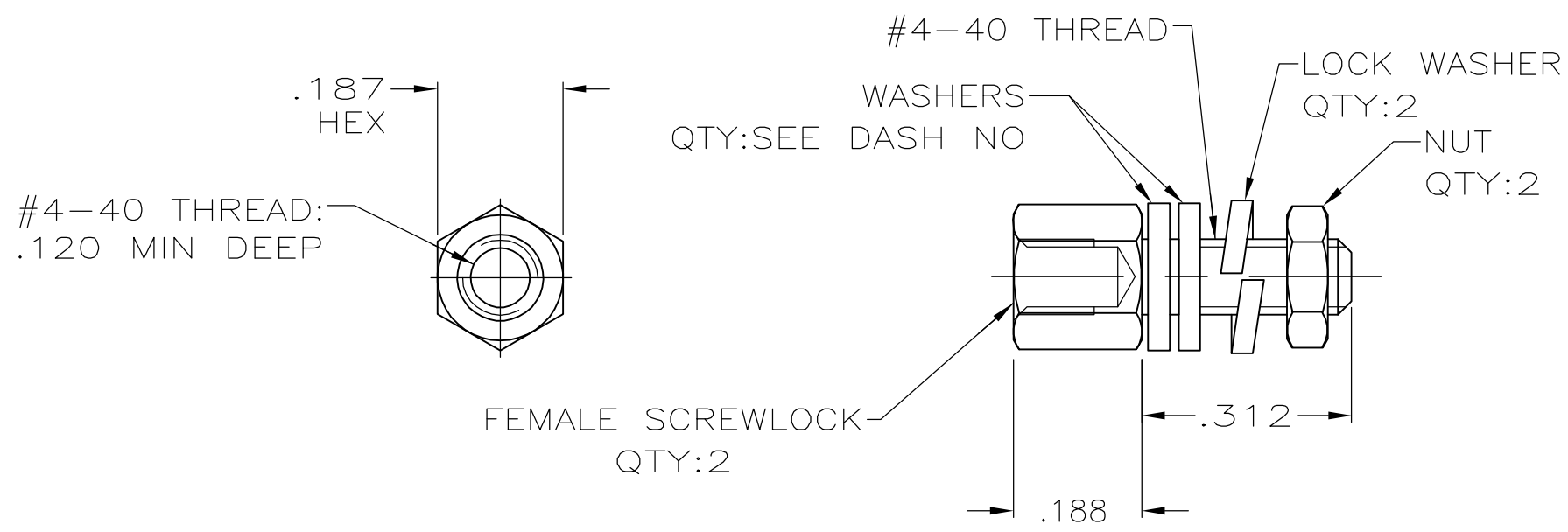


THIS DRAWING IS UNPUBLISHED. RELEASED FOR PUBLICATION
 © COPYRIGHT BY TYCO ELECTRONICS CORPORATION. ALL RIGHTS RESERVED.

LOC	DIST	REVISIONS					
BD	48	P	LTR	DESCRIPTION	DATE	DWN	APVD
			A	REVISED PER ECO-06-023509	04DEC06	JDP	CWR



- 1 ZINC PLATED .000200-000400 THICK YELLOW CHROMATE COATING.
- 2 ZINC PLATED .000200-000400 THICK CLEAR CHROMATE COATING.
- 3. PARTS PACKAGED UNASSEMBLED.
- 4 PARTS PACKED AS A UNIT KIT.
- 5 PARTS INDIVIDUALLY BULK PACKED & SHIPPED AS A UNIT PACKAGE.
- 6. IDENTIFIED BY MIL SPEC PART NUMBER M24308/26-01 FOR -8 ONLY & TYCO PART NUMBER (FOR ALL DASH NUMBERS).
- 7 CHROMATE FINISH PER ASTM B633 EXCEPT FOR USE OF TRIVALENT CHROMIUM TO MEET RoHS REGULATIONS.

PACKAGING	NO OF WASHERS	FINISH	PART NUMBER
4	6	1/7	5205817-8
5	4	2	5205817-4
4	4	2	5205817-3
5	4	1	5205817-2
4	4	1	5205817-1

THIS DRAWING IS A CONTROLLED DOCUMENT.		DWN S.WAITMAN 27JUN05	Tyco Electronics Corporation Harrisburg, PA 17105-3608		
DIMENSIONS: INCHES		CHK C.ROHDE 27JUN05			
TOLERANCES UNLESS OTHERWISE SPECIFIED:		APVD M.WALMSLEY 27JUN05	NAME KIT, SCREWLOCK, FEMALE, AMPLIMITE		
0 PLC ± - 1 PLC ± - 2 PLC ± - 3 PLC ± .005 4 PLC ± - ANGLES ± -		PRODUCT SPEC -	RESTRICTED TO -		
MATERIAL COLD ROLLED STEEL		FINISH SEE TABLE	SIZE A3	CAGE CODE 00779	DRAWING NO C-5205817
CUSTOMER DRAWING			SCALE 4:1	SHEET 1 OF 1	REV A