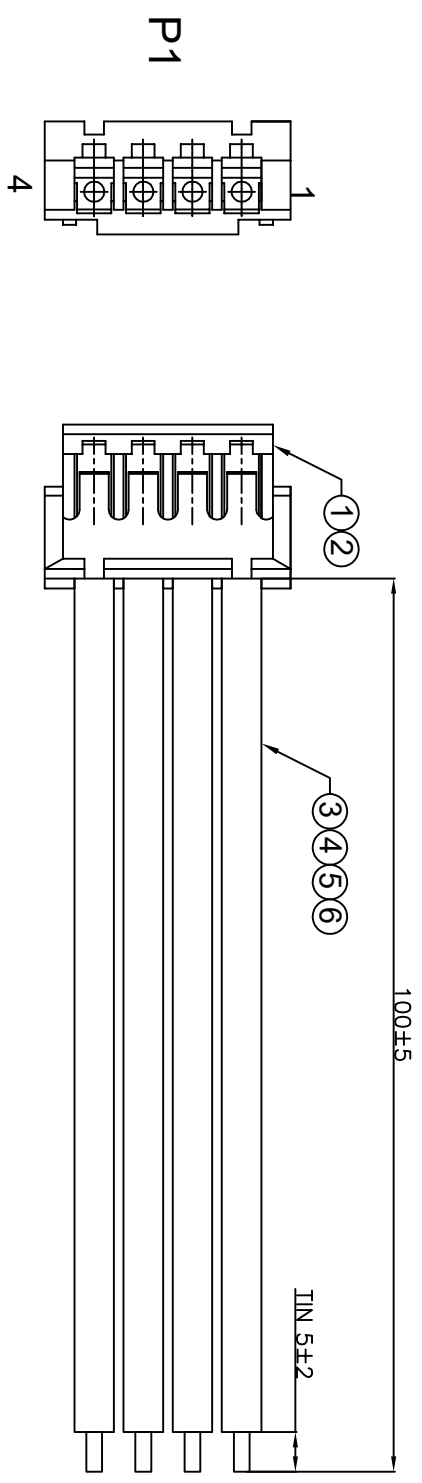


Weight: g/pcs

RoHS Compliant



| | |
|----|-------|
| 4 | White |
| 3 | Green |
| 2 | Black |
| 1 | Red |
| P1 | COLOR |

PIN ASSIGNMENT

| | | | | | |
|---|-------------------|---|-----|-----|--|
| ⑥ | UL 100728T SWT201 | UL1007 28AWG TS7X0.127X1.2 WT WIRE*1 L=109MM | MM | 105 | |
| ⑤ | UL 100728T SGN201 | UL 1007 28AWG TS7X0.127X1.2 GN WIRE*1 L=109MM | MM | 105 | |
| ④ | UL 100728T SRD201 | UL1007 28AWG TS7X0.127X1.2 RD WIRE*1 L=109MM | MM | 105 | |
| ③ | UL 100728T SBK201 | UL 1007 28AWG TS7X0.127X1.2 BK WIRE*1 L=109MM | MM | 105 | |
| ② | SCT1501TPS126 | ZH 1.5MM PHOSPHOR BRONZE TIN-PLATED TERMINAL | PCS | 4 | |
| ① | SCT1501H-44BWT102 | ZH 1.5MM PA66 VO WHITE 4PIN HOUSING | PCS | 1 | |

SCONDAR
SCONDAR ELECTRONIC LIMITED

TOLERANCES: ±0.3mm

| | | | | | |
|----------|-------------|------|------|-----|--------|
| REVISONS | | DATE | UNIT | QTY | REMARK |
| REV | DESCRIPTION | DATE | | | |

| | | | | | | | | | |
|-----|-----------------|------|---------|----------|------------|---------|-------------|----------|-------|
| REV | DESCRIPTION | DATE | ECN NO. | DRAWN BY | DATE | SCT P/N | HK0083-0015 | UNIT: mm | PAGE/ |
| A | INITIAL RELEASE | | | Yang | 2022.09.30 | | | 1 of 1 | Rev |

| | | | | | | | | | |
|---|--|--|--|------------|------|--------------|--------|--|---|
| B | | | | CHECKED BY | Lisa | CUSTOMER P/N | HK0083 | | A |
|---|--|--|--|------------|------|--------------|--------|--|---|

| | | | | | | | | | |
|---|--|--|--|-------------|--|--------|--------------------------------------|--|--|
| C | | | | APPROVED BY | | TITLE: | ZH 1.5MM 4Pin Housing TO TIN L=100MM | | |
|---|--|--|--|-------------|--|--------|--------------------------------------|--|--|

| | | | | | | | | | |
|---|--|--|--|--|--|--|--|--|--|
| A | | | | | | | | | |
|---|--|--|--|--|--|--|--|--|--|