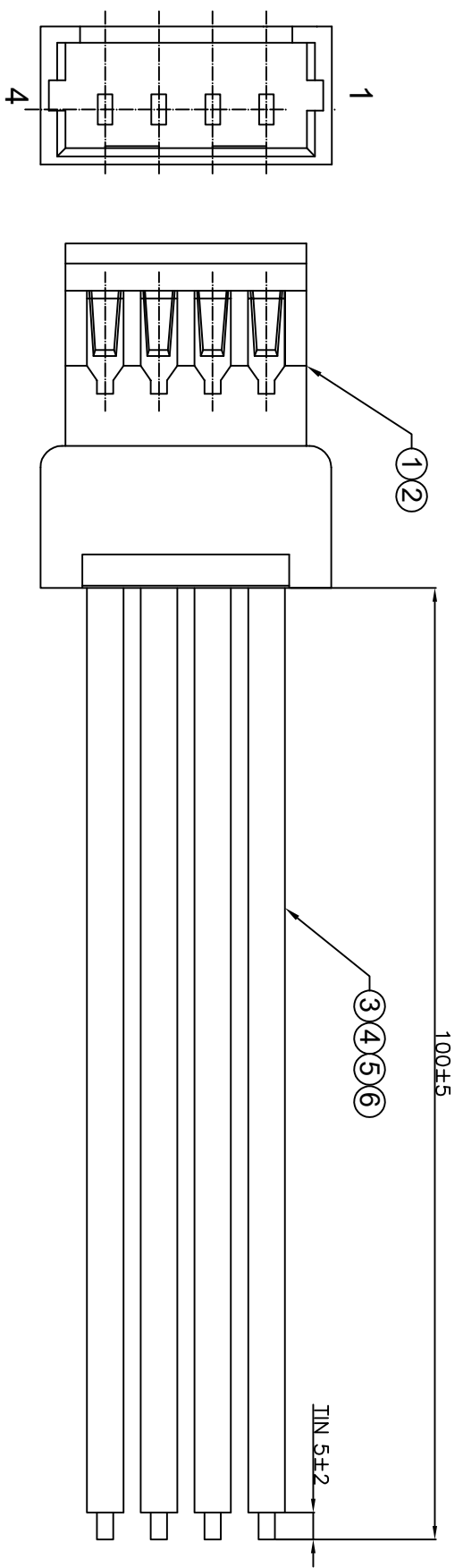


Weight: g/pcs



4	Yellow
3	White
2	Red
1	Black
P1	COLOR

PIN ASSIGNMENT

⑥	UL157128T SYL 201	UL1571 28AWG YL TS7/0.127X0.9 WIRE L=105MM	MM	105	
⑤	UL157128T SWT 201	UL1571 28AWG WT TS7/0.127X0.9 WIRE L=105MM	MM	105	
④	UL157128T SRD 201	UL1571 28AWG RD TS7/0.127X0.9 WIRE L=105MM	MM	105	
③	UL157128T SBK 201	UL1571 28AWG BK TS7/0.127X0.9 WIRE L=105MM	MM	105	
②	SCT1251MT PS113	MXS1021 1.25MM PHOSPHOR BRONZE TIN-PLATED MALE TERMINAL	PCS	4	
①	SCT1251FH-Q4BWT113	MXS1021 1.25MM PA66 V0 04P FEMALE HOUSING	PCS	1	

**SCONDAR**  
SCONDAR ELECTRONIC LIMITED

TOLERANCES: ±0.3mm

UNIT: mm

PAGE/ 1 of 1

REVISIONS

REV	DESCRIPTION	DATE	ECN NO.	DATE	DRAWN BY	CHECKED BY	APPROVED BY
A	INITIAL RELEASE			2022.09.30	Yang	Lisa	
B							
C							

A B C D E F G H