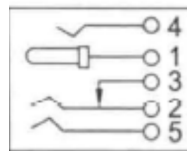
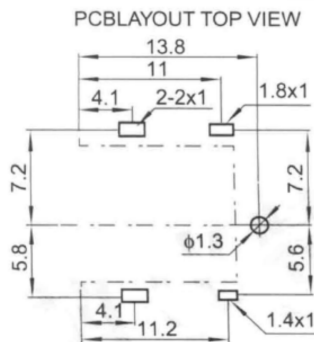
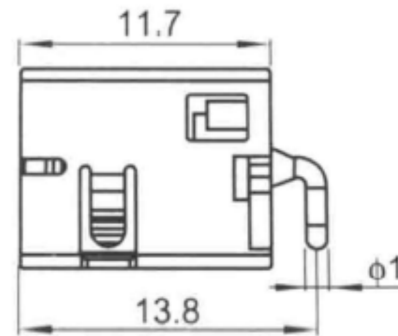
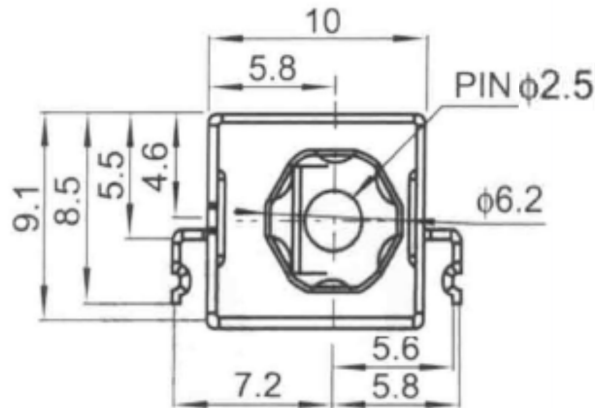


3	Black high temperature plastics UL94 V-0		所有信息: 本文件所有权属于 GLOBTEK 公司, 任何整体和部分的复制都是禁止和非法的, 除非取得 GLOBTEK 公司的授权允许。 PROPRIETARY INFORMATION: PROPRIETARY OF GLOBTEK, INC. ANY REPRODUCTION, DISCLOSURE OR USE OF THIS DRAWING IN WHOLE OR PART, IS HEREBY PROHIBITED EXCEPT AS SPECIFIED IN WRITING BY GLOBTEK, INC.	REVISION			
2	Pin:brass 0.25um Au over Ni			REV	DESCRIPTION	DATE	APPROVED
1	Housing:iron surface plating Ni.			A	Initial Release	2018.08.16	JET
No.	Specification	Qty					



RELEASED
By N.Frost at 3:30 pm, Aug 21, 2018

SPECIFICATIONS

parameter	conditions/description	min	typ	max	units
rated input voltage			50		Vdc
rated input current				10	A
contact resistance				30	mΩ
insulation resistance		100			MΩ
voltage withstand	at 50/60Hz for 1 minute	1500			Vac
Relative humidity				98%	(40°C)
life		10000			cycles

尾注: Globtek 公司不对未经批准而擅自修改部件而影响的安全和性能负责, 终端用户必须参考 UL、CSA 或 EN 标准规定正确的安装。 Foot Note: Globtek Inc. will not be liable for the safety and performance of these parts if unauthorized access and repair occurs. End user should consult applicable UL, CSA or EN standards for proper installation instructions.	禁用: Globtek 产品未经授权不得用于医疗设备中以及危险环境核试验或者飞机上, 除非有 GLOBTEK 公司首席执行官的书面正式批准。 Limitation of Use: Globtek product are not authorized for use as mission critical components in life support, hazardous environment, nuclear or aircraft applications without prior written approval from the CEO of Globtek Inc.	文件内容未经允许不得更改 Contents of this document are subject to change without prior notice	Tolerance table			PART NO 零件号:	/	GlobTek(Suzhou), Co.,Ltd Tel: +86-512-6279-0301 Fax: +86-512-6279-0355 Web: www.globtek.cn
			RANGE	GRADE 1	GRADE 2	GRADE 3	MODEL NO 型号:	
X.X	+/-0.05	+/-0.1	+/-0.2mm	Drawn and Checked By:	Bruce	Tolerances:	DRAWING FOR WIRE P/N: JACK-L-SMT-10A-RA (R)	
X.XX	+/-0.08	+/-0.15	+/-0.1mm	Double Checked By:		Grade 3		
x.xxx	+/-0.12	+/-0.25	+/-0.15mm	Approved By:	Jet			
/	/	/	/				A _s Rev. B SHEET 1 OF 1	

