

NOTES:

1.MATERIALS:

1-1.HOUSING: SEE TABLE ,GLASS FIBER FILLED UL94V-0, COLOR: SEE TABLE.

1-2.CONTACT: SEE TABLE

2.PLATING:

2-1.CONTACT AREA: GOLD, THICKNESS : SEE TABLE .

2-2.SOLDER TAIL: 100 MICROINCH MIN. TIN PLATING.

2-3.UNDER PLATING: NICKEL PLATING OVERALL.

3.DATE CODE: YY MM DD.

4.PRODUCT SPECIFICATION REFER TO PS-87715-200.

5.TEST SUMMARY:REFER TO TS-87715-207.

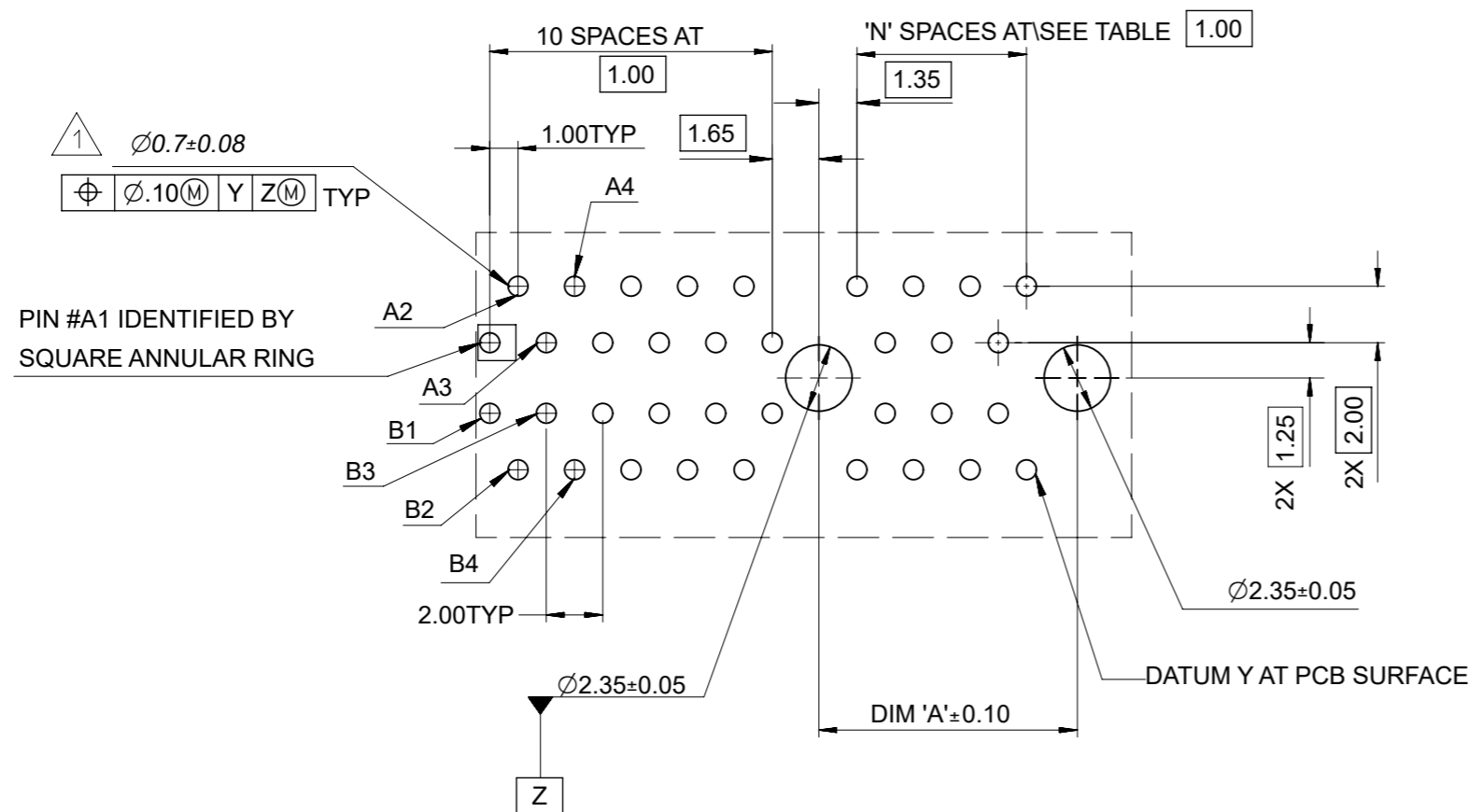
CONNECTOR LINK WIDTH	# POS REF	N	DIM "A"	DIM "B"	DIM "C"
X1	36	6	7.65	25.00	9.15
X16	164	70	71.65	89.00	73.15

PCB THK (REF)	DIM "D"
1.58	2.54
2.36	3.00

THIS DRAWING CONTAINS INFORMATION THAT IS PROPRIETARY TO MOLEX ELECTRONIC TECHNOLOGIES, LLC AND SHOULD NOT BE USED WITHOUT WRITTEN PERMISSION

DIMENSION UNITS	SCALE	CURRENT REV DESC: OBSOLETE PART NUMBERS AS PER PCN 508518	<b>molex</b>		
mm	NTS				
GENERAL TOLERANCES (UNLESS SPECIFIED)			PCI EXPRESS EDGE CARD CONNECTOR (LEAD FREE VERSION)		
			PRODUCT CUSTOMER DRAWING		
4 PLACES	±	±	EC NO: 671087	2021/06/07	
3 PLACES	±	±	DRWN: RPRABHUM	2021/08/06	
2 PLACES	± 0.25	±	CHK'D: GGA	2021/08/06	
1 PLACE	± 0.25	±	APPR: GGA	2021/08/06	
0 PLACES	±	±	INITIAL REVISION:		
ANGULAR TOL ± 3.0°			DRWN: DAVID HU	2007/05/14	
			APPR: JENNY CHEN	2007/05/14	
DRAFT WHERE APPLICABLE MUST REMAIN WITHIN DIMENSIONS	THIRD ANGLE PROJECTION	DRAWING	SERIES	MATERIAL NUMBER	CUSTOMER
		A3-SIZE	87715	SEE TABLE	GENERAL MARKET

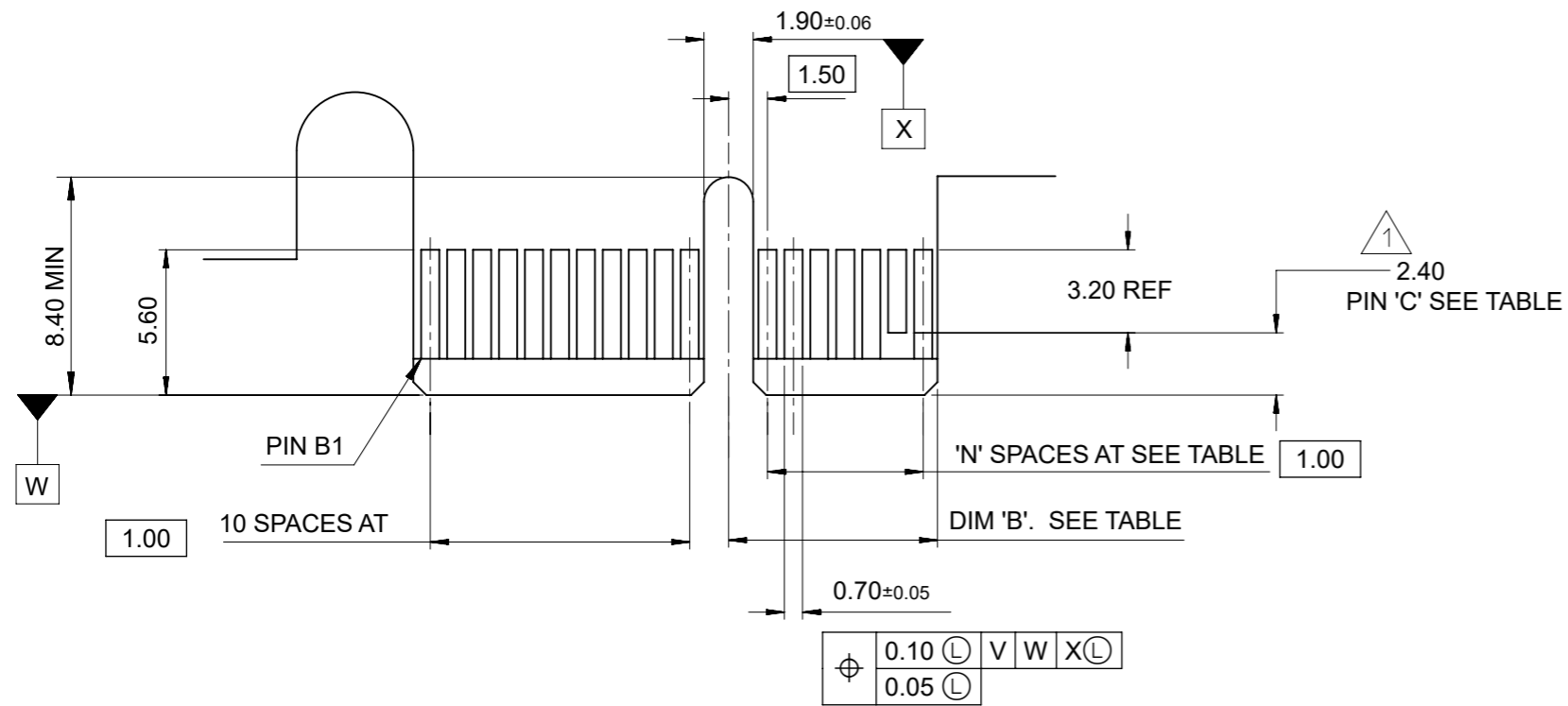
DOCUMENT NUMBER	DOC TYPE	DOC PART	REVISION
SD-87715-901	PSD	001	G
SHEET NUMBER	1 OF 4		



△ THE HORIZONTAL AXIS FOR THE HOLE PATTERN IS ESTABLISHED BY A LINE THROUGH THE CENTER OF THE TWO Ø2.35 HOLES. THE VERTICAL AXIS IS 90° TO THE HORIZONTAL AXIS. THROUGH THE CENTER OF DATUM Z

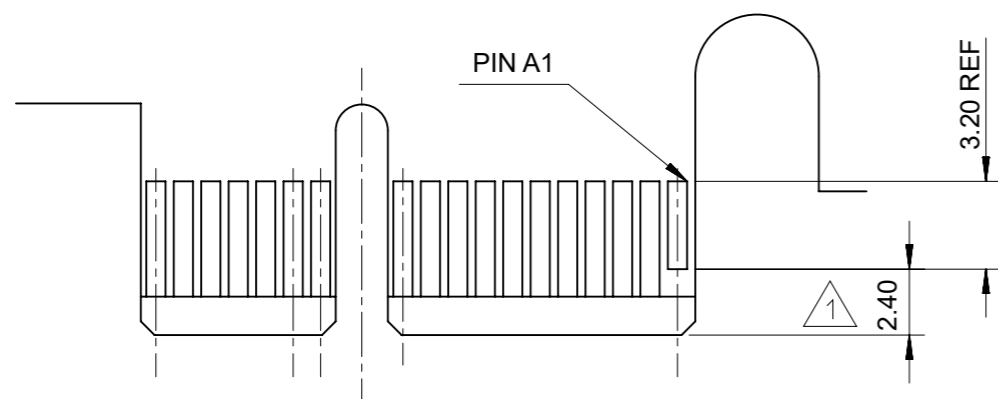
CONNECTOR LINK WIDTH	# POS REF	N	DIM 'A'
X1	36	6	9.15
X16	164	70	73.15

THIS DRAWING CONTAINS INFORMATION THAT IS PROPRIETARY TO MOLEX ELECTRONIC TECHNOLOGIES, LLC AND SHOULD NOT BE USED WITHOUT WRITTEN PERMISSION												
DIMENSION UNITS <b>mm</b>		SCALE <b>NTS</b>		CURRENT REV DESC: OBSOLETE PART NUMBERS AS PER PCN 508518				<b>molex</b>				
GENERAL TOLERANCES (UNLESS SPECIFIED)				EC NO: 671087								
				DRWN: RPRABHUM 2021/08/07				PCI EXPRESS EDGE CARD CONNECTOR (LEAD FREE VERSION)				
				CHK'D: GGA 2021/08/06				PRODUCT CUSTOMER DRAWING				
				APPR: GGA 2021/08/06				DOCUMENT NUMBER				
				INITIAL REVISION:				SD-87715-901		DOC TYPE	DOC PART	REVISION
				DRWN: DAVID HU 2007/05/14				PSD		001	G	
				APPR: JENNY CHEN 2007/05/14				MATERIAL NUMBER		CUSTOMER		SHEET NUMBER
DRAFT WHERE APPLICABLE MUST REMAIN WITHIN DIMENSIONS		THIRD ANGLE PROJECTION		DRAWING	SERIES	MATERIAL NUMBER	CUSTOMER		SHEET NUMBER			
				A3-SIZE	87715	SEE TABLE	GENERAL MARKET		2 OF 4			



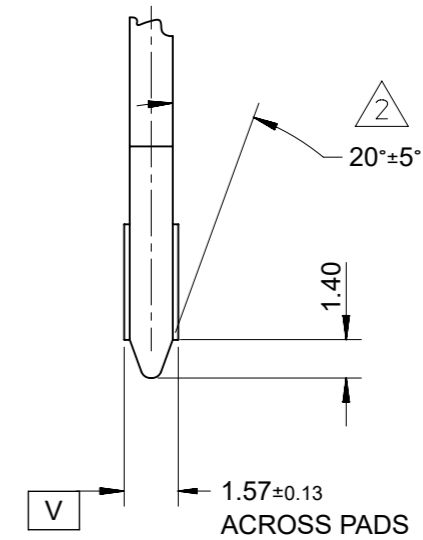
← I/O PANEL DIRECTION

PRIMARY (COMPONENT) SIDE



I/O PANEL DIRECTION →

SECONDARY (SOLDER) SIDE



1 NO TIE BAR PERMITTED FROM CARD EDGE TO LEADING EDGE OF PAD FOR PINS A1 AND "C".

2 CHAMFER EDGES MUST BE FREE OF CUTTING BURRS.


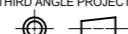
3 TOLERANCE: .XX±.13

CONNECTOR LINK WIDTH	# POS REF	N	DIM 'B'	'C' 1
X1	36	6	8.15	B17
X16	164	70	72.15	B17, B31 B48, B81

THIS DRAWING CONTAINS INFORMATION THAT IS PROPRIETARY TO MOLEX ELECTRONIC TECHNOLOGIES, LLC AND SHOULD NOT BE USED WITHOUT WRITTEN PERMISSION											
DIMENSION UNITS <b>mm</b>		SCALE <b>NTS</b>		CURRENT REV DESC: OBSOLETE PART NUMBERS AS PER PCN 508518				<b>molex</b>		PCI EXPRESS EDGE CARD CONNECTOR (LEAD FREE VERSION)	
GENERAL TOLERANCES (UNLESS SPECIFIED)				EC NO: 671087							
				DRWN: RPRABHUM 2021/06/07				PRODUCT CUSTOMER DRAWING		DOCUMENT NUMBER <b>SD-87715-901</b>	
4 PLACES ±		±		CHK'D: GGA 2021/08/06							
3 PLACES ±		±		APPR: GGA 2021/08/06				DOC TYPE PSD		DOC PART 001	
2 PLACES ±		0.25 ±		INITIAL REVISION:				REVISION G		SHEET NUMBER 3 OF 4	
1 PLACE ±		0.25 ±		DRWN: DAVID HU 2007/05/14				MATERIAL NUMBER SEE TABLE		CUSTOMER GENERAL MARKET	
0 PLACES ±		±		APPR: JENNY CHEN 2007/05/14				SERIES 87715			
ANGULAR TOL ± 3.0°				THIRD ANGLE PROJECTION		DRAWING A3-SIZE					
DRAFT WHERE APPLICABLE MUST REMAIN WITHIN DIMENSIONS				DRAWING A3-SIZE		SERIES 87715		MATERIAL NUMBER SEE TABLE		CUSTOMER GENERAL MARKET	

MOLEX P/N	CIRCUIT SIZE	HOUSING MATERIAL	HOUSING COLOR	TERMINAL MATERIAL	CONTACT PLATING	SOLDER TAIL "D" LENGTH	PEG 1	PEG 2	DESCRIPTION	PACKAGING
87715-9002	36	NYLON46	BLACK	PHOSPHOR BRONZE	15 MICROINCH	2.54	WITH	WITH	TOOLED	TRAY
87715-9005					15 MICROINCH	3.00				
87715-9006					30 MICROINCH	2.54				

MOLEX P/N	CIRCUIT SIZE	HOUSING MATERIAL	HOUSING COLOR	TERMINAL MATERIAL	CONTACT PLATING	SOLDER TAIL "D" LENGTH	PEG 1	PEG 2	DESCRIPTION	PACKAGING
87715-9302	164	NYLON46	BLACK	PHOSPHOR BRONZE	15 MICROINCH	2.54	WITH	WITH	TOOLED	TRAY
87715-9305					15 MICROINCH	3.00				
87715-9306					30 MICROINCH	2.54				

THIS DRAWING CONTAINS INFORMATION THAT IS PROPRIETARY TO MOLEX ELECTRONIC TECHNOLOGIES, LLC AND SHOULD NOT BE USED WITHOUT WRITTEN PERMISSION											
DIMENSION UNITS		SCALE		CURRENT REV DESC: OBSOLETE PART NUMBERS AS PER PCN 508518							
mm		NTS		 PCI EXPRESS EDGE CARD CONNECTOR (LEAD FREE VERSION)							
GENERAL TOLERANCES (UNLESS SPECIFIED)											
				EC NO: 671087 DRWN: RPRABHUM 2021/06/07 CHK'D: GGA 2021/08/06 APPR: GGA 2021/08/06 INITIAL REVISION: DRWN: DAVID HU 2007/05/14 APPR: JENNY CHEN 2007/05/14							
4 PLACES ±		±									
3 PLACES ±		±									
2 PLACES ±		0.25 ±									
1 PLACE ±		0.25 ±		DOCUMENT NUMBER				DOC TYPE		DOC PART REVISION	
0 PLACES ±		±		SD-87715-901				PSD		001 G	
ANGULAR TOL ±		3.0°		DRAWING				SERIES		MATERIAL NUMBER	
DRAFT WHERE APPLICABLE MUST REMAIN WITHIN DIMENSIONS		THIRD ANGLE PROJECTION		DRAWING		SERIES		MATERIAL NUMBER		CUSTOMER	
				A3-SIZE		87715		SEE TABLE		GENERAL MARKET	
										SHEET NUMBER	
										4 OF 4	

DOCUMENT STATUS	P1	RELEASE DATE	2021/08/06	10:26:02
-----------------	----	--------------	------------	----------