

NOTES:

1.MATERIALS:

1-1.HOUSING: SEE TABLE ,GLASS FIBER FILLED UL94V-0,  
COLOR: SEE TABLE.

1-2.CONTACT: SEE TABLE

2.PLATING:

2-1.CONTACT AREA: GOLD, THICKNESS : SEE TABLE .

2-2.SOLDER TAIL: 100 MICROINCH MIN. TIN PLATING.

2-3.UNDER PLATING: 50 MICROINCH MIN. NICKEL PLATING OVERALL.

3.WEEK CODE: XX(YEAR) XX(WEEK) X(LOCATION).

4.PRODUCT SPECIFICATION REFER TO PS-87715-200.

5.PACKAGING SPECIFICATION REFER TO PK-87715-207.

6.TEST SUMMARY:REFER TO TS-87715-207.

7.LEAD FREE AND ROHS COMPLIANCE PRODUCT.

CONNECTOR LINK WIDTH	# POS REF	N	DIM "A"	DIM "B"	DIM "C"
X1	36	6	7.65	25.00	9.15
X4	64	20	21.65	39.00	23.15
X8	98	37	38.65	56.00	40.15
X16	164	70	71.65	89.00	73.15

PCB THK (REF)	DIM "D"
1.60	2.30
1.58	2.54
2.36	3.00

THIS DRAWING CONTAINS INFORMATION THAT IS PROPRIETARY TO MOLEX ELECTRONIC TECHNOLOGIES, LLC AND SHOULD NOT BE USED WITHOUT WRITTEN PERMISSION		CURRENT REV DESC:		<b>molex</b>		
DIMENSION UNITS	SCALE	EC NO: 668799				
mm	NTS	DRWN: CCHEN103 2020/12/25		PCI EXPRESS EDGE CARD CONNECTOR (LEAD FREE VERSION)		
GENERAL TOLERANCES (UNLESS SPECIFIED)		CHK'D: SHLENI 2021/07/16				
		APPR: SHLENI 2021/07/16		PRODUCT CUSTOMER DRAWING		
4 PLACES ±	±	INITIAL REVISION:		DOCUMENT NUMBER		
3 PLACES ±	±	DRWN: TOM 2004/07/20		SD-87715-207		
2 PLACES ±	0.25 ±	APPR: WILSON 2004/07/20		DOC TYPE DOC PART REVISION		
1 PLACE ±	0.25 ±			PSD 001 J2		
0 PLACES ±	±	ANGULAR TOL ± 3.0°		MATERIAL NUMBER CUSTOMER SHEET NUMBER		
DRAFT WHERE APPLICABLE MUST REMAIN WITHIN DIMENSIONS		THIRD ANGLE PROJECTION	DRAWING	SERIES	SEE TABLE GENERAL MARKET	1 OF 5

10

9

8

7

6

5

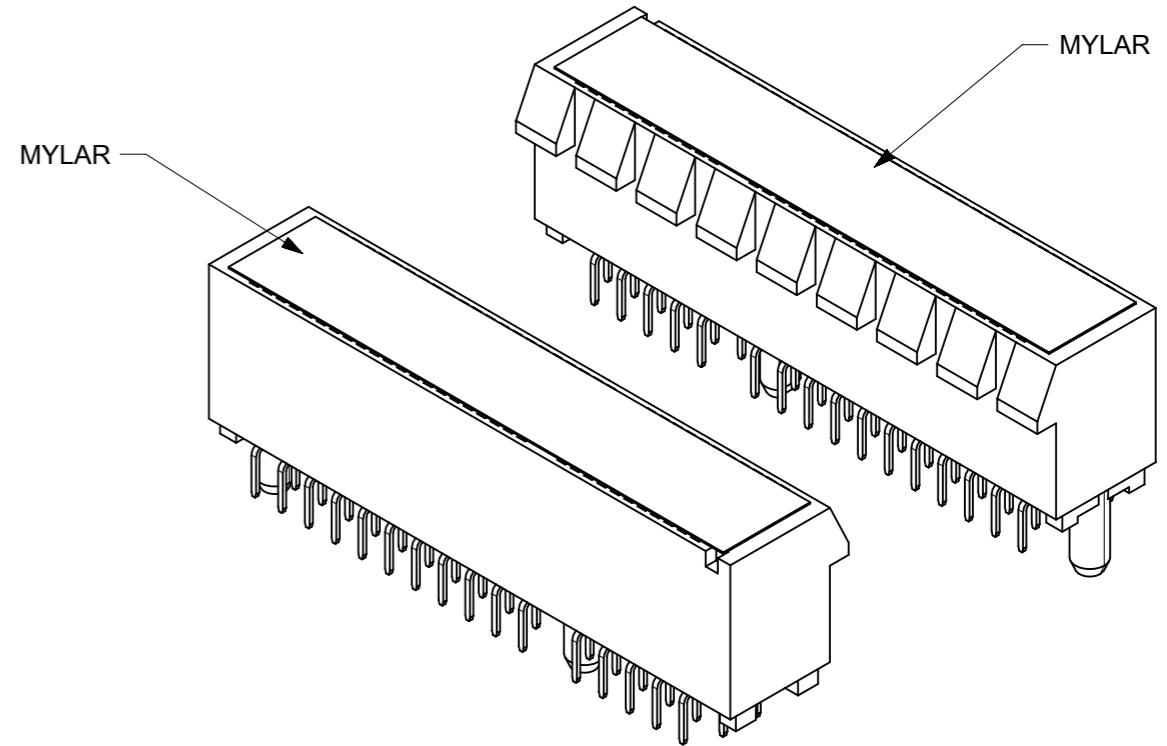
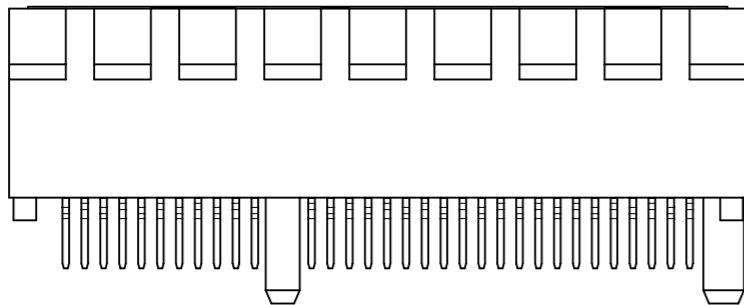
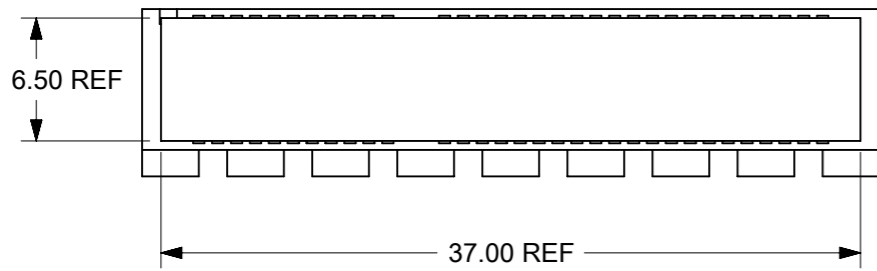
4

3

2

1

MOLEX P/N	CIRCUIT SIZE	HOUSING MATERIAL	HOUSING COLOR	TERMINAL MATERIAL	CONTACT PLATING	SOLDER TAIL "D" LENGTH	NOTES
87715-9154	64	NYLON46	BLACK	PHOSPHOR BRONZE	30 MICROINCH	2.54	WITH MYLAR



THIS DRAWING CONTAINS INFORMATION THAT IS PROPRIETARY TO MOLEX ELECTRONIC TECHNOLOGIES, LLC AND SHOULD NOT BE USED WITHOUT WRITTEN PERMISSION													
DIMENSION UNITS		SCALE		CURRENT REV DESC:				<b>molex</b>					
mm		NTS											
GENERAL TOLERANCES (UNLESS SPECIFIED)				EC NO: 668799 DRWN: CCHEN103 2020/12/25 CHK'D: SHLENI 2021/07/16 APPR: SHLENI 2021/07/16 INITIAL REVISION: DRWN: DRAWN BY 0099/99/99 APPR: APPR BY 0099/99/99				PCI EXPRESS		DOC TYPE   DOC PART   REVISION			
								EDGE CARD CONNECTOR (LEAD FREE VERSION)		PRODUCT CUSTOMER DRAWING			
								DOCUMENT NUMBER		SD-87715-207		PSD 001 J2	
								MATERIAL NUMBER		SEE TABLE		CUSTOMER	
								SERIES		87715		GENERAL MARKET	
								SHEET NUMBER		2 OF 5			
DRAFT WHERE APPLICABLE MUST REMAIN WITHIN DIMENSIONS		THIRD ANGLE PROJECTION		DRAWING		A3-SIZE							

DOCUMENT STATUS	P1	RELEASE DATE	2021/07/16	10:00:09
-----------------	----	--------------	------------	----------

9

8

7

6

5

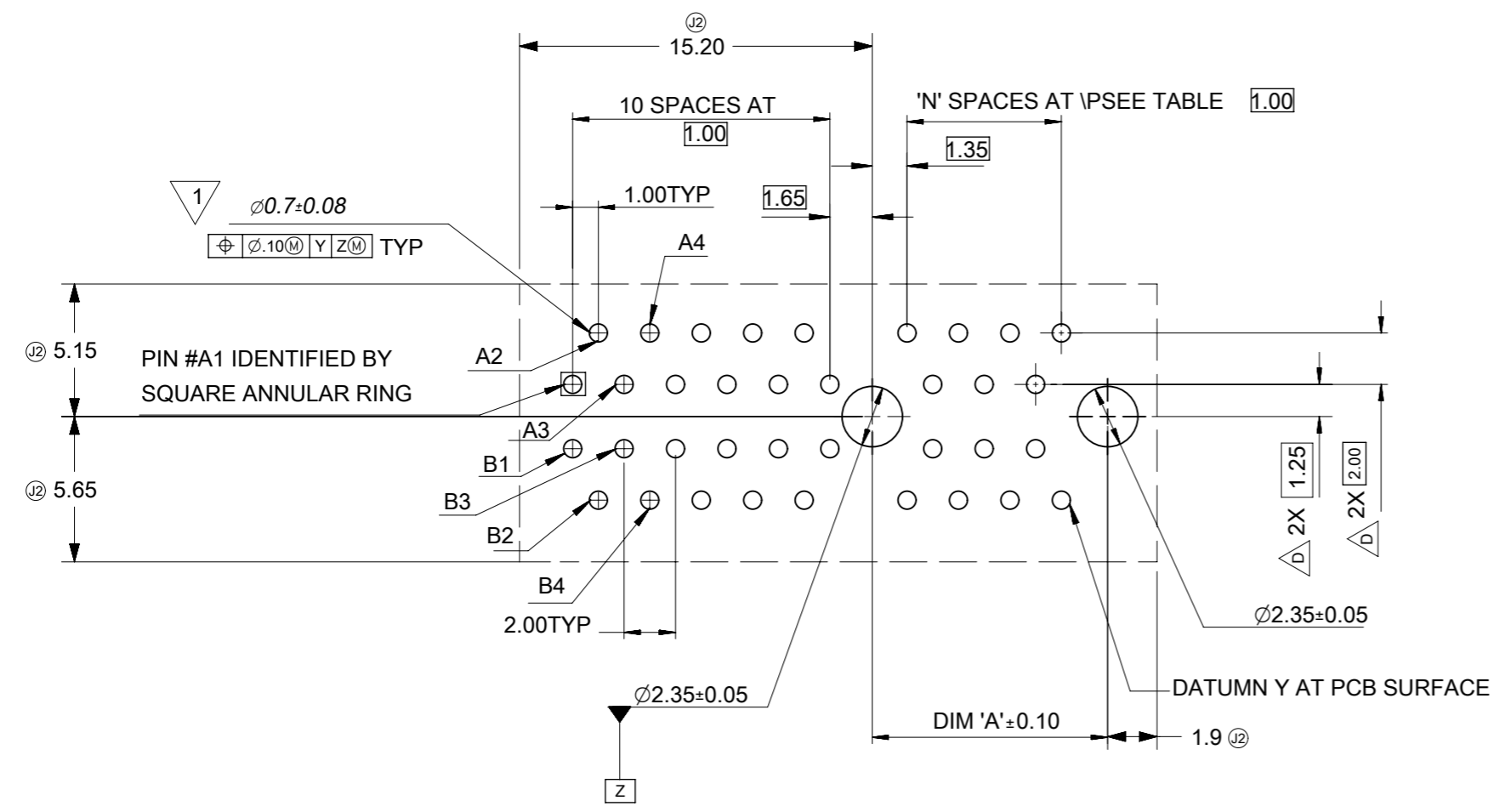
4

3

2

1

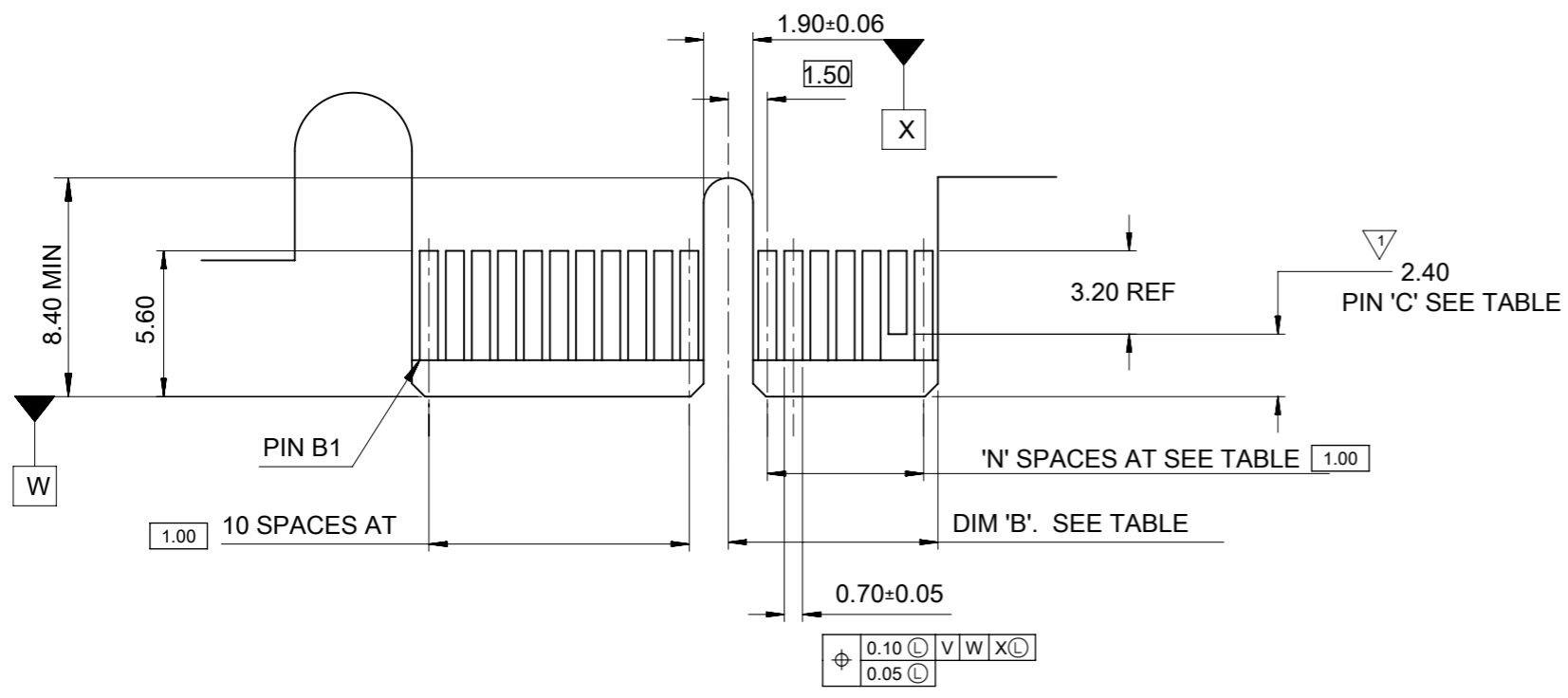
FORMAT: Met legu-master-ib-prod-A3  
REVISION: E  
DATE: 2020/01/14



1 THE HORIZONTAL AXIS FOR THE HOLE PATTERN IS ESTABLISHED BY A LINE THROUGH THE CENTER OF THE TWO  $\varnothing 2.35$  HOLES. THE VERTICAL AXIS IS 90° TO THE HORIZONTAL AXIS. THROUGH THE CENTER OF DATUM Z

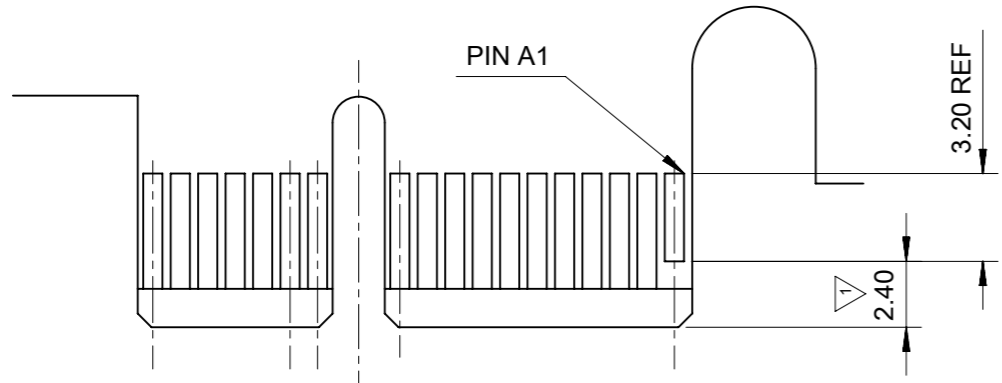
CONNECTOR LINK WIDTH	# POS REF	N	DIM 'A'
X1	36	6	9.15
X4	64	20	23.15
X8	98	37	40.15
X16	164	70	73.15

THIS DRAWING CONTAINS INFORMATION THAT IS PROPRIETARY TO MOLEX ELECTRONIC TECHNOLOGIES, LLC AND SHOULD NOT BE USED WITHOUT WRITTEN PERMISSION									
DIMENSION UNITS		SCALE		CURRENT REV DESC:				<b>molex</b>	
mm		NTS							
GENERAL TOLERANCES (UNLESS SPECIFIED)				EC NO: 668799				PCI EXPRESS	
				DRWN: CCHEN103 2020/12/25				EDGE CARD CONNECTOR (LEAD FREE VERSION)	
4 PLACES ±				CHK'D: SHLENI 2021/07/16				PRODUCT CUSTOMER DRAWING	
3 PLACES ±				APPR: SHLENI 2021/07/16					
2 PLACES ± 0.25 ±				INITIAL REVISION:				DOCUMENT NUMBER	
1 PLACE ± 0.25 ±				DRWN: TOM 2004/07/20				SD-87715-207	
0 PLACES ±				APPR: WILSON 2004/07/20				DOC TYPE DOC PART REVISION	
ANGULAR TOL ± 3.0°				DRAFT WHERE APPLICABLE MUST REMAIN WITHIN DIMENSIONS				PSD 001 J2	
THIRD ANGLE PROJECTION		DRAWING		SERIES		MATERIAL NUMBER		CUSTOMER	
		A3-SIZE		87715		SEE TABLE		GENERAL MARKET	
								SHEET NUMBER	
								3 OF 5	



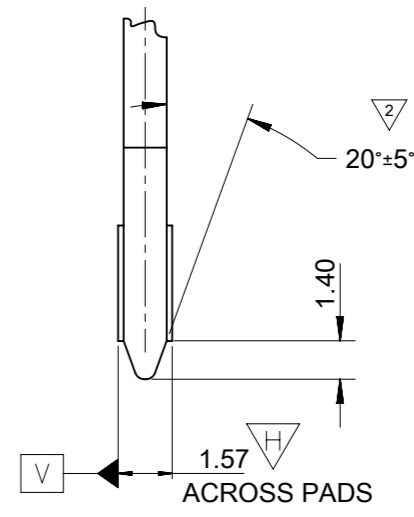
← I/O PANEL DIRECTION

PRIMARY (COMPONENT) SIDE



I/O PANEL DIRECTION →

SECONDARY (SOLDER) SIDE




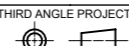
- 1 NO TIE BAR PERMITTED FROM CARD EDGE TO LEADING EDGE OF PAD FOR PINS A1 AND "C".
- 2 CHAMFER EOGES MUST BE FREE OF CUTTING BURRS.
- 3. TOLERANCE: .XX±.13

CONNECTOR LINK WIDTH	# POS REF	N	DIM 'B'	'C'
X1	36	6	8.15	B17
X4	64	20	22.15	B17, B31
X8	98	37	39.15	B17, B31 B48
X16	164	70	72.15	B17, B31 B48, B81

THIS DRAWING CONTAINS INFORMATION THAT IS PROPRIETARY TO MOLEX ELECTRONIC TECHNOLOGIES, LLC AND SHOULD NOT BE USED WITHOUT WRITTEN PERMISSION		CURRENT REV DESC:		<b>molex</b>	
DIMENSION UNITS	SCALE	EC NO: 668799			
mm	NTS	DRWN: CCHEN103 2020/12/25		EDGE CARD CONNECTOR (LEAD FREE VERSION)	
GENERAL TOLERANCES (UNLESS SPECIFIED)		CHK'D: SHLENI 2021/07/16		PRODUCT CUSTOMER DRAWING	
4 PLACES ±		APPR: SHLENI 2021/07/16		DOCUMENT NUMBER	
3 PLACES ±		INITIAL REVISION:		SD-87715-207	
2 PLACES ± 0.25 ±		DRWN: TOM 2004/07/20		DOC TYPE	
1 PLACE ± 0.25 ±		APPR: WILSON 2004/07/20		DOC PART	
0 PLACES ±		ANGULAR TOL ± 3.0°		REVISION	
DRAFT WHERE APPLICABLE MUST REMAIN WITHIN DIMENSIONS		THIRD ANGLE PROJECTION		J2	
		DRAWING		MATERIAL NUMBER	
		A3-SIZE		SEE TABLE	
		SERIES		CUSTOMER	
		87715		GENERAL MARKET	
				SHEET NUMBER	
				4 OF 5	

MOLEX P/N	CIRCUIT SIZE	HOUSING MATERIAL	HOUSING COLOR	TERMINAL MATERIAL	CONTACT PLATING	SOLDER TAIL "D" LENGTH	NOTES
87715-9100	64	NYLON46	BLACK	PHOSPHOR BRONZE	GOLD FLASH	2.54	WITHOUT MYLAR
87715-9102					15 MICROINCH		
87715-9105					15 MICROINCH	3.00	
87715-9106					30 MICROINCH	2.54	

MOLEX P/N	CIRCUIT SIZE	HOUSING MATERIAL	HOUSING COLOR	TERMINAL MATERIAL	CONTACT PLATING	SOLDER TAIL "D" LENGTH	NOTES
87715-9202	98	NYLON46	BLACK	PHOSPHOR BRONZE	15 MICROINCH	2.54	WITHOUT MYLAR
87715-9205					15 MICROINCH	3.00	
87715-9206					30 MICROINCH	2.54	
87715-9208					15 MICROINCH	2.30	

THIS DRAWING CONTAINS INFORMATION THAT IS PROPRIETARY TO MOLEX ELECTRONIC TECHNOLOGIES, LLC AND SHOULD NOT BE USED WITHOUT WRITTEN PERMISSION											
DIMENSION UNITS		SCALE		CURRENT REV DESC:							
mm		NTS									
GENERAL TOLERANCES (UNLESS SPECIFIED)				EC NO: 668799 DRWN: CCHEN103      2020/12/25 CHK'D: SHLENI      2021/07/16 APPR: SHLENI      2021/07/16				PCI EXPRESS EDGE CARD CONNECTOR (LEAD FREE VERSION)			
		MM	INCH								
4 PLACES	±		±	INITIAL REVISION:				DOCUMENT NUMBER: SD-87715-207 DOC TYPE: PSD    DOC PART: 001    REVISION: J2			
3 PLACES	±		±								
2 PLACES	±	0.25	±	DRWN: TOM      2004/07/20 APPR: WILSON    2004/07/20				PRODUCT CUSTOMER DRAWING			
1 PLACE	±	0.25	±								
0 PLACES	±		±	DRAFT WHERE APPLICABLE MUST REMAIN WITHIN DIMENSIONS				THIRD ANGLE PROJECTION 			
ANGULAR TOL	±	3.0°									
DRAWING		SERIES		MATERIAL NUMBER		CUSTOMER		SHEET NUMBER			
A3-SIZE		87715		SEE TABLE		GENERAL MARKET		5 OF 5			

DOCUMENT STATUS	P1	RELEASE DATE	2021/07/16	10:00:09
-----------------	----	--------------	------------	----------