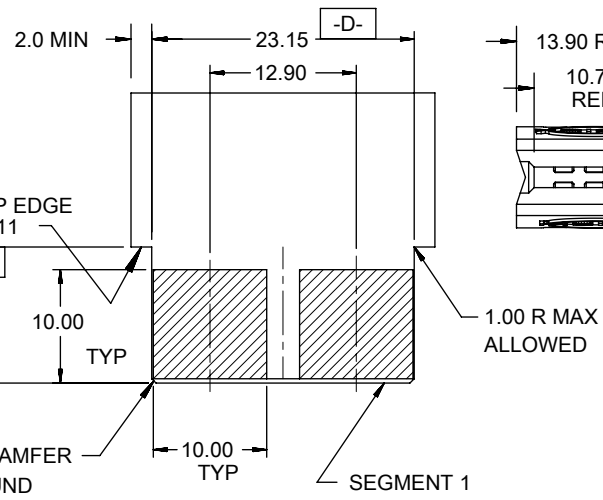
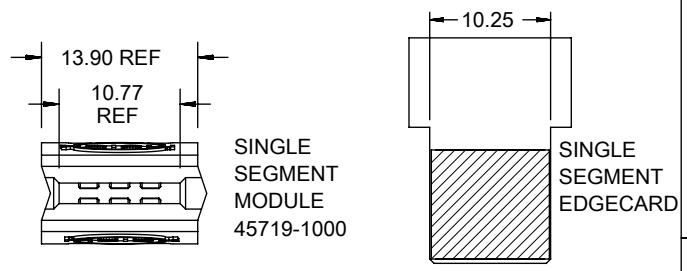


PCB LAYOUT: COMPONENT SIDE



RECOMMENDED EDGE CARD LAYOUT  
EDGE CARD TOLERANCE ±0.05

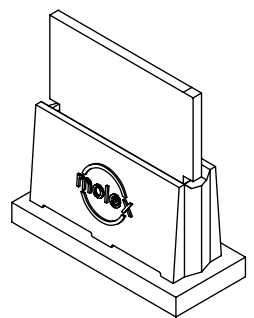


SINGLE SEGMENT MODULE  
45719-1000

SINGLE SEGMENT EDGECARD

- NOTES:
- HOUSING MATL: LCP, UL94V-0, COLOR BLACK  
TERMINAL MATL: COPPER ALLOY
  - FINISH: SELECT GOLD: 30 M.I. MIN IN CONTACT AREA  
SELECT TIN: 150 M.I. MIN IN SOLDER AREA  
OVERALL NICKEL UNDERPLATE.
  - PRODUCT SPECIFICATION: PS-45719-001.
  - PACKAGING SPECIFICATION: ES-45714-001.
  - PCB THICKNESS: SEE CHART
  - EDGE CARD THICKNESS: 1.57±0.08
  - DIMENSIONS GIVEN ACROSS CENTERLINES ARE SYMMETRICAL ABOUT THOSE CENTERLINES WITHIN HALF TOTAL TOLERANCE.
  - VOIDED SEGMENTS DO NOT HAVE TERMINALS IN THE TOP OR BOTTOM ROW
  - PCB HOLE SPECIFICATION: SEE PS-45719-001
  - POWER TERMINALS ARE LUBRICATED.
  - THIS EDGE WILL TOUCH HOUSING WHEN EDGE CARD IS FULLY SEATED

MATERIAL NUMBER	SEGMENTS	VOIDED SEGMENT	P	PCB THK
45719-1000	1	NONE	4.50	3.18 OR
45719-1001	1	NONE	3.63	2.36
45719-1002	1	NONE	2.92	1.57
45719-0001	2	NONE	4.50	3.18 OR
45719-0004	2	NONE	3.63	2.36
45719-0007	2	NONE	2.92	1.57



THIS DRAWING CONTAINS INFORMATION THAT IS PROPRIETARY TO MOLEX ELECTRONIC TECHNOLOGIES, LLC AND SHOULD NOT BE USED WITHOUT WRITTEN PERMISSION

DIMENSION UNITS	SCALE	CURRENT REV DESC: SLOT TOLE. UPDATE	
MM	1:1		
GENERAL TOLERANCES (UNLESS SPECIFIED)			
	MM	INCH	
4 PLACES	±	±	
3 PLACES	±	±	
2 PLACES	±	0.25	±
1 PLACE	±	0.25	±
0 PLACES	±	±	
ANGULAR TOL		± 0.5°	
DRAFT WHERE APPLICABLE MUST REMAIN WITHIN DIMENSIONS			
THIRD ANGLE PROJECTION		DRAWING	SERIES
		A-SIZE	45719
EC NO: 611749		DRWN: PKH	2019/03/01
CHK'D: MBELLE		APPR: HTHYAGARAJ	2019/06/14
INITIAL REVISION:		DRWN: MARGULIS	2003/11/11
		APPR: MARGULIS	2003/11/11

**molex**

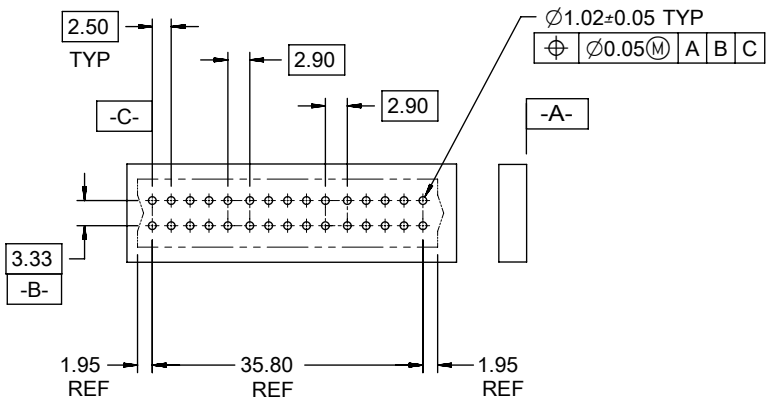
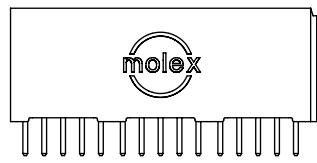
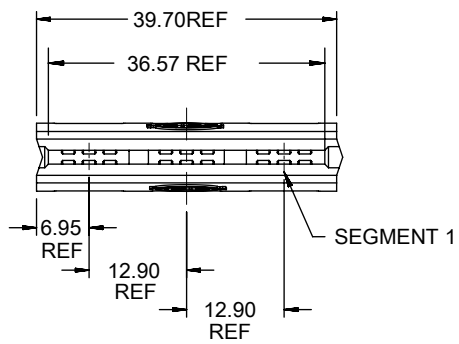
POWER EDGE ASSEMBLY  
POWER VERTICAL SOLDER TAIL

PRODUCT CUSTOMER DRAWING

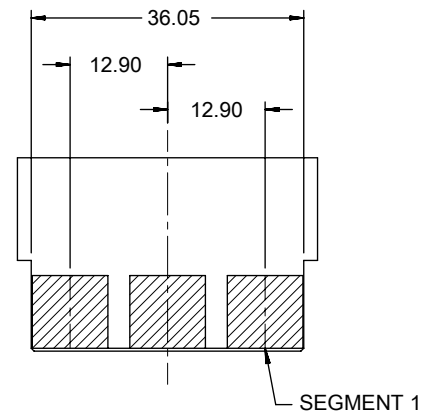
DOCUMENT NUMBER	DOC TYPE	DOC PART	REVISION
SD-45719-001	PSD	001	H

MATERIAL NUMBER	CUSTOMER	SHEET NUMBER
SEE CHART	GENERAL MARKET	1 OF 3

NOTES:  
1. FOR ALL OTHER DIMENSIONS AND NOTES SEE SHEET 1.

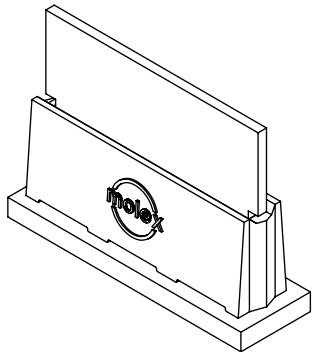


PCB LAYOUT: COMPONENT SIDE



RECOMMENDED EDGE CARD LAYOUT  
EDGE CARD TOLERANCE: ±0.05

MATERIAL NUMBER	VOIDED SEGMENT	P	PCB THK
45719-0002	NONE	4.50	3.18
45719-3001	1		
45719-3002	2		
45719-3003	3		
45719-3004	1,2		
45719-3005	1,3		
45719-3006	2,3		
45719-0005	NONE	3.63	2.36
45719-3007	1		
45719-3008	2		
45719-3009	3		
45719-3010	1,2		
45719-3011	1,3		
45719-3012	2,3		
45719-0008	NONE	2.92	1.57
45719-3013	1		
45719-3014	2		
45719-3015	3		
45719-3016	1,2		
45719-3017	1,3		
45719-3018	2,3		



THIS DRAWING CONTAINS INFORMATION THAT IS PROPRIETARY TO MOLEX ELECTRONIC TECHNOLOGIES, LLC AND SHOULD NOT BE USED WITHOUT WRITTEN PERMISSION

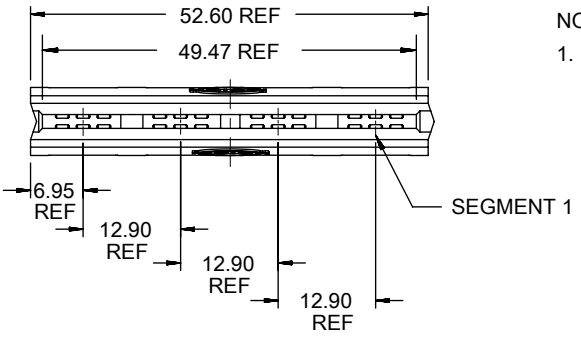
DIMENSION UNITS	SCALE	CURRENT REV DESC: SLOT TOLE. UPDATE	
MM	1:1		
GENERAL TOLERANCES (UNLESS SPECIFIED)		EC NO: 611749	
	MM INCH	DRWN: PKH	2019/03/01
4 PLACES	± ±	CHK'D: MBELLE	2019/06/04
3 PLACES	± ±	APPR: HTHYAGARAJ	2019/06/14
2 PLACES	± 0.25 ±	INITIAL REVISION:	
1 PLACE	± 0.25 ±	DRWN: MARGULIS	2003/11/11
0 PLACES	± ±	APPR: MARGULIS	2003/11/11
ANGULAR TOL	± 0.5 °		

**molex**

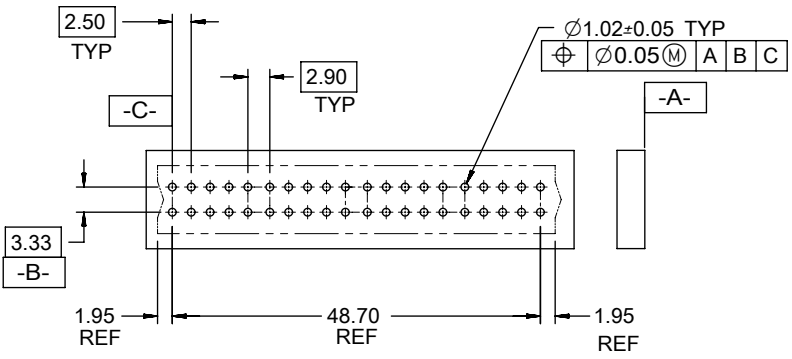
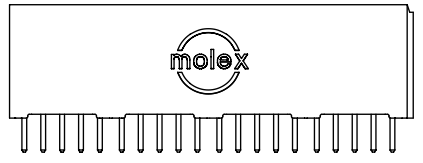
POWER EDGE ASSEMBLY  
POWER VERTICAL SOLDER TAIL

PRODUCT CUSTOMER DRAWING

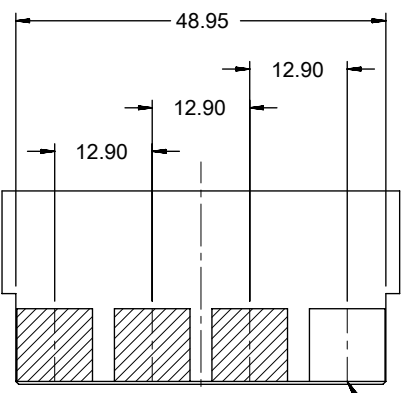
DOCUMENT NUMBER	DOC TYPE	DOC PART	REVISION
SD-45719-001	PSD	001	H



NOTES:  
1. FOR ALL OTHER DIMENSIONS AND NOTES SEE SHEET 1.

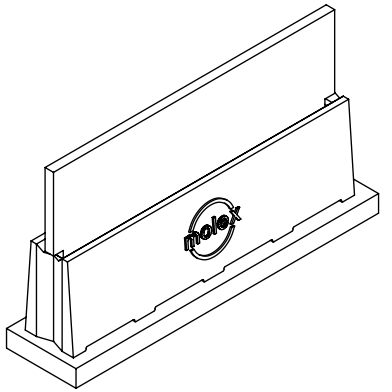


PCB LAYOUT: COMPONENT SIDE



RECOMMENDED EDGE CARD LAYOUT  
EDGE CARD TOLERANCE: ±0.05

MATERIAL NUMBER	VOIDED SEGMENT	P	PCB THK
45719-0003	NONE	4.50	3.18
45719-4001	1		
45719-4002	2		
45719-4003	3		
45719-4004	4		
45719-4005	1, 2		
45719-4006	1, 3		
45719-4007	1, 4		
45719-4008	2, 3		
45719-4009	2, 4		
45719-4010	3, 4		
45719-0006	NONE	3.63	2.36
45719-4011	1		
45719-4012	2		
45719-4013	3		
45719-4014	4		
45719-4015	1, 2		
45719-4016	1, 3		
45719-4017	1, 4		
45719-4018	2, 3		
45719-4019	2, 4		
45719-4020	3, 4		
45719-0009	NONE	2.92	1.57
45719-4021	1		
45719-4022	2		
45719-4023	3		
45719-4024	4		
45719-4025	1, 2		
45719-4026	1, 3		
45719-4027	1, 4		
45719-4028	2, 3		
45719-4029	2, 4		
45719-4030	3, 4		



THIS DRAWING CONTAINS INFORMATION THAT IS PROPRIETARY TO MOLEX ELECTRONIC TECHNOLOGIES, LLC AND SHOULD NOT BE USED WITHOUT WRITTEN PERMISSION

DIMENSION UNITS <b>MM</b>	SCALE <b>1:1</b>	CURRENT REV DESC: SLOT TOLE. UPDATE	
GENERAL TOLERANCES (UNLESS SPECIFIED)		EC NO: 611749	
	MM INCH	DRWN: PKH	2019/03/01
4 PLACES	± ±	CHK'D: MBELLE	2019/06/04
3 PLACES	± ±	APPR: HTHYAGARAJ	2019/06/14
2 PLACES	± 0.25 ±	INITIAL REVISION:	
1 PLACE	± 0.25 ±	DRWN: MARGULIS	2003/11/11
0 PLACES	± ±	APPR: MARGULIS	2003/11/11
ANGULAR TOL	± 0.5 °		

**molex**

POWER EDGE ASSEMBLY  
POWER VERTICAL SOLDER TAIL

PRODUCT CUSTOMER DRAWING

DOCUMENT NUMBER	DOC TYPE	DOC PART	REVISION
<b>SD-45719-001</b>	PSD	001	H