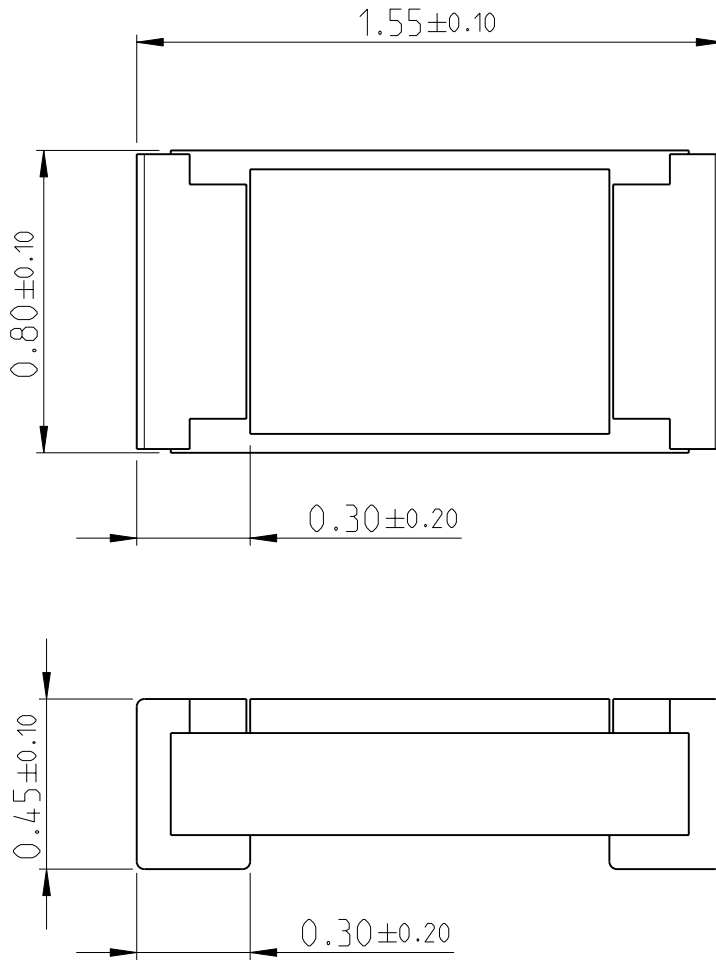
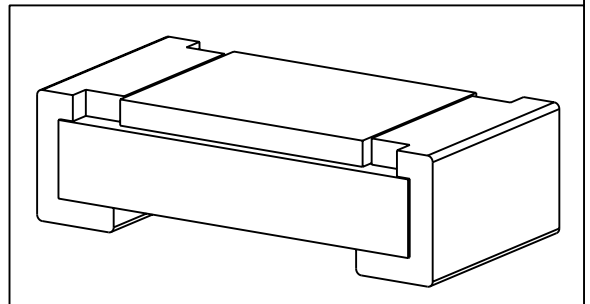


LOC	DIST	REVISIONS					
-	-	P	LTR	DESCRIPTION	DATE	DWN	APVD
		BA		NEW DRAWING	25APR2012	KR	St.P



FOR FURTHER INFORMATION SEE DATA SHEET FOR  
SMD HIGH POWER PRECISION RESISTORS - RP73 SERIES

RoHS Compliant



20



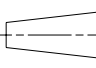
RELEASED FOR PUBLICATION

ALL RIGHTS RESERVED.

THIS DRAWING IS UNPUBLISHED.

BY -

© COPYRIGHT 20

DIMENSIONS: mm	DWN RAGHAVENDRA K	25APR2012	MATERIAL	-	FINISH	-			
	CHK ALLAN P	25APR2012	 TE Connectivity						
TOLERANCES UNLESS OTHERWISE SPECIFIED:	APVD STEPHEN.P	25APR2012							
	0 PLC ±	1 PLC ±0.5	2 PLC ±0.13	3 PLC ±0.013	4 PLC ±0.0001	ANGLES ±			
 	PRODUCT SPEC	-	NAME HIGH POWER PRECISION CHIP RESISTORS - TYPE RP73P 0603 SERIES						
	APPLICATION SPEC	-	SIZE	A 4	CAGE CODE	00779	DRAWING NO	C-2176089	RESTRICTED TO
WEIGHT 0.002 Gram			CUSTOMER DRAWING				SCALE 40:1	SHEET 1 OF 1	REV BA

# Mouser Electronics

Authorized Distributor

Click to View Pricing, Inventory, Delivery & Lifecycle Information:

[TE Connectivity:](#)

[7-2176089-5](#)