

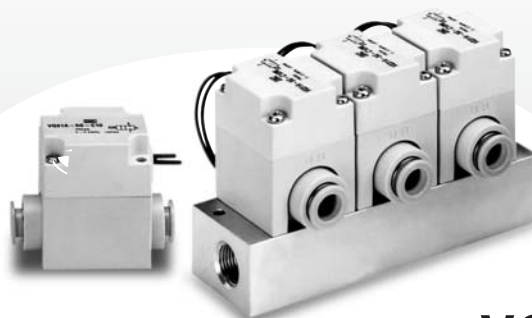
For Dry Air, Pilot Operated

## 2 Port Solenoid Valve

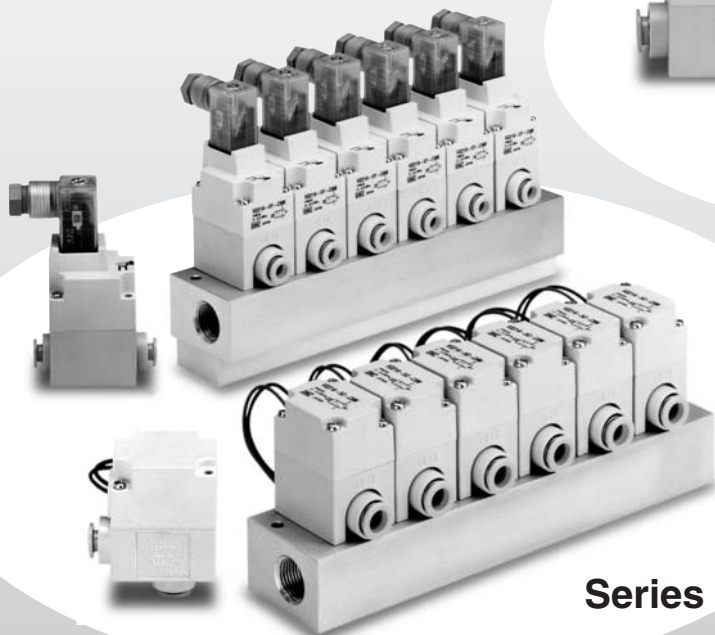
# Series VQ20/30

Compact & lightweight with large flow capacity

	Weight (g)	Effective area (mm <sup>2</sup> )
VQ20	46	9 (N <sub>l</sub> /min 491)
VQ30	80	17.5 (N <sub>l</sub> /min 981)



Series VQ30



Series VQ20

High frequency operation possible and long operating life

High speed response 7ms or less (VQ20), 20ms or less (VQ30)

(Without indicator light and surge voltage suppressor, at 0.5MPa of supply pressure)

Easy piping with built-in One-touch fittings

Dust and jet proof enclosure (IP65)  
available with DIN connector

Applications: Air-blow, Blow-off of work piece, etc.

## ⚠️ Precautions

Be sure to read before handling. Refer to p.0-33 to 0-36 for Safety Instructions and common precautions.

### ⚠️ Warning

#### Selection

##### 1. Air quality

This product is for dry air. Drain, oil, etc. in the air may result in faulty operation. Use clean (dry) air.

##### 2. Pressure differential

If a restrictor (nozzle, etc.) is mounted on the outlet side, the outlet side pressure differential at the inlet side is smaller.

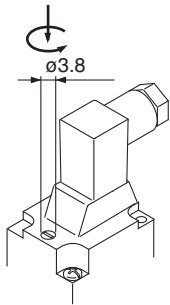
Be sure the pressure differential when ON does not drop below 0.01 MPa.

### ⚠️ Warning

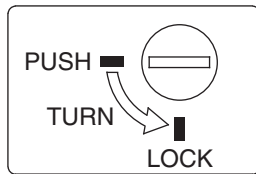
#### Manual Override

Regardless of electric signals to the solenoid valve, the manual override is used for switching the main valve. (DIN connector only.)

#### Locking slotted style

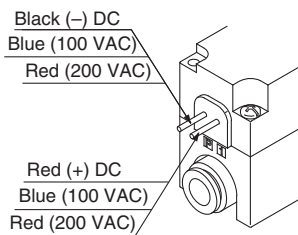


Push the manual override button with a small screw driver until it stops. Turn it in the counter-clockwise direction at 90°, and it is locked. Turn it right to release.



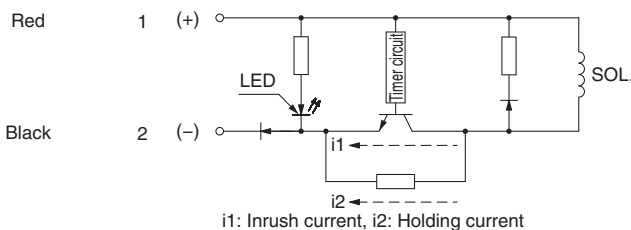
### ⚠️ Caution

#### Connection and Electrical Circuit



#### With DC voltage power-saving circuit (with polarity)

Lead wire color DIN connector

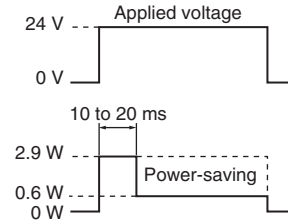


DC (with power-saving circuit) specifications is designed to reduce the power consumption at holding to achieve power-saving by circuit shown above. Refer to below power wave form.

### ⚠️ Caution

#### Connection and Electrical Circuit

Power wave form of power-saving type (Rated voltage at 24 VDC)

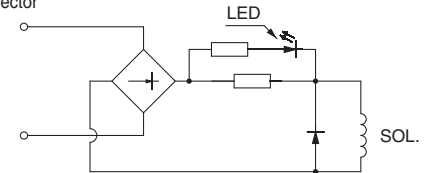


#### AC circuit

Lead wire color DIN connector

Blue (100 VAC), Red (200 VAC) 1

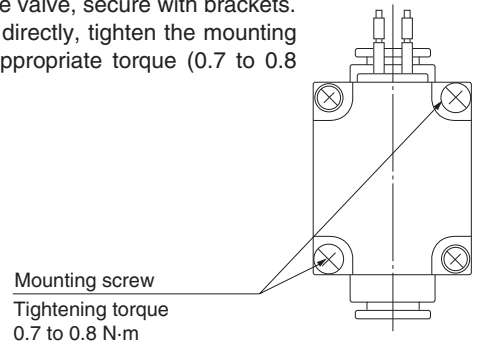
Blue (100 VAC), Red (200 VAC) 2



### ⚠️ Caution

#### Valve Mounting

When mounting the valve, secure with brackets. When mounting it directly, tighten the mounting screws with the appropriate torque (0.7 to 0.8 N·m).



### ⚠️ Caution

#### When Energizing Continuously for Long Period of Time

When energizing continuously, choose the option of an energy-saving circuit specifications. High speed response type (with no energy-saving circuit) cannot be energized continuously.

## ⚠ Caution

### How to Wire The DIN Connector

#### ISO#: Based on DIN 43650C (Pin gap 8mm) Connection

- Loosen the tightening screw and pull the connector off of the solenoid valve.
- After removing the tightening screw, divide the terminal block and housing by prying open the slot area of the lower part of the terminal block open with a screw driver.
- Loosen the terminal screws of the block and insert stripped lead wires in accordance with the wiring diagram. Secure each wire by retightening the terminal screw.
- Tighten the ground nut to secure the cable wire.

#### Change of electrical entry

Wire entry can be changed by mounting the housing in either direction (four directions at every 90) after dividing the terminal block and the housing.

\* For the indicator lighted style, be careful not to damage the light with the lead wire of the cable.

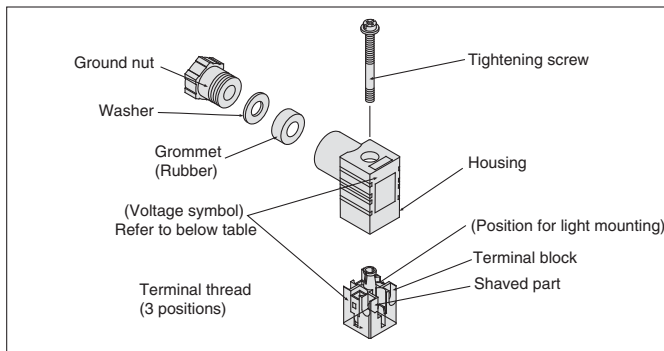
#### Precaution

Insert/remove the connector vertically, not at an angle.

#### Applicable cable

Cord O.D.:  $\phi 3.5$  to  $\phi 7$

(Reference) 0.5mm<sup>2</sup> 2-core and 3-core wires equivalent to JIS C 3306.



### DIN Terminal Part No. (Based on DIN)

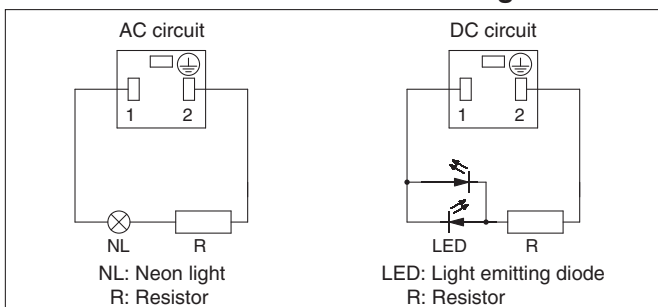
Without indicator light	SY100-82-4
-------------------------	------------

#### With Indicator Light

Rated voltage	Voltage symbol	Part no.
24 VDC	24 V	SY100-82-3-05
12 VDC	12 V	SY100-82-3-06
100 VAC	100 V	SY100-82-2-01
200 VAC	200 V	SY100-82-2-02
110 VAC	110 V	SY100-82-2-03

### How to Wire DIN Terminal

#### DIN Terminal Circuit with Indicator Light



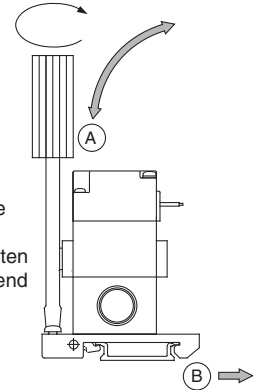
### Manifold

## ⚠ Caution

### How to Mount/Remove from DIN Rail

#### To remove manifold from DIN rail:

- Loosen the clamp screw on the "A" side of both ends of the manifold.
- Lift the "A" side of the manifold off the DIN rail and slide it in the direction of the "B" side.



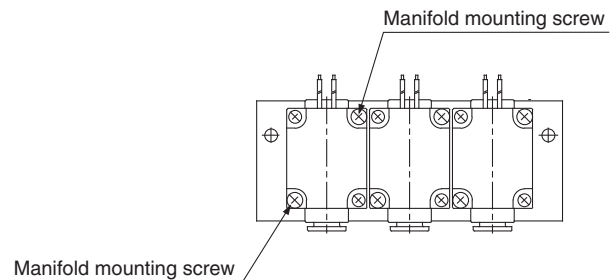
#### Mounting manifold to DIN rail:

- Hook the mounting hook on the "B" side of the manifold base to the DIN rail.
- Push side "A" onto the DIN rail and tighten the clamp screw on the "A" side of the end plate. (Tightening torque: 0.3 to 0.4Nm)

## ⚠ Caution

### Valve Mounting

After confirming the gasket is correctly placed under the valve, tighten the mounting screws with the appropriate torque (0.2 to 0.23Nm).





## Standard Specifications



Series		VQ20	VQ30	
Valve specifications	Valve construction	2 port poppet pilot operated		
	Fluid	Air/Inert gas <sup>Note 1)</sup>		
	Ambient and fluid temperature	-10 to 50°C <sup>Note 2)</sup>		
	Lubrication	Not required		
	Manual override	Slotted locking type (tool required) <sup>Note 3)</sup>		
	Impact resistance/Vibration resistance	150/30 m/s <sup>2</sup> <sup>Note 4)</sup>		
	Enclosure	Dustproof <sup>Note 5)</sup>		
	Internal leakage cm <sup>3</sup> /min	15 or less		
	Exterior leakage cm <sup>3</sup> /min	15 or less		
	Mounting orientation	Unrestricted		
	Weight	46 g	80 g	
Electric specifications	Coil rated voltage	12 VDC, 24 VDC, 100 VAC, 110 VAC, 200 VAC		
	Allowable voltage fluctuation	±10% of rated voltage		
	Coil insulation type	Class B or equivalent		
	Power consumption (Current value)	DC voltage (with power-saving circuit)	Inrush: 2.9 W, Holding: 0.6 W	
		DC voltage (without power-saving circuit)	2.9 W	
		AC	2 VA	
Electrical entry	Grommet, DIN terminal			

Note 1) This product is for dry air. Use in clean air, and be sure that drain and oil content does not flow into the product.

Note 2) Use dry air to prevent condensation when operating at low temperatures.

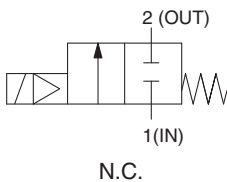
Note 3) Manual override is available only for DIN terminal type.

Note 4) Vibration resistance: No malfunction occurred in a one-sweep test between 8.3 and 2000 Hz. Test was performed at both energized and de-energized states to the axis and right angle directions of the main valve and armature (value at the initial state).

Impact resistance: No malfunction resulted from the impact test using a drop impact tester. The test was performed on the axis and right angle directions of the main valve and armature for both energized and de-energized states (value at the initial state).

Note 5) DIN terminal type: Applicable to dusttight and low jetproof (IP65).

### Symbol



Note) Flow direction should be from port 1 (A) to port 2 (B) for vacuum applications.

## Characteristic Specifications

Series		VQ20		VQ30		
Flow characteristics	Port size	ø6	ø8	ø10	ø12	
	C [dm <sup>3</sup> /(s·bar)]	1.4	1.5	2.8	3.0	
	b	0.23	0.42	0.42	0.37	
	Cv	0.33	0.39	0.80	0.81	
Min. operating pressure differential		0.01 MPa <sup>Note 3)</sup>				
Max. operating pressure differential		0.6 MPa		0.5 MPa		
<sup>Note 1)</sup> Response time	<sup>Note 1)</sup> Electricity circuit	With power-saving circuit	<sup>Note 2)</sup> High speed response type	With power-saving circuit	<sup>Note 2)</sup> High speed response type	
		ON	10 ms or less	7 ms or less	25 ms or less	20 ms or less
		OFF	15 ms or less	5 ms or less	15 ms or less	5 ms or less

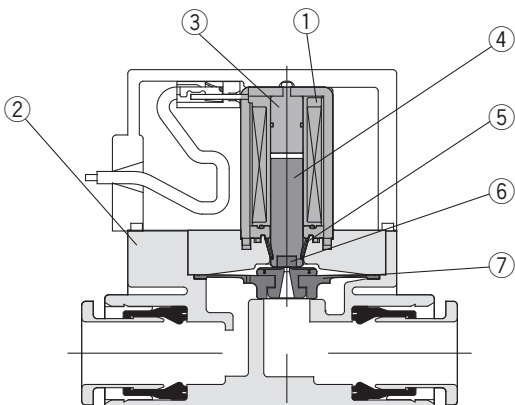
Note 1) JIS B 8375 (value of DC voltage specifications at 0.5 MPa supply pressure)

(Value of high response time is subject to change upon pressure, quality of air.)

Note 2) It cannot be used when energized continuously.

Note 3) If a restrictor (nozzle, etc.) is mounted on the outlet side piping, the pressure differential when ON is smaller. Be sure that the pressure differential does not drop below 0.01 MPa. Additionally, take great care when used for the ejector supply, etc.

## Construction



### Component Parts

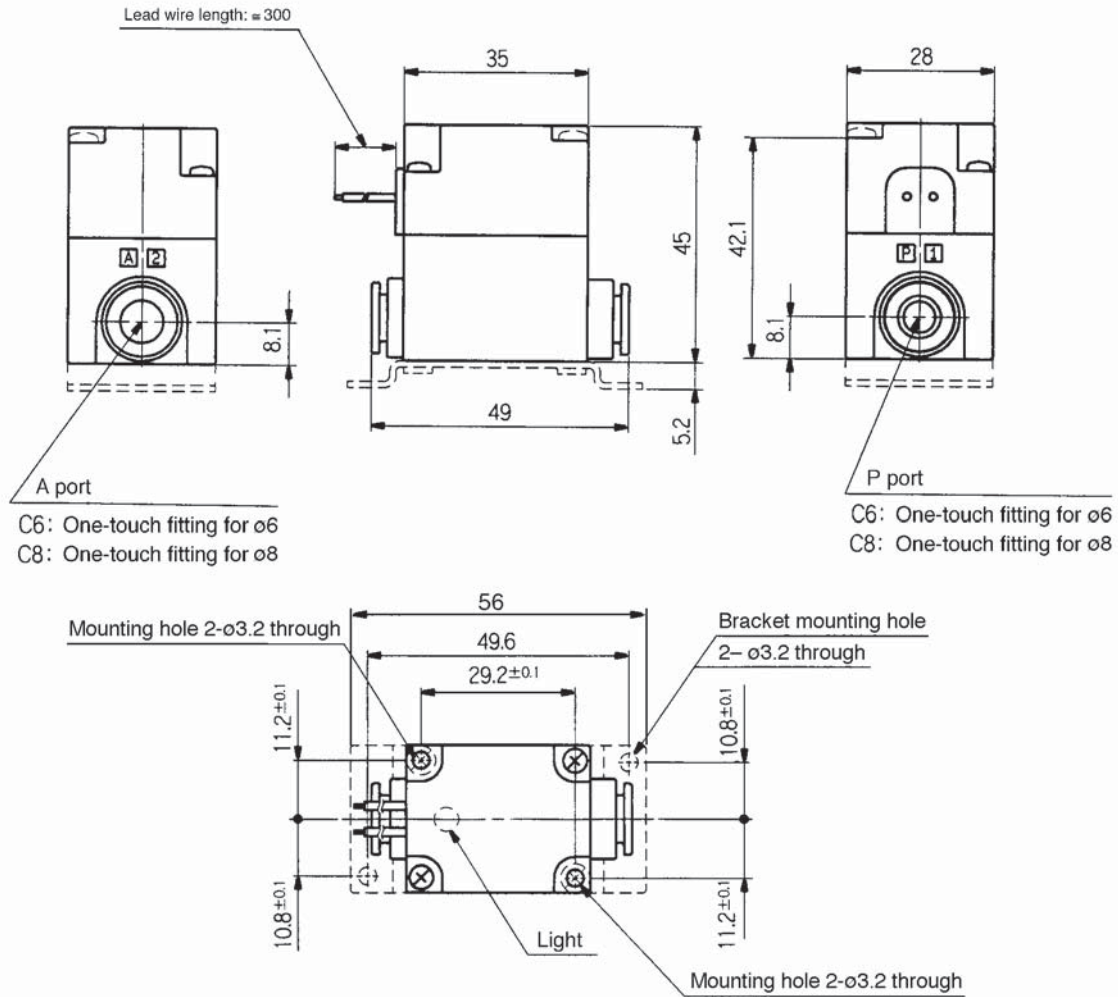
No.	Description	Material
①	Solenoid coil	—
②	Body	Resin
③	Fixed armature	Stainless Steel
④	Armature	Stainless Steel
⑤	Return spring	Stainless Steel
⑥	Poppet	NBR
⑦	Diaphragm assembly	H NBR, Resin


# Series VQ20/30

## Dimensions/Series VQ20

### In-line Type/Grommet(G)

VQ21A1-□G□-□□-□□Q

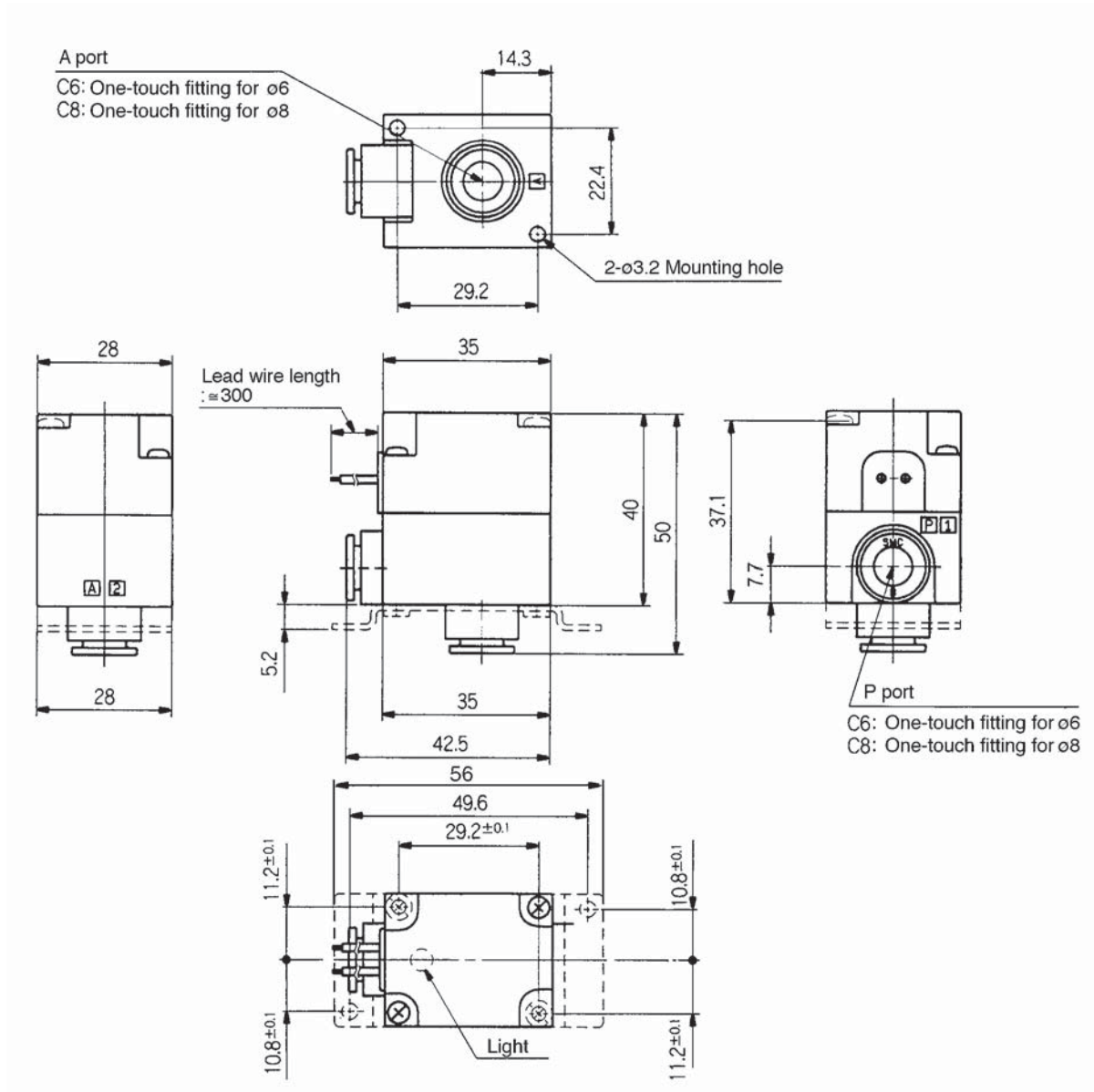


 Dotted line: Bracket mounting style (-F)

**Dimensions/Series VQ20**

L Type/Grommet (G)

VQ21A1-□G□-□-L□-Q



 Dotted line: Bracket mounting style (-LF)

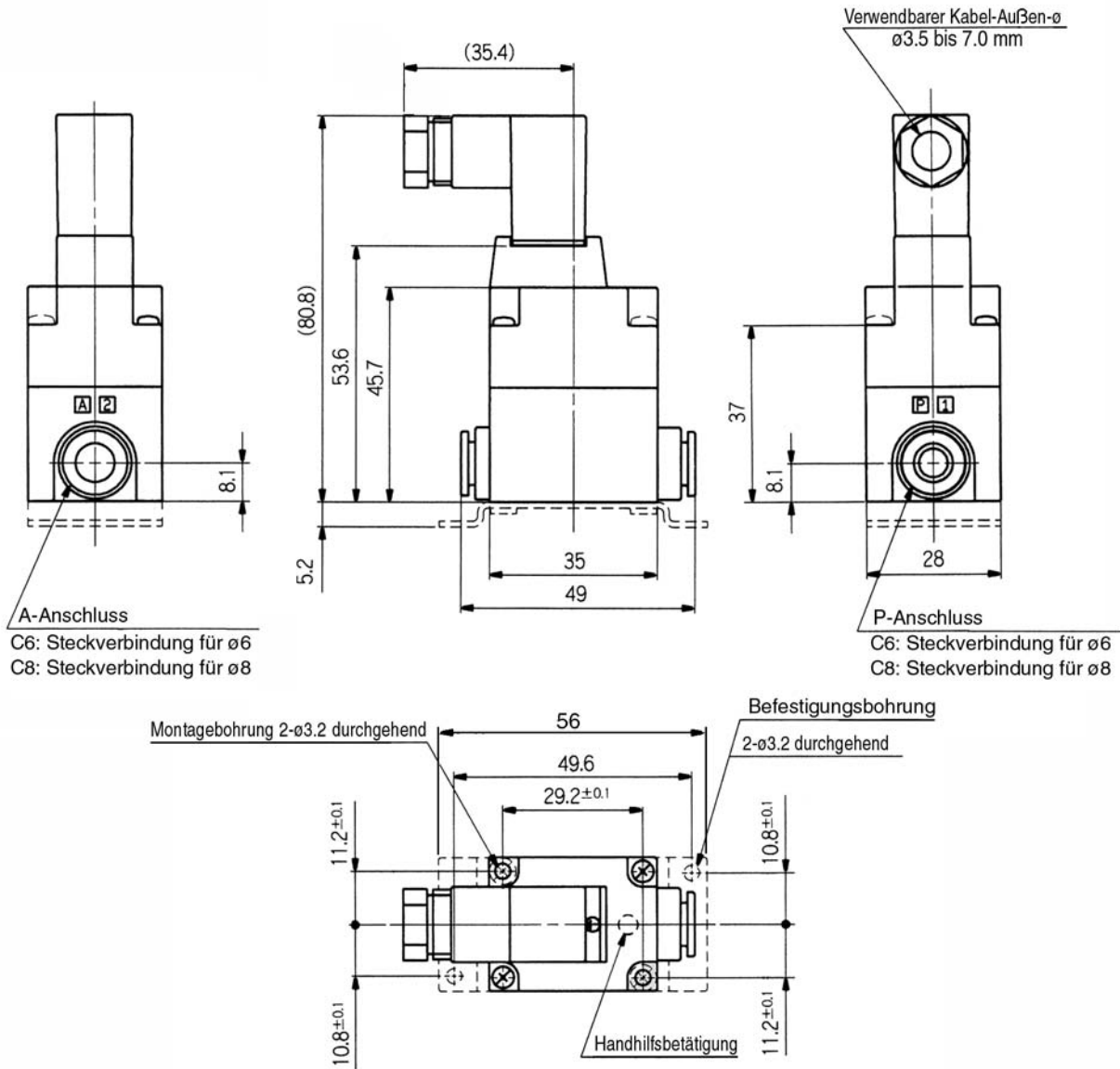



# Series VQ20/30

## Dimensions/Series VQ20

In-line/DIN connector (Y)

VQ21A1-□Y□□-□□-□□-Q



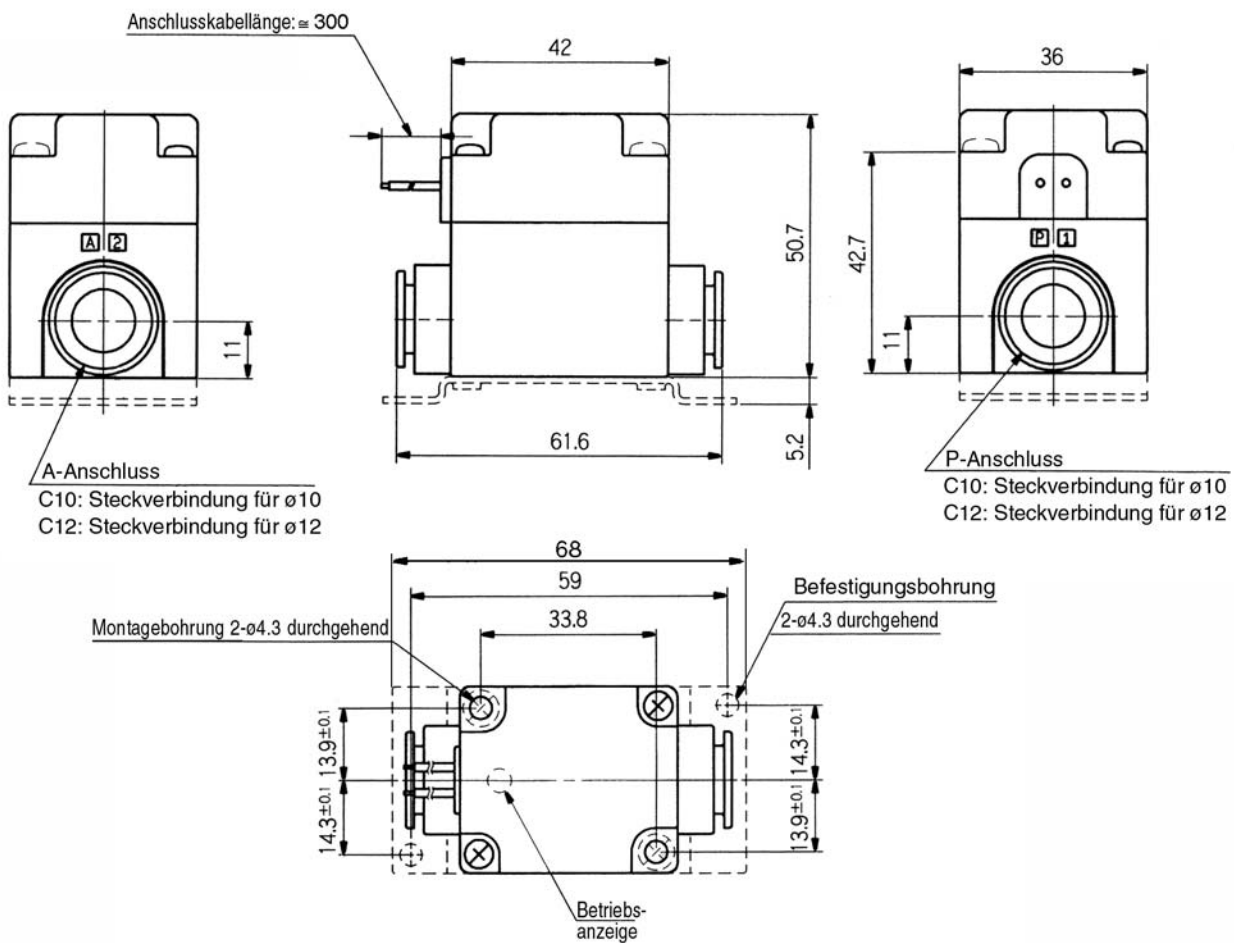
 Dotted line: Bracket mounting style (-F)



**Dimensions/Series VQ30**

**In-line/Grommet (G)**

VQ31A1-□G□-□□-□-□



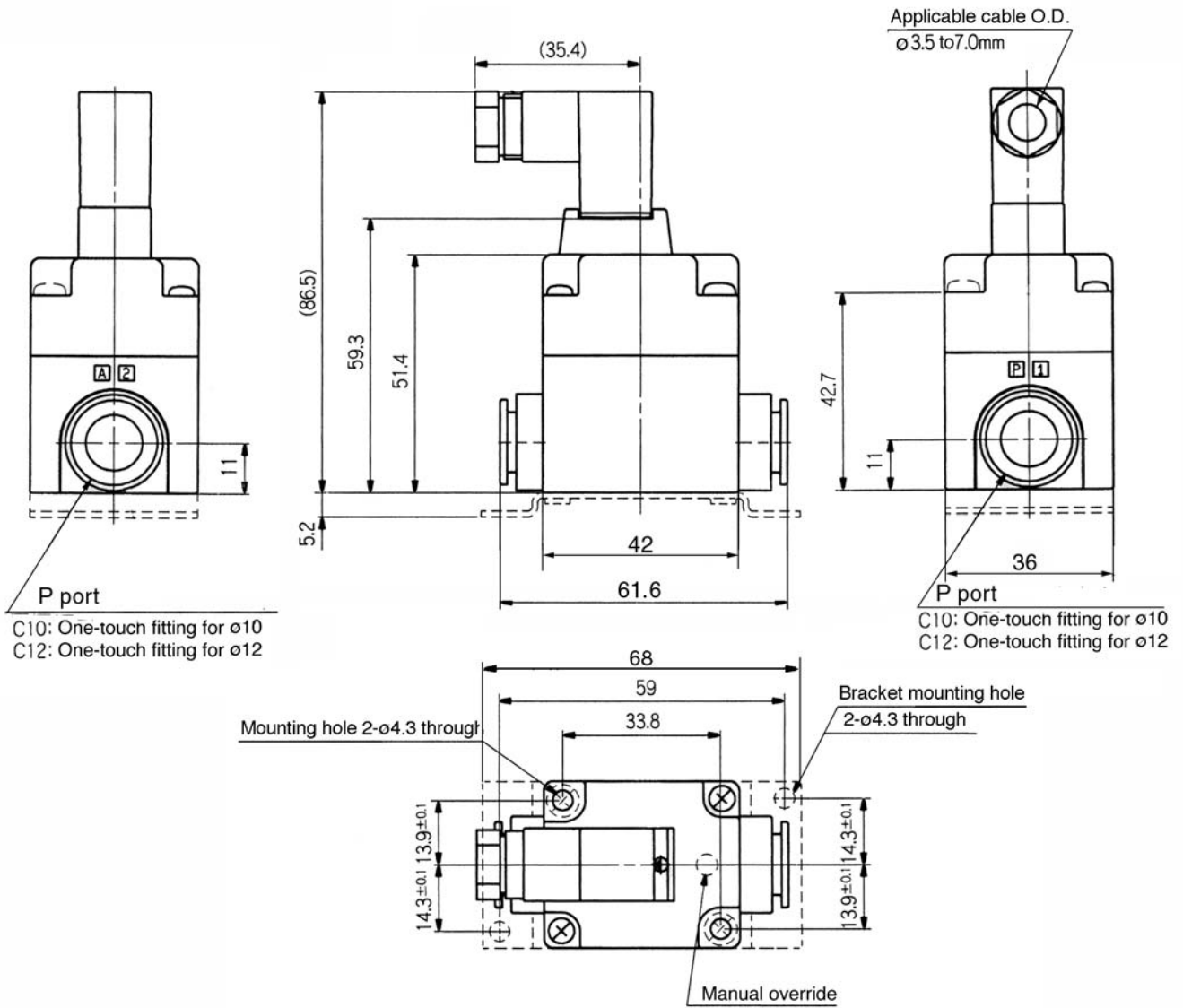
 Dotted line: Bracket mounting style (-F)


# Series VQ20/30

## Dimensions/Series VQ30

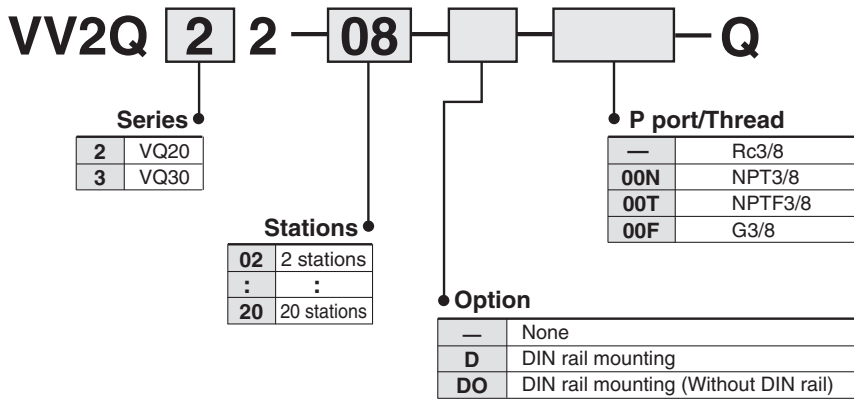
DIN connector (Y)

VQ31A1-□Y□□-□□-□-Q



 Dotted line: Bracket mounting style (-F)

### How to Order Manifold



### How to Order Manifold Assembly

List valve and option part numbers under the manifold base part number.

**<Example>**

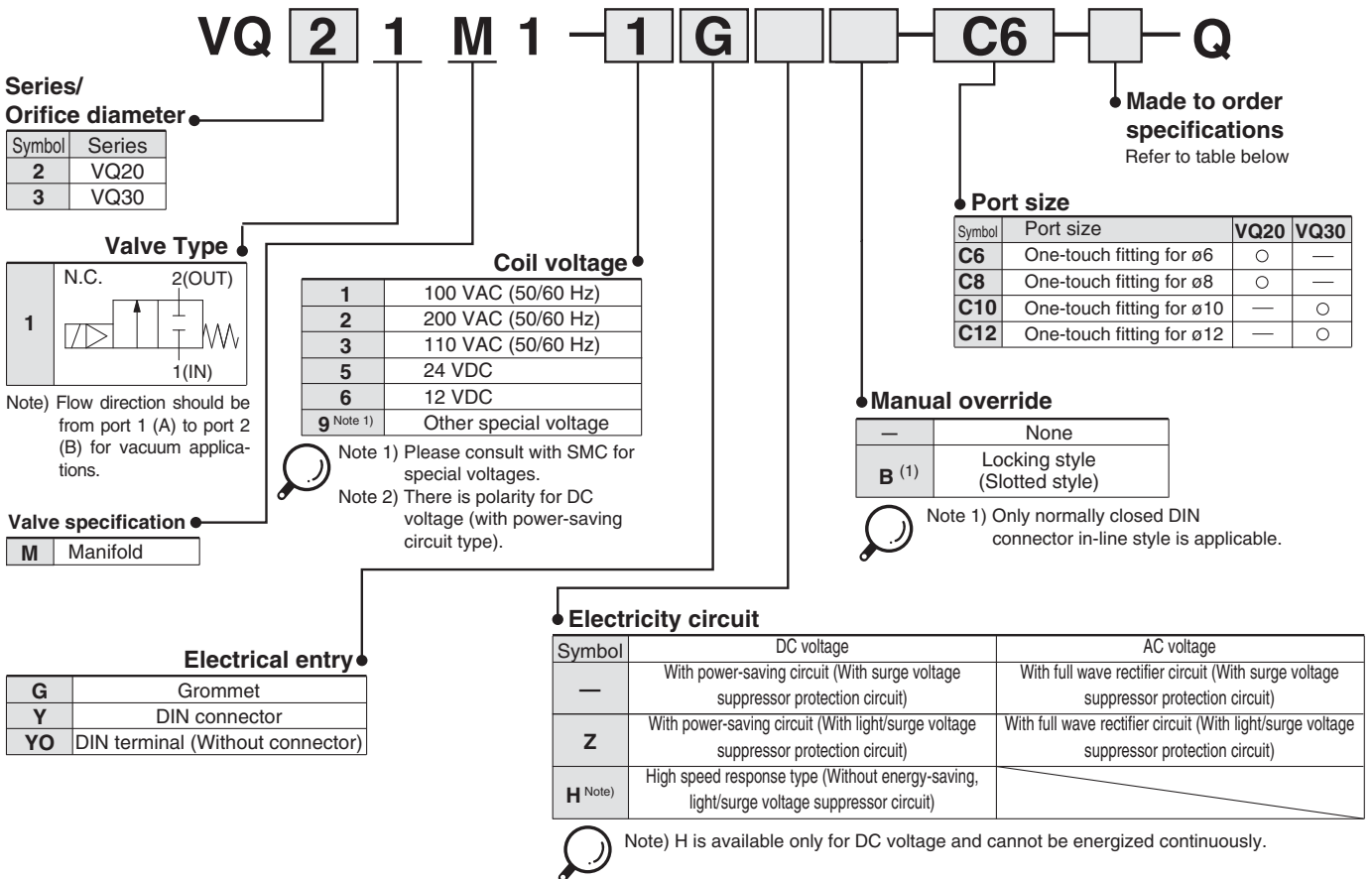
VV2Q22-05-Q ..... 1 set — Manifold part No.

VQ21M1-5G-C6-Q ..... 4 sets — Valve part No.  
(Stations 1 to 4)

VQ21M1-5G-C8-Q ..... 1 set — Valve part No.  
(Station 5)

Write sequentially from the 1st station on the D side

### How to Order Valve



### Made to Order Specifications

Please contact SMC for further specifications, delivery and price

#### Oil-free specifications

**VQ<sub>3</sub>1<sup>A</sup><sub>M</sub>1** — [ ] — [ ] — [ ] — **X2-Q**

#### Seal material fluororubber specifications

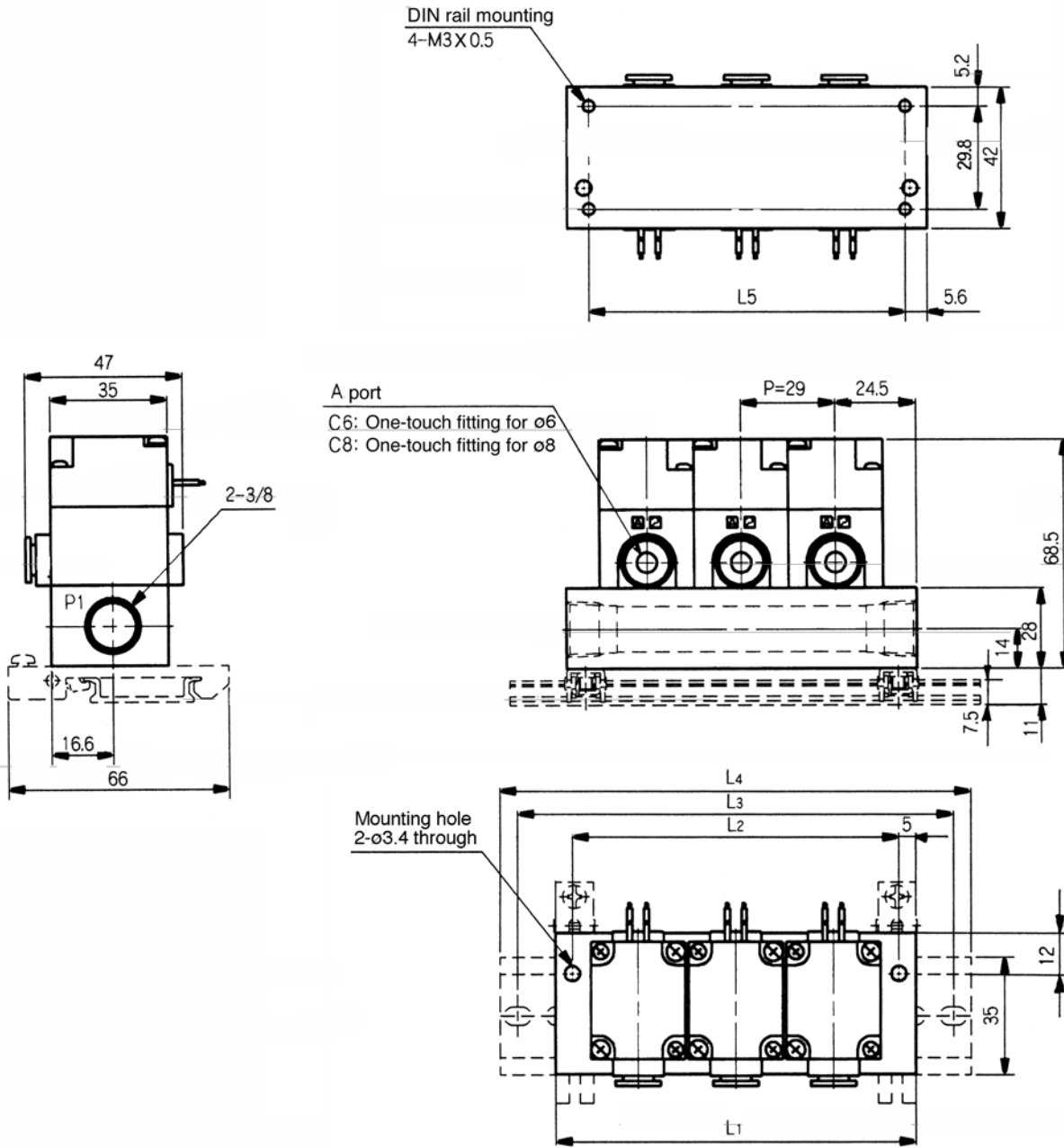
**VQ<sub>3</sub>1<sup>A</sup><sub>M</sub>1** — [ ] — [ ] — [ ] — [ ] — **X5-Q**

Note) Please consult with SMC when using.  
Not available for manual operation

# Series VQ20/30

## Dimensions

### Plug lead unit manifold (VV2Q22-□-Q)



Equation  $L_1 = (n-1) \times 29 + 49$   
 $L_2 = L_1 - 10$   
 $L_3 = L_4 - 10.5$   
 $L_5 = L_1 - 11.2$

Dotted line: DIN rail mounting (-D)

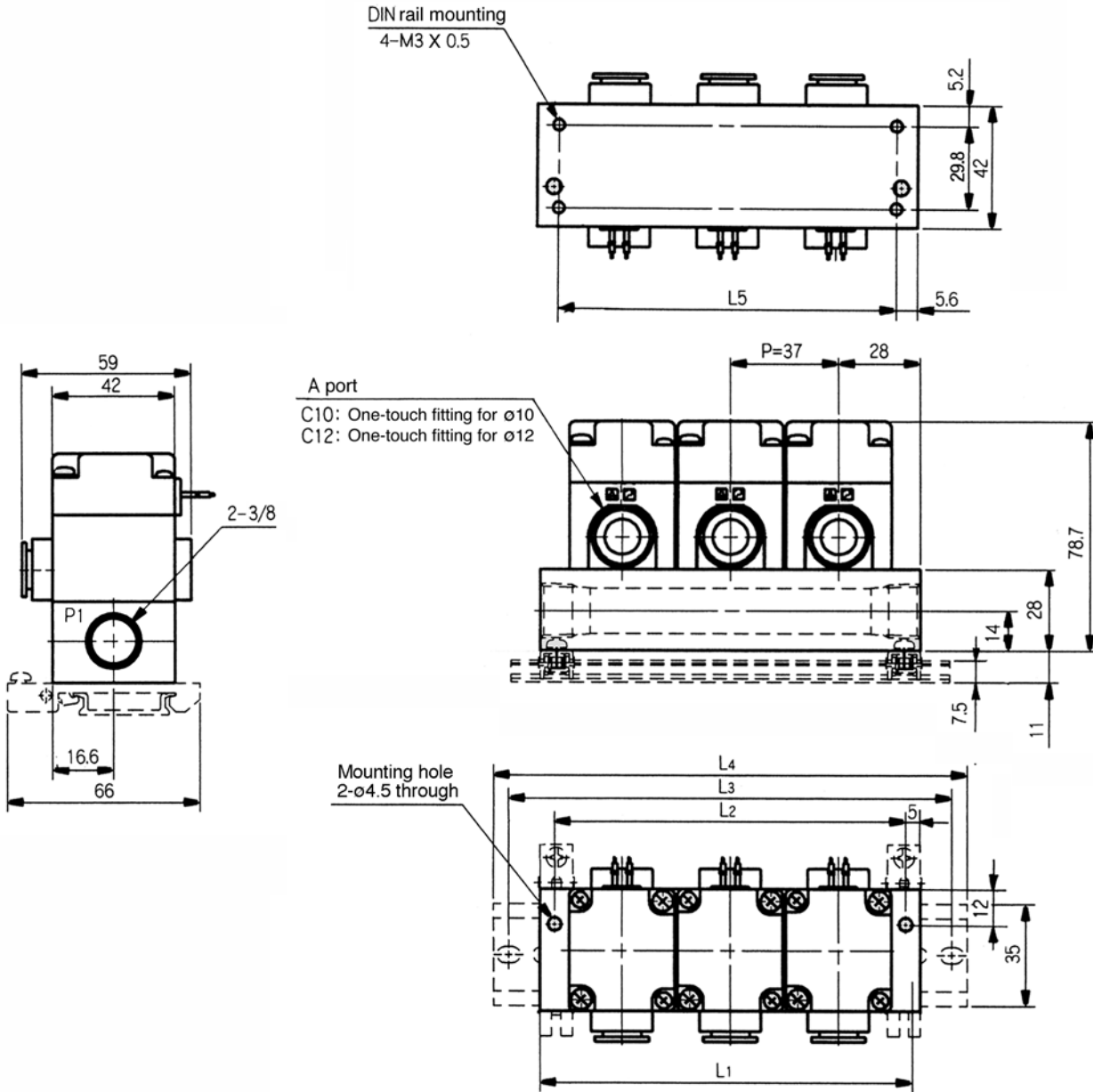
### Dimensions

n: Station (Max.20)

L	n	1	2	3	4	5	6	7	8	9	10	11	12	13	14	15	16	17	18	19	20
L <sub>1</sub>		49	78	107	136	165	194	223	252	281	310	339	368	397	426	455	484	513	542	571	600
L <sub>2</sub>		39	68	97	126	155	184	213	242	271	300	329	358	387	416	445	474	503	532	561	590
L <sub>3</sub>		75	100	137.5	162.5	187.5	212.5	250	275	300	337.5	362.5	387.5	425	450	475	500	537.5	562.5	587.5	625
L <sub>4</sub>		85.5	110.5	148	173	198	223	260.5	285.5	310.5	348	373	398	435.5	460.5	485.5	510.5	548	573	598	635.5
L <sub>5</sub>		37.8	66.8	95.8	124.8	153.8	182.8	211.8	240.8	269.8	298.8	327.8	356.8	385.8	414.8	443.8	472.8	501.8	530.8	559.8	588.8

## Dimensions

Plug lead unit manifold (VV2Q32-□-Q)



Equation  $L_1 = (n-1) \times 37 + 56$   
 $L_2 = L_1 - 10$   
 $L_3 = L_4 - 10.5$   
 $L_5 = L_1 - 11.2$

Dotted line: DIN rail mounting (-D)

### Dimensions

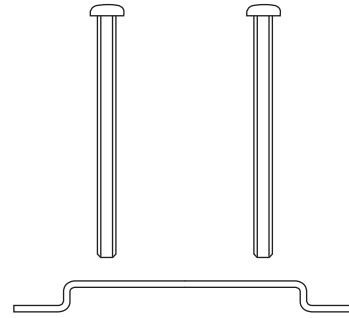
n: Station (Max. 20)

L	n	1	2	3	4	5	6	7	8	9	10	11	12	13	14	15	16	17	18	19	20
L1		56	93	130	167	204	241	278	315	352	389	426	463	500	537	574	611	648	685	722	759
L2		46	83	120	157	194	231	268	305	342	379	416	453	490	527	564	601	638	675	712	749
L3		75	112.5	150	187.5	225	261.5	300	337.5	375	412.5	450	487.5	525	562.5	598.5	635.5	673	710.5	748	785.5
L4		85.5	123	160.5	198	235.5	273	310.5	348	385.5	423	460.5	498	535.5	573	598	635.5	673	710.5	748	785.5
L5		44.8	81.8	118.8	155.8	192.8	229.8	266.8	303.8	340.8	377.8	414.8	451.8	488.8	525.8	562.8	599.8	636.8	673.8	710.8	747.8

# Series VQ20/30

## Single Unit Option

### Bracket assembly (with 2 mounting screws)



Type	Bracket assembly	(Mounting screws, 2 pcs.)
VQ20 Grommet in-line type	AXT835-13A	M3 x 45
VQ20 Grommet L type, DIN terminal type	AXT835-13A-2	M3 x 40
DIN terminal L type	AXT835-13A-3	M3 x 35
VQ30	AXT837-13A	M4 x 45

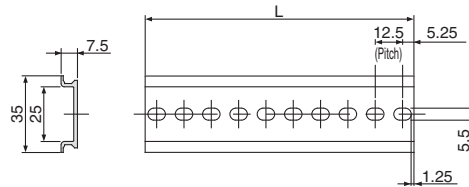
## Manifold Option

### DIN rail

#### AXT100-DR-□

\* Suffix the number from DIN rail dimensions table below. Refer to the dimension drawing for each manifold for L dimension.

Each manifold can be mounted on a DIN rail. Order with the option symbol “-D” to specify DIN rail mounting style. The DIN rail is approximately 30 mm longer than the length of manifold.



### L dimension • Series VQ20

Stations	1	2	3	4	5	6	7	8	9	10	11	12	13	14	15	16	17	18	19	20
No.	6	8	11	13	15	17	20	22	24	27	29	31	34	36	38	40	43	45	47	50
L	85.5	110.5	148	173	198	223	260.5	285.5	310.5	348	373	398	435.5	460.5	485.5	510.5	548	573	598	635.5

### • Series VQ30

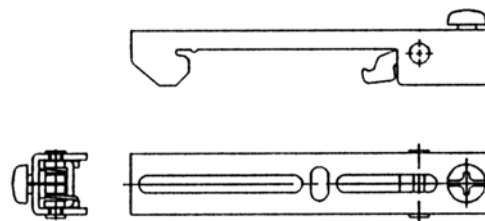
Stations	1	2	3	4	5	6	7	8	9	10	11	12	13	14	15	16	17	18	19	20
No.	6	9	12	15	18	21	24	27	30	33	36	39	42	45	47	50	53	56	59	62
L	85.5	123	160.5	198	235.5	273	310.5	348	385.5	423	460.5	498	535.5	573	598	635.5	673	710.5	748	785.5

### DIN rail mounting bracket

#### VVQZ100-DB-5

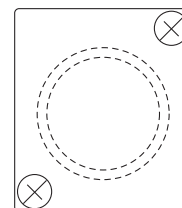
This bracket is used for mounting the manifold on the DIN rail. DIN rail mounting bracket is attached on the manifold.

1 set of DIN rail mounting brackets for 1 manifold includes 2 brackets.



### Blanking plate assembly (with O-ring and 2 mounting screws)

Mount a blanking plate on valve manifold when a valve is disassembled for maintenance purposes, or when spare valve unit is supposed to be mounted in the future.



Series	Blanking plate assembly	(O-ring)	(Mounting screws, 2 pcs.)
VQ20	AXT835-35A	OR-1679-100-H	M3 x 6
VQ30	AXT837-35A	OR-2400-150-H	M4 x 6