

Products & Applications: Soldering/Desoldering

PS-900 Soldering System

The power to solder demanding loads, the control to assure consistent results.

The OKi PS-900 Soldering System, powered by SmartHeat® Technology, is part of a new generation of cost-effective soldering systems from OK International. The PS-900 packs power and provides exceptional thermal control into a small benchtop footprint. The PS-900 provides operators the repeatability to produce high quality solder connections with exceptional speed.

More Applications

The PS-900 increases productivity by performing a wide range of applications. It is suited for lead-free soldering processes, multilayer boards and thermally demanding components. What's more, SmartHeat technology enables the PS-900 to solder at lower temperatures, even for such demanding applications as lead-free soldering processes. This means operators are more productive and materials are safe from damaging temperatures.

Low Operating Costs

The PS-900 is designed for simplicity and low maintenance. With SmartHeat Technology at its core, it requires no calibration. Moreover, it uses high quality tips that assure low ongoing operating costs. Its low cost makes it the perfect choice for small or large production environments, which need exceptional performance, while being mindful of operating budgets.



PS-900 in Action

SYSTEM	
Part No.	Description
PS-900	PS-900 Soldering System
System Includes Power Supply With Power Cord, Hand-Piece With Cord, Auto-sleep Workstand With Sponge And Tip Removal Pad	

ACCESSORIES & SPARE PARTS	
Part No.	Description
PS-PW900	Power Supply, 100 to 240 VAC, 50/60 Hz, 90W Max. Input
PS-HC3	Hand-piece w/cord (PS-H3) and Coil Assembly (PS-CA3)
PS-CA3	Coil Assembly, PS-900 System
PS-H3	Hand-piece with Cord, NO Coil Assembly
WS2	Auto-sleep Workstand, Black Cradle
WS2G	Auto-sleep Workstand, Green Cradle
AC-CP2	Tip Removal Pad



Handpiece

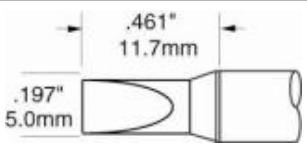
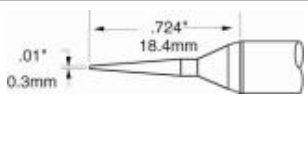
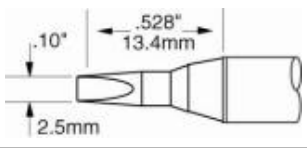
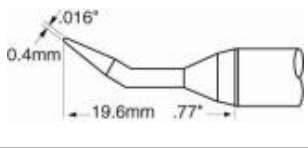
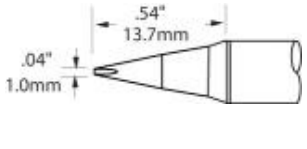
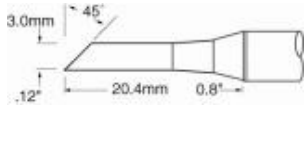
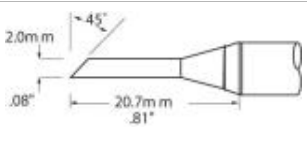
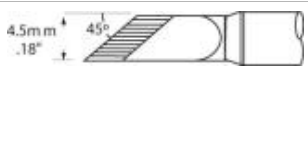
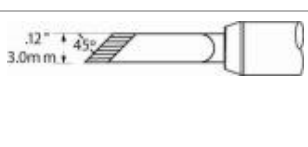


Handpiece Coil Assembly

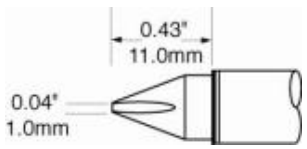
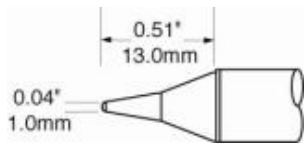
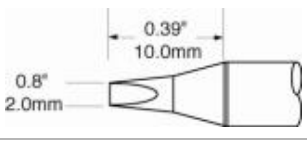
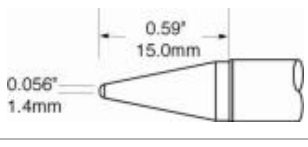
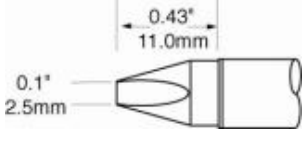
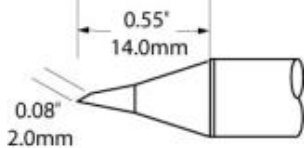
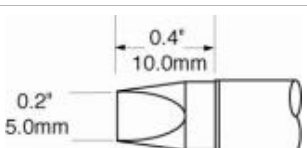
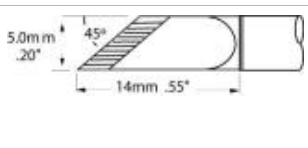
Tips

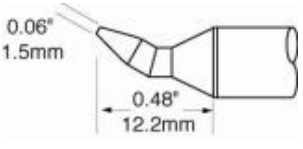
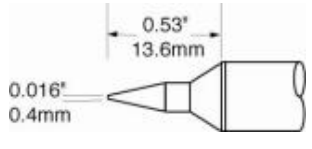
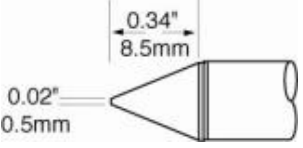
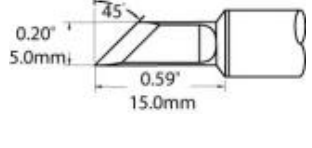
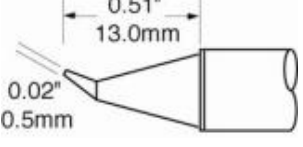
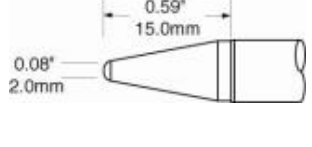
EASY ACCESS SOLDERING TIPS <i>for longer reach touch up applications</i>			
	SFV-CN05A Conical Solder Tip 0.5mm (.02")		SFV-CH18A Fine Solder Tip 1.8mm (.07")
	SFV-CN10A Conical Long Solder Tip 1.0mm (.04")		SFV-CH15A Chisel Solder Tip 1.5mm (.06")



 Diagram of SFV-CH50A Chisel Solder Tip. Dimensions: .461" (11.7mm) length, .197" (5.0mm) diameter.	SFV-CH50A Chisel Solder Tip 5.0mm (.197")	 Diagram of SFV-CNL03A Conical Long Solder Tip. Dimensions: .01" (0.3mm) diameter, .724" (18.4mm) length.	SFV-CNL03A Conical Long Solder Tip 0.3mm (.01")
 Diagram of SFV-CH25A Chisel Solder Tip. Dimensions: .10" (2.5mm) diameter, .528" (13.4mm) length.	SFV-CH25A Chisel Solder Tip 2.5mm (.10")	 Diagram of SFV-CNB04A Conical Long Solder Tip. Dimensions: .016" (0.4mm) diameter, .77" (19.6mm) length.	SFV-CNB04A Conical Long Solder Tip 0.4mm (.016")
 Diagram of SFV-CH10A Chisel Solder Tip. Dimensions: .04" (1.0mm) diameter, .54" (13.7mm) length.	SFV-CH10A Chisel Solder Tip 1.0mm (.04")	 Diagram of SFV-DRH430A Drag Solder Tip. Dimensions: 3.0mm (12") diameter, .45" (11.4mm) length, .12" (3.0mm) diameter at tip.	SFV-DRH430A Drag Solder Tip Hoof, 3.0mm (.12")
 Diagram of SFV-DRH420A Chisel Solder Tip. Dimensions: 2.0mm (.08") diameter, 45° angle, 20.7mm (.81") length.	SFV-DRH420A Chisel Solder Tip 2.0mm (.08")	 Diagram of SFV-DRK45A Knife Solder Tip. Dimensions: 4.5mm (.177") diameter, 45° angle, .18" (4.5mm) length.	SFV-DRK45A Knife Solder Tip 4.5mm (.177")
		 Diagram of SFV-DRK30A Knife Solder Tip. Dimensions: .12" (3.0mm) diameter, 45° angle, 3.0mm (.12") length.	SFV-DRK30A Knife Solder Tip 3.0mm (.12")

SOLDERING TIPS for heavy duty applications

 Diagram of SFV-CH10 Chisel Solder Tip. Dimensions: 0.43" (11.0mm) length, 0.04" (1.0mm) diameter.	SFV-CH10 Chisel Solder Tip 30° 1.0mm (.04")	 Diagram of SFV-CNL10 Conical Long Solder Tip. Dimensions: 0.51" (13.0mm) length, 0.04" (1.0mm) diameter.	SFV-CNL10 Conical Long Solder Tip 1.0mm (.04")
 Diagram of SFV-CH20 Chisel Solder Tip. Dimensions: 0.39" (10.0mm) length, 0.8" (2.0mm) diameter.	SFV-CH20 Chisel Solder Tip 2.0mm (.08")	 Diagram of SFV-CNL14 Conical Long Solder Tip. Dimensions: 0.59" (15.0mm) length, 0.056" (1.4mm) diameter.	SFV-CNL14 Conical Long Solder Tip 1.4mm (.056")
 Diagram of SFV-CH25 Chisel Solder Tip. Dimensions: 0.43" (11.0mm) length, 0.1" (2.5mm) diameter.	SFV-CH25 Chisel Solder Tip 2.5mm (.10")	 Diagram of SFV-DRH20 Conical Bevel Solder Tip. Dimensions: 0.55" (14.0mm) length, 0.08" (2.0mm) diameter.	SFV-DRH20 Conical Bevel Solder Tip 2.0mm (.08")
 Diagram of SFV-CH50 Extra Large Chisel Solder Tip. Dimensions: 0.4" (10.0mm) length, 0.2" (5.0mm) diameter.	SFV-CH50 Extra Large Chisel Solder Tip 5.0mm (.20")	 Diagram of SFV-DRK50 Knife Solder Tip. Dimensions: 5.0mm (.20") diameter, 45° angle, 14mm (.55") length.	SFV-DRK50 Knife Solder Tip 5.0mm (.20")

	SFV-CHB15 Chisel Bent 30&Deg; Solder Tip 5.0mm (.20")		SFV-CNLO4 Conical Long Solder Tip 0.4mm (.016")
	SFV-CN05 Conical Solder Tip 0.5mm (.02")		SFV-DRK50S Drag Soldering Tip Knife 5.0mm (.20")
	SFV-CNB05 Conical Bent Solder Tip 0.5mm (.02")		SFV-CNL20 Conical Tip Long 2.0mm (.08")
<p>The second digit denotes substrate material (damage tolerance). F= FR4 / Glass Fiber, for most standard applications. Two other series are also available, just replace F with either T or C. T = Temperature Sensitive, C = Ceramic</p>			