

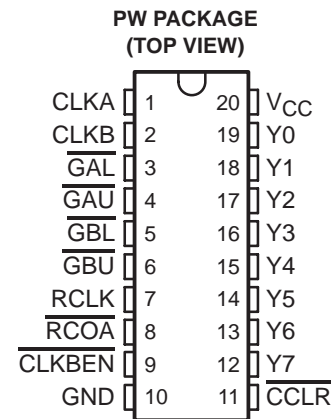
SN74LV8154-EP DUAL 16 BIT BINARY COUNTER WITH 3-STATE OUTPUT REGISTERS

SCLS704A – JULY 2006 – REVISED SEPTEMBER 2007

- **Controlled Baseline**
 - One Assembly Site
 - One Test Site
 - One Fabrication Site
- **Extended Temperature Performance of –55°C to 125°C**
- **Enhanced Diminishing Manufacturing Sources (DMS) Support**
- **Enhanced Product-Change Notification**
- **Qualification Pedigree†**
- **Can Be Used as Two 16 Bit Counters or a Single 32 Bit Counter**
- **2-V to 5.5-V V_{CC} Operation**
- **Max t_{pd} of 25 ns at 5 V (RCLK to Y)**
- **Typical V_{OLP} (Output Ground Bounce) <0.7 V at $V_{CC} = 5$ V, $T_A = 25^\circ\text{C}$**
- **Typical V_{OHV} (Output V_{OH} Undershoot) >4.4 V at $V_{CC} = 5$ V, $T_A = 25^\circ\text{C}$**
- **I_{off} Supports Partial-Power-Down Mode Operation**
- **Latch-Up Performance Exceeds 250 mA Per JESD 17**

- **ESD Protection Exceeds JESD 22**
 - 2000-V Human-Body Model (A114-A)
 - 200-V Machine Model (A115-A)
 - 1000-V Charged-Device Model (C101)

† Component qualification in accordance with JEDEC and industry standards to ensure reliable operation over an extended temperature range. This includes, but is not limited to, Highly Accelerated Stress Test (HAST) or biased 85/85, temperature cycle, autoclave or unbiased HAST, electromigration, bond intermetallic life, and mold compound life. Such qualification testing should not be viewed as justifying use of this component beyond specified performance and environmental limits.



description/ordering information

The SN74LV8154 is a dual 16 bit binary counter with 3-state output registers, designed for 2-V to 5.5-V V_{CC} operation.

This 16 bit counter (A or B) feeds a 16 bit storage register and each storage register is further divided into an upper byte and lower byte. The \overline{GAL} , \overline{GAU} , \overline{GBL} , and \overline{GBU} inputs are used to select the byte that needs to be output at Y0–Y7. CLKA is the clock for A counter and CLKB is the clock for B counter. RCLK is the clock for the A and B storage registers. All three clock signals are positive-edge triggered.

A 32 bit counter can be realized by connecting CLKA and CLKB together and by connecting \overline{RCOA} to \overline{CLKBEN} . To ensure the high-impedance state during power up or power down, \overline{GAL} , \overline{GAU} , \overline{GBL} , and \overline{GBU} should be tied to V_{CC} through a pullup resistor; the minimum value of the resistor is determined by the current-sinking capability of the driver.

This device is fully specified for partial-power-down applications using I_{off} . The I_{off} circuitry disables the outputs, preventing damaging current backflow through the device when it is powered down.

ORDERING INFORMATION†

T_A	PACKAGE‡		ORDERABLE PART NUMBER	TOP-SIDE MARKING
–55°C to 125°C	TSSOP – PW	Tape and reel	SN74LV8154MPWREP	LV8154ME

† For the most current package and ordering information, see the Package Option Addendum at the end of this document, or see the TI website at www.ti.com.

‡ Package drawings, standard packing quantities, thermal data, symbolization, and PCB design guidelines are available at www.ti.com/packaging.



Please be aware that an important notice concerning availability, standard warranty, and use in critical applications of Texas Instruments semiconductor products and disclaimers thereto appears at the end of this data sheet.

PRODUCTION DATA information is current as of publication date. Products conform to specifications per the terms of Texas Instruments standard warranty. Production processing does not necessarily include testing of all parameters.

 **TEXAS
INSTRUMENTS**

POST OFFICE BOX 655303 • DALLAS, TEXAS 75265

Copyright © 2007, Texas Instruments Incorporated

SN74LV8154-EP
DUAL 16 BIT BINARY COUNTER
WITH 3-STATE OUTPUT REGISTERS

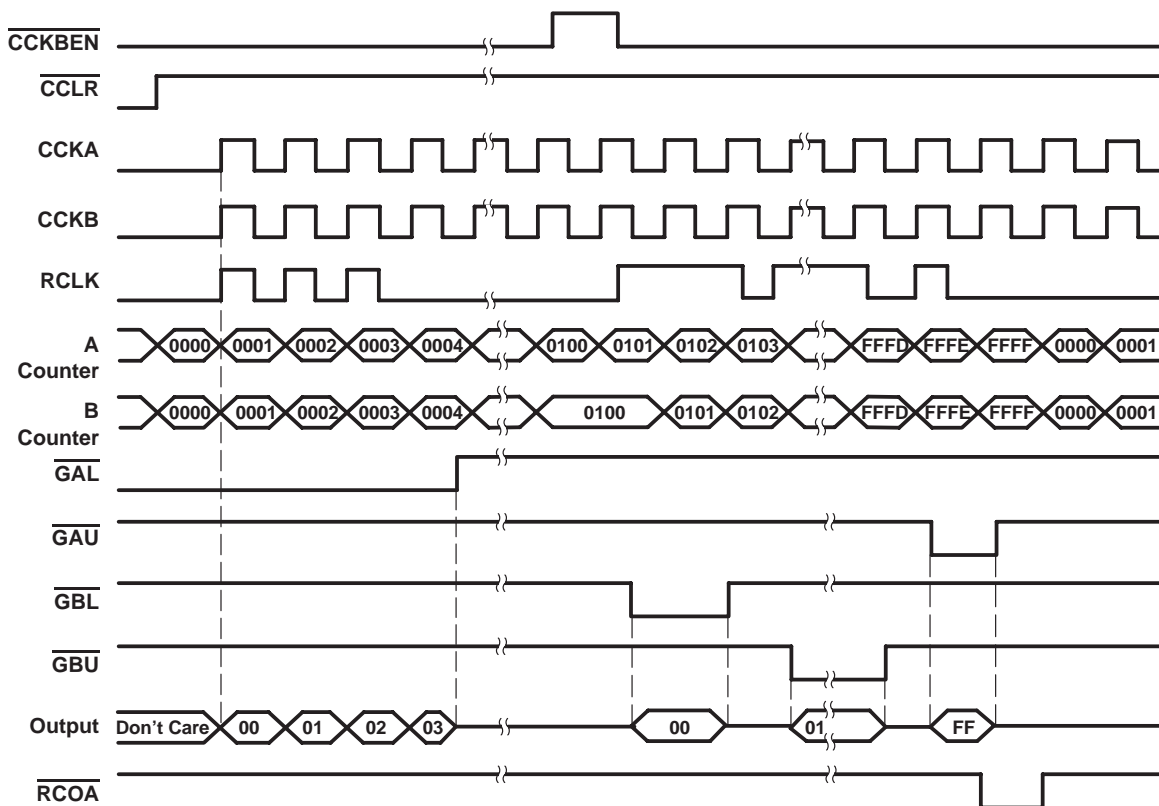
SCLS704A – JULY 2006 – REVISED SEPTEMBER 2007

FUNCTION TABLE
 (each buffer)

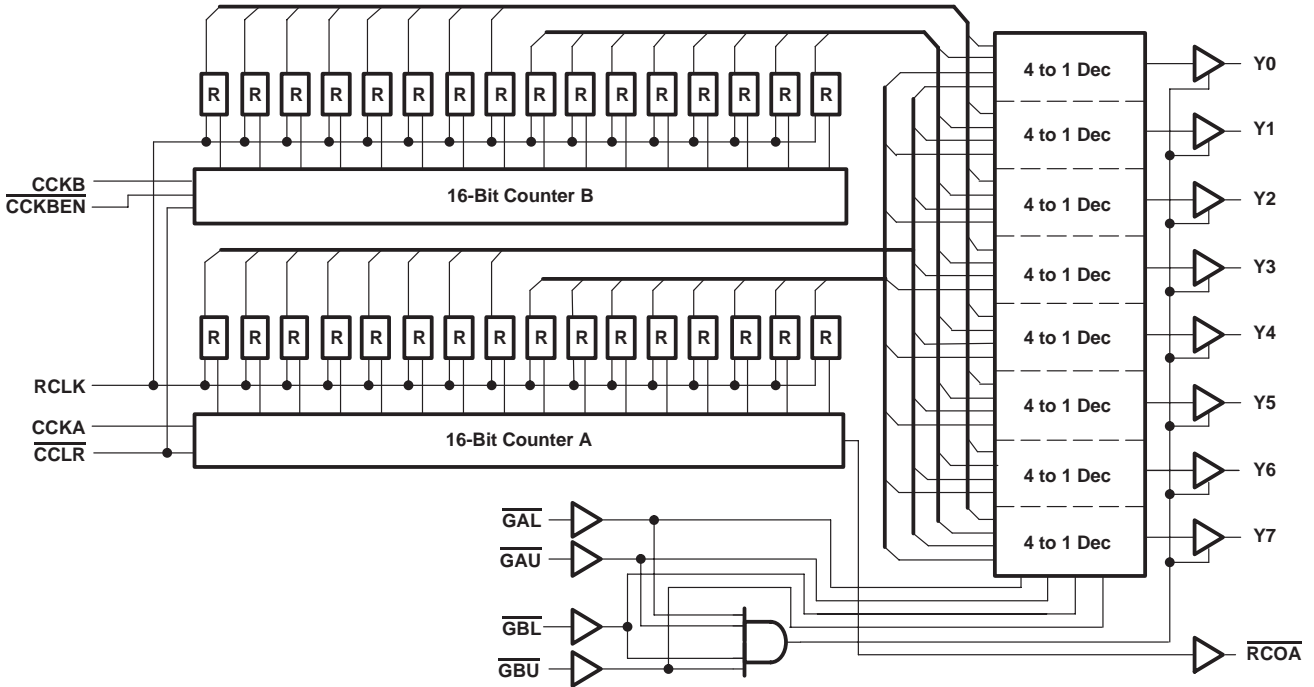
INPUTS				OUTPUT Y _n
$\overline{\text{GAL}}$	$\overline{\text{GAU}}$	$\overline{\text{GBL}}$	$\overline{\text{GBU}}$	
L	H	H	H	Lower byte in A register
H	L	H	H	Upper byte in A register
H	H	L	H	Lower byte in B register
H	H	H	L	Upper byte in B register
H	H	H	H	Z

Combinations of $\overline{\text{GAL}}$, $\overline{\text{GAU}}$, $\overline{\text{GBL}}$, and $\overline{\text{GBU}}$, other than those shown above, are prohibited. If more than one input is L at the same time, the output data (Y0–Y7) may be invalid.

timing diagram



block diagram



absolute maximum ratings over operating free-air temperature range (unless otherwise noted)†

Supply voltage range, V_{CC}	-0.5 V to 7 V
Input voltage range, V_I (see Note 1)	-0.5 V to 7 V
Voltage range applied to any output in the high-impedance or power-off state, V_O (see Note 1)	-0.5 V to 7 V
Output voltage range, V_O (see Note 1 and Note 2)	-0.5 V to $V_{CC} + 0.5$ V
Input clamp current, I_{IK} ($V_I < 0$ V)	-20 mA
Output clamp current, I_{OK} ($V_O < 0$ V)	-50 mA
Continuous output current, I_O ($V_O = 0$ V to V_{CC})	± 35 mA
Continuous current through V_{CC} or GND	± 70 mA
Package thermal impedance, θ_{JA} (see Note 3):	83°C/W
Storage temperature range, T_{stg}	-65°C to 150°C

† Stresses beyond those listed under “absolute maximum ratings” may cause permanent damage to the device. These are stress ratings only, and functional operation of the device at these or any other conditions beyond those indicated under “recommended operating conditions” is not implied. Exposure to absolute-maximum-rated conditions for extended periods may affect device reliability.

- NOTES: 1. The input and output voltage ratings may be exceeded if the input and output current ratings are observed.
 2. This value is limited to 5.5 V maximum.
 3. The package thermal impedance is calculated in accordance with JESD 51-7.

SN74LV8154-EP
DUAL 16 BIT BINARY COUNTER
WITH 3-STATE OUTPUT REGISTERS

SCLS704A – JULY 2006 – REVISED SEPTEMBER 2007

recommended operating conditions (see Note 4)

		V _{CC}	MIN	MAX	UNIT
V _{CC}	Supply voltage		2	5.5	V
V _{IH}	High-level input voltage	2 V	1.5		V
		3 V to 3.6 V	V _{CC} × 0.7		
		4.5 V to 5.5 V	V _{CC} × 0.7		
V _{IL}	Low-level input voltage	2 V		0.5	V
		3 V to 3.6 V		V _{CC} × 0.3	
		4.5 V to 5.5 V		V _{CC} × 0.3	
V _I	Input voltage		0	5.5	V
V _O	Output voltage	High or low state	0	V _{CC}	V
		3-state	0	5.5	
I _{OH}	Y _n outputs	2 V		-50	μA
		3 V to 3.6 V		-6	mA
		4.5 V to 5.5 V		-12	
	$\overline{\text{RCOA}}$	2 V		-50	μA
		3 V to 3.6 V		-6	mA
		4.5 V to 5.5 V		-12	
I _{OL}	Y _n outputs	2 V		50	μA
		3 V to 3.6 V		6	mA
		4.5 V to 5.5 V		12	
	$\overline{\text{RCOA}}$	2 V		50	μA
		3 V to 3.6 V		6	mA
		4.5 V to 5.5 V		12	
Δt/Δv	Input transition rise or fall rate	3 V to 3.6 V		100	ns/V
		4.5 V to 5.5 V		20	
T _A	Operating free-air temperature		-55	125	°C

NOTE 4: All unused inputs of the device must be held at V_{CC} or GND to ensure proper device operation. See the TI application report, *Implications of Slow or Floating CMOS Inputs*, literature number SCBA004.



SN74LV8154-EP
DUAL 16 BIT BINARY COUNTER
WITH 3-STATE OUTPUT REGISTERS
 SCLS704A – JULY 2006 – REVISED SEPTEMBER 2007

electrical characteristics over recommended operating free-air temperature range (unless otherwise noted)

PARAMETER		TEST CONDITIONS	V _{CC}	MIN	TYP	MAX	UNIT
V _{OH}	Y _n	I _{OH} = -50 μA	2 V	1.9			V
		I _{OH} = -6 mA	3 V	2.48			
		I _{OH} = -12 mA	4.5 V	3.8			
	RCOA	I _{OH} = -50 μA	2 V	1.9			
		I _{OH} = -6 mA	3 V	2.48			
		I _{OH} = -12 mA	4.5 V	3.8			
V _{OL}	Y _n	I _{OL} = 50 μA	2 V			0.1	V
		I _{OL} = 6 mA	3 V			0.44	
		I _{OL} = 12 mA	4.5 V			0.55	
	RCOA	I _{OL} = 50 μA	2 V			0.1	
		I _{OL} = 6 mA	3 V			0.44	
		I _{OL} = 12 mA	4.5 V			0.55	
I _I		V _I = 5.5 V or GND	0 V to 5.5 V			±1	μA
I _{OZ}		V _O = V _{CC} or GND	5.5 V			±5	μA
I _{CC}		V _I = V _{CC} or GND, I _O = 0	5.5 V			20	μA
I _{off}		V _I or V _O = 0 V to 5.5 V	0 V			5	μA
C _i		V _I = V _{CC} or GND	5 V		3		pF
C _o		V _O = V _{CC} or GND	5 V		5		pF

timing requirements over recommended operating free-air temperature range, V_{CC} = 3.3 V ± 0.3 V (unless otherwise noted) (see Figure 1)

			MIN	MAX	UNIT
t _w	Pulse duration	CLKA, CLKB, and RCLK high or low	10		ns
		CCLR low	22		
t _{su}	Setup time	CLKBEN low before CLKB↑	13		ns
		CCLR high (inactive) before CLKA↑ or CLKB↑	13		
		CLKA↑ or CLKB↑ before RCLK↑	13		
		RCLK↑ before GAL, GAU, GBL, or GBU low	13		
		GAL, GAU, GBL, or GBU high (inactive) before RCLK↑	13		
t _h	Hold time	CLKBEN low after CLKB↑	0		ns
		CLKA or CLKB after RCLK	0		
t _z [†]	Z-period	GAL, GAU, GBL, and GBU all high before one of them switches low	200		ns

[†] t_z condition: C_L = 50 pF, R_L = 1 kΩ

SN74LV8154-EP
DUAL 16 BIT BINARY COUNTER
WITH 3-STATE OUTPUT REGISTERS

SCLS704A – JULY 2006 – REVISED SEPTEMBER 2007

timing requirements over recommended operating free-air temperature range, $V_{CC} = 5\text{ V} \pm 0.5\text{ V}$ (unless otherwise noted) (see Figure 1)

			MIN	MAX	UNIT
t_w	Pulse duration	CLKA, CLKB, and RCLK high or low	10		ns
		$\overline{\text{CCLR}}$ low	20		
t_{su}	Setup time	$\overline{\text{CLKBEN}}$ low before CLKB \uparrow	10		ns
		$\overline{\text{CCLR}}$ high (inactive) before CLKA \uparrow or CLKB \uparrow	10		
		CLKA \uparrow or CLKB \uparrow before RCLK \uparrow	10		
		RCLK \uparrow before $\overline{\text{GAL}}$, $\overline{\text{GAU}}$, $\overline{\text{GBL}}$, or $\overline{\text{GBU}}$ low	10		
		$\overline{\text{GAL}}$, $\overline{\text{GAU}}$, $\overline{\text{GBL}}$, or $\overline{\text{GBU}}$ high (inactive) before RCLK \uparrow	10		
t_h	Hold time	$\overline{\text{CLKBEN}}$ low after CLKB \uparrow	0		ns
		CLKA or CLKB after RCLK	0		
t_z^\dagger	Z period	$\overline{\text{GAL}}$, $\overline{\text{GAU}}$, $\overline{\text{GBL}}$, and $\overline{\text{GBU}}$ all high before one of them switches low	200		ns

$^\dagger t_z$ condition: $C_L = 50\text{ pF}$, $R_L = 1\text{ k}\Omega$

switching characteristics over recommended operating free-air temperature range, $V_{CC} = 3.3\text{ V} \pm 0.3\text{ V}$ (unless otherwise noted) (see Figure 1)

PARAMETER	FROM (INPUT)	TO (OUTPUT)	LOAD CAPACITANCE	$T_A = 25^\circ\text{C}$	MIN	MAX	UNIT
				TYP			
f_{MAX}			$C_L = 50\text{ pF}$		25		MHz
t_{pd}	RCLK	Y	$C_L = 50\text{ pF}$	25	1	42	ns
	CLKA	$\overline{\text{RCOA}}$		28	1	46	
t_{PLH}	$\overline{\text{CCLR}}$	$\overline{\text{RCOA}}$		20	1	35	ns
t_{en}	$\overline{\text{GAL}}$, $\overline{\text{GAU}}$, $\overline{\text{GBL}}$, $\overline{\text{GBU}}$	Y		30	1	50	ns
t_{dis}	$\overline{\text{GAL}}$, $\overline{\text{GAU}}$, $\overline{\text{GBL}}$, $\overline{\text{GBU}}$	Y		14	1	24	ns

switching characteristics over recommended operating free-air temperature range, $V_{CC} = 5\text{ V} \pm 0.5\text{ V}$ (unless otherwise noted) (see Figure 1)

PARAMETER	FROM (INPUT)	TO (OUTPUT)	LOAD CAPACITANCE	$T_A = 25^\circ\text{C}$	MIN	MAX	UNIT
				TYP			
f_{MAX}			$C_L = 50\text{ pF}$		25		MHz
t_{pd}	RCLK	Y	$C_L = 50\text{ pF}$	16	1	27	ns
	CLKA	$\overline{\text{RCOA}}$		17	1	28	
t_{PLH}	$\overline{\text{CCLR}}$	$\overline{\text{RCOA}}$		13	1	21	ns
t_{en}	$\overline{\text{GAL}}$, $\overline{\text{GAU}}$, $\overline{\text{GBL}}$, $\overline{\text{GBU}}$	Y		18	1	30	ns
t_{dis}	$\overline{\text{GAL}}$, $\overline{\text{GAU}}$, $\overline{\text{GBL}}$, $\overline{\text{GBU}}$	Y		9	1	16	ns



SN74LV8154-EP
DUAL 16 BIT BINARY COUNTER
WITH 3-STATE OUTPUT REGISTERS
SCLS704A – JULY 2006 – REVISED SEPTEMBER 2007

noise characteristics, $V_{CC} = 5\text{ V}$, $C_L = 50\text{ pF}$

PARAMETER	$T_A = 25^\circ\text{C}$	UNIT
	TYP	
$V_{OL(P)}$ Quiet output, maximum dynamic V_{OL}	0.7	V
$V_{OL(V)}$ Quiet output, minimum dynamic V_{OL}	-0.75	V
$V_{OH(V)}$ Quiet output, minimum dynamic V_{OH}	4.4	V

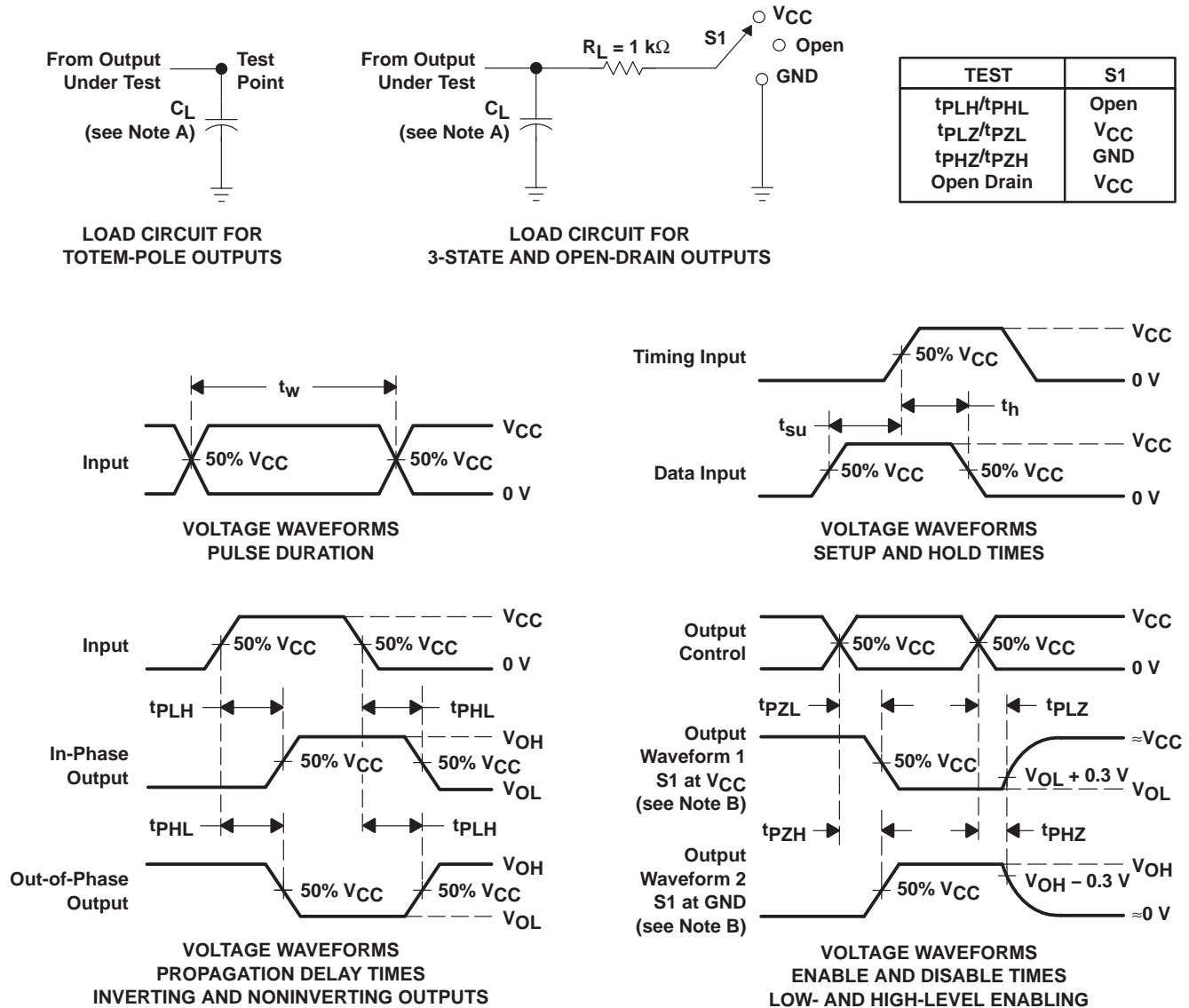
operating characteristics, $V_{CC} = 5\text{ V}$, $T_A = 25^\circ\text{C}$

PARAMETER	TEST CONDITIONS	TYP	UNIT
C_{pd} Power dissipation capacitance	$C_L = \text{No load}$, $CCLK = 10\text{ MHz}$, $RCLK = 1\text{ MHz}$	56	pF

SN74LV8154-EP DUAL 16 BIT BINARY COUNTER WITH 3-STATE OUTPUT REGISTERS

SCLS704A – JULY 2006 – REVISED SEPTEMBER 2007

PARAMETER MEASUREMENT INFORMATION



- NOTES:
- A. C_L includes probe and jig capacitance.
 - B. Waveform 1 is for an output with internal conditions such that the output is low, except when disabled by the output control. Waveform 2 is for an output with internal conditions such that the output is high, except when disabled by the output control.
 - C. All input pulses are supplied by generators having the following characteristics: PRR $\leq 1\text{ MHz}$, $Z_O = 50\ \Omega$, $t_r \leq 3\text{ ns}$, $t_f \leq 3\text{ ns}$.
 - D. The outputs are measured one at a time, with one input transition per measurement.
 - E. t_{PLZ} and t_{PHZ} are the same as t_{dis} .
 - F. t_{PZL} and t_{PZH} are the same as t_{en} .
 - G. t_{PHL} and t_{PLH} are the same as t_{pd} .
 - H. All parameters and waveforms are not applicable to all devices.

Figure 1. Load Circuits and Voltage Waveforms

PACKAGING INFORMATION

Orderable Device	Status (1)	Package Type	Package Drawing	Pins	Package Qty	Eco Plan (2)	Lead finish/ Ball material (6)	MSL Peak Temp (3)	Op Temp (°C)	Device Marking (4/5)	Samples
SN74LV8154MPWREP	ACTIVE	TSSOP	PW	20	2000	RoHS & Green	NIPDAU	Level-1-260C-UNLIM	-55 to 125	LV8154ME	Samples
V62/06662-01XE	ACTIVE	TSSOP	PW	20	2000	RoHS & Green	NIPDAU	Level-1-260C-UNLIM	-55 to 125	LV8154ME	Samples

(1) The marketing status values are defined as follows:

ACTIVE: Product device recommended for new designs.

LIFEBUY: TI has announced that the device will be discontinued, and a lifetime-buy period is in effect.

NRND: Not recommended for new designs. Device is in production to support existing customers, but TI does not recommend using this part in a new design.

PREVIEW: Device has been announced but is not in production. Samples may or may not be available.

OBSELETE: TI has discontinued the production of the device.

(2) **RoHS:** TI defines "RoHS" to mean semiconductor products that are compliant with the current EU RoHS requirements for all 10 RoHS substances, including the requirement that RoHS substance do not exceed 0.1% by weight in homogeneous materials. Where designed to be soldered at high temperatures, "RoHS" products are suitable for use in specified lead-free processes. TI may reference these types of products as "Pb-Free".

RoHS Exempt: TI defines "RoHS Exempt" to mean products that contain lead but are compliant with EU RoHS pursuant to a specific EU RoHS exemption.

Green: TI defines "Green" to mean the content of Chlorine (Cl) and Bromine (Br) based flame retardants meet JS709B low halogen requirements of <=1000ppm threshold. Antimony trioxide based flame retardants must also meet the <=1000ppm threshold requirement.

(3) MSL, Peak Temp. - The Moisture Sensitivity Level rating according to the JEDEC industry standard classifications, and peak solder temperature.

(4) There may be additional marking, which relates to the logo, the lot trace code information, or the environmental category on the device.

(5) Multiple Device Markings will be inside parentheses. Only one Device Marking contained in parentheses and separated by a "~" will appear on a device. If a line is indented then it is a continuation of the previous line and the two combined represent the entire Device Marking for that device.

(6) Lead finish/Ball material - Orderable Devices may have multiple material finish options. Finish options are separated by a vertical ruled line. Lead finish/Ball material values may wrap to two lines if the finish value exceeds the maximum column width.

Important Information and Disclaimer:The information provided on this page represents TI's knowledge and belief as of the date that it is provided. TI bases its knowledge and belief on information provided by third parties, and makes no representation or warranty as to the accuracy of such information. Efforts are underway to better integrate information from third parties. TI has taken and continues to take reasonable steps to provide representative and accurate information but may not have conducted destructive testing or chemical analysis on incoming materials and chemicals. TI and TI suppliers consider certain information to be proprietary, and thus CAS numbers and other limited information may not be available for release.

In no event shall TI's liability arising out of such information exceed the total purchase price of the TI part(s) at issue in this document sold by TI to Customer on an annual basis.

OTHER QUALIFIED VERSIONS OF SN74LV8154-EP :

- Catalog: [SN74LV8154](#)

NOTE: Qualified Version Definitions:

- Catalog - TI's standard catalog product

TAPE AND REEL INFORMATION



QUADRANT ASSIGNMENTS FOR PIN 1 ORIENTATION IN TAPE



*All dimensions are nominal

Device	Package Type	Package Drawing	Pins	SPQ	Reel Diameter (mm)	Reel Width W1 (mm)	A0 (mm)	B0 (mm)	K0 (mm)	P1 (mm)	W (mm)	Pin1 Quadrant
SN74LV8154MPWREP	TSSOP	PW	20	2000	330.0	16.4	6.95	7.1	1.6	8.0	16.0	Q1

TAPE AND REEL BOX DIMENSIONS



*All dimensions are nominal

Device	Package Type	Package Drawing	Pins	SPQ	Length (mm)	Width (mm)	Height (mm)
SN74LV8154MPWREP	TSSOP	PW	20	2000	853.0	449.0	35.0

PW (R-PDSO-G20)

PLASTIC SMALL OUTLINE



4040064-5/G 02/11

- NOTES:
- A. All linear dimensions are in millimeters. Dimensioning and tolerancing per ASME Y14.5M-1994.
 - B. This drawing is subject to change without notice.
 - C. Body length does not include mold flash, protrusions, or gate burrs. Mold flash, protrusions, or gate burrs shall not exceed 0,15 each side.
 - D. Body width does not include interlead flash. Interlead flash shall not exceed 0,25 each side.
 - E. Falls within JEDEC MO-153

PW (R-PDSO-G20)

PLASTIC SMALL OUTLINE



- NOTES:
- A. All linear dimensions are in millimeters.
 - B. This drawing is subject to change without notice.
 - C. Publication IPC-7351 is recommended for alternate design.
 - D. Laser cutting apertures with trapezoidal walls and also rounding corners will offer better paste release. Customers should contact their board assembly site for stencil design recommendations. Refer to IPC-7525 for other stencil recommendations.
 - E. Customers should contact their board fabrication site for solder mask tolerances between and around signal pads.

IMPORTANT NOTICE AND DISCLAIMER

TI PROVIDES TECHNICAL AND RELIABILITY DATA (INCLUDING DATASHEETS), DESIGN RESOURCES (INCLUDING REFERENCE DESIGNS), APPLICATION OR OTHER DESIGN ADVICE, WEB TOOLS, SAFETY INFORMATION, AND OTHER RESOURCES "AS IS" AND WITH ALL FAULTS, AND DISCLAIMS ALL WARRANTIES, EXPRESS AND IMPLIED, INCLUDING WITHOUT LIMITATION ANY IMPLIED WARRANTIES OF MERCHANTABILITY, FITNESS FOR A PARTICULAR PURPOSE OR NON-INFRINGEMENT OF THIRD PARTY INTELLECTUAL PROPERTY RIGHTS.

These resources are intended for skilled developers designing with TI products. You are solely responsible for (1) selecting the appropriate TI products for your application, (2) designing, validating and testing your application, and (3) ensuring your application meets applicable standards, and any other safety, security, or other requirements. These resources are subject to change without notice. TI grants you permission to use these resources only for development of an application that uses the TI products described in the resource. Other reproduction and display of these resources is prohibited. No license is granted to any other TI intellectual property right or to any third party intellectual property right. TI disclaims responsibility for, and you will fully indemnify TI and its representatives against, any claims, damages, costs, losses, and liabilities arising out of your use of these resources.

TI's products are provided subject to TI's Terms of Sale (www.ti.com/legal/termsofsale.html) or other applicable terms available either on ti.com or provided in conjunction with such TI products. TI's provision of these resources does not expand or otherwise alter TI's applicable warranties or warranty disclaimers for TI products.

Mailing Address: Texas Instruments, Post Office Box 655303, Dallas, Texas 75265
Copyright © 2020, Texas Instruments Incorporated