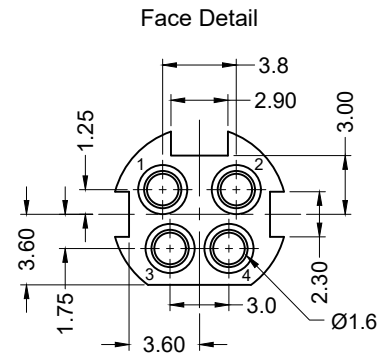


Recommended PCB Layout
(Bottom View)



Material and Finish

Body: High Temperature, Thermoplastic,
UL94V-0 Rated
Color: Black
Contacts: Brass, Tin Plated
Inner Shield: Copper Alloy, Tin Plated

Electrical Characteristics

Contact Rating (Per Pin):
7.5A Max. @ 48V DC
Insulation Resistance:
50 Megohms Min. at 250V DC
Dielectric Withstanding Voltage:
500V AC RMS for 1 Min.
Contact Resistance:
30 milliohms Max.

Mechanical Characteristics

Operating Temperature:
-40°C to 85°C

Note:
Recommended for use with Kycon KPPX plug.

Tolerances

X.X ± 0.35
X.XX ± 0.25
Unless Stated Otherwise



REV.	DATE	DESCRIPTION	REV. BY	CHK. BY	DRAWN BY	DATE
A5	04/04/12	ECO #12-011	S. Vien	P. DalCanto	H. MA	5/10/05
A6	01/28/13	ECO #13-006	S. Vien	P. DalCanto		
A7	09/18/15	ECO #15-010	C. Kelleher	W. Cook	UNITS	mm
A8	02/26/16	ECO #16-005	C. Kelleher	W. Cook		
A9	08/20/18	ECO #18-034	G. Serrato	D. Shehan		mm
A10	10/05/18	ECO #18-051	G. Serrato	D. Shehan		

KPJXHT-4S

DC Power Jack, RoHS compliant

4 Position, Non-Shielded, High Temperature

