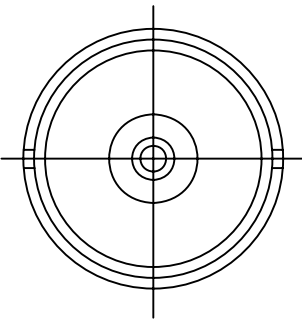


3/8-32UNEF



P/NO.:		<b>NCB-0158</b>		DES.: BNC FEMALE / F FEMALE	
CUSTOMER:		CHIP & DIP		DRAW NO.: NCB-0158	
CUST. P/N.:		GB-158		VER 1.0	
APP.	Eric	UNITS	m/m		
CHK.	Carmen	DATE	2008/12/24		
DATE	2008/12/24	SHEET	1/1		
VER.NO.	1.0	DESCRIPTION	NEW DRAWING		

**NEW CENTRESS**  
INTERNATIONAL CO., LTD.