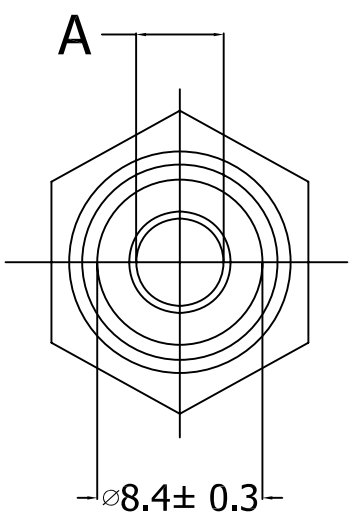


3/8-32UNEF



	A
58/U	3.2
59/U	3.9
6/U	4.9

P/NO.:		NCF-0803	
CUSTOMER:		CHIP & DIP	
CUST. P/N.:		GF-803	
APP.	Eric	UNITS	m/m
CHK.	Carmen	DATE	2008/12/24
DRAW.	Christna	SHEET	1/1
DES.: F MALE W/ ATTACHED GRIP RING		DRAW NO.: NCF-0803	
NEW CENTRESS INTERNATIONAL CO., LTD.		VER 1.0	
1.0	NEW DRAWING	2008/12/24	
VER.NO.	DESCRIPTION	DATE	