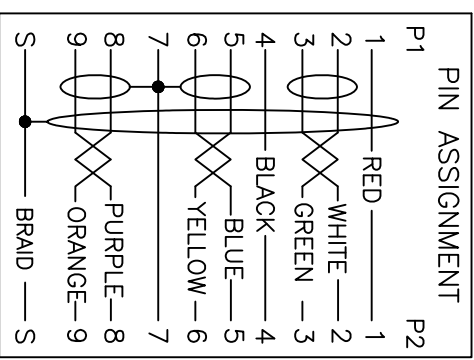
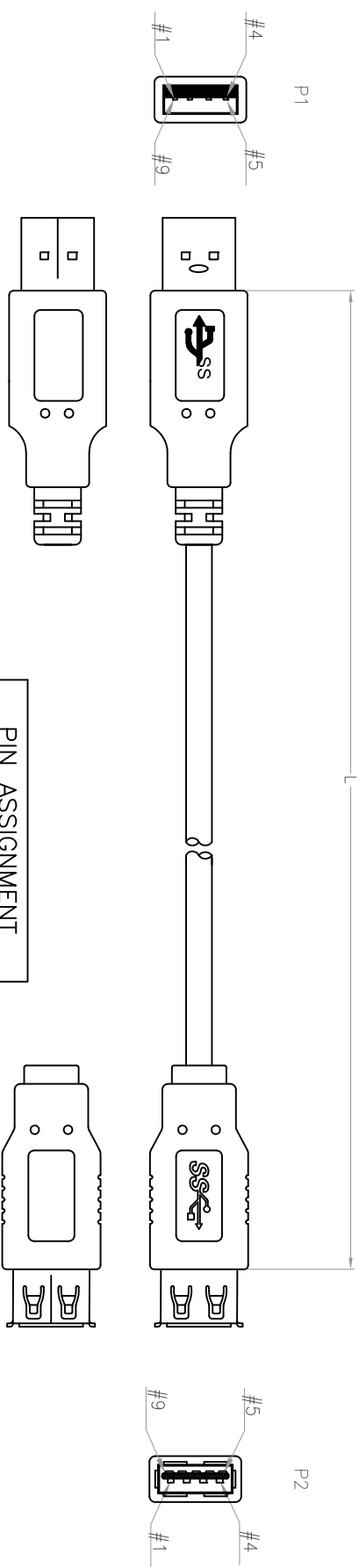


Rev	AWO #	Description	Date	Appr
-		RELEASED	10/13/15	

APPROVED: _____ TITLE: _____
 DATE: _____

CUSTOM CABLE ASSEMBLIES ARE NON-CANCELLABLE/NON-RETURNABLE



ADAM P/N	L
CA-USB3-AM/AF-3FT	36.024"±1.181" [915±30mm]
CA-USB3-AM/AF-6FT	72.047"±1.969" [1830±50mm]
CA-USB3-AM/AF-10FT	120.079"±1.969" [3050±50mm]

SPECIFICATIONS:

Connector:
 P1 = USB 3.0 Connector A type Plug, Gold Flash Plated,
 Insulator Color: Blue, Overmold Color: Blue, 50P PVC
 P2 = USB 3.0 Connector A type Socket, Gold Flash Plated,
 Insulator Color: Blue, Overmold Color: Blue, 50P PVC

Cable:
 UL20276, (30#*1P+D+A+A+M)*2C+30#*1P+26#*2C+A+A+B,
 OD: .189" [4.8mm], Jacket Color: Blue.

Electrical Test:
 All Assemblies must be 100% Tested for
 Shorts, Open, Continuity, and Physical Appearance.
 Environmental:
 Lead free, RoHS compliant



UNLESS OTHERWISE SPECIFIED ALL DIMENSIONS ARE INCHES [MM]	
TOLERANCES: EXCEPT AS NOTED	
INCHES	HOLES
.X ±.10	±.10
.XX ±.020	±.015
.XXX ±.015	±.010
APPROVALS	DATE
DRAWN	HR
CHECKED	TW
APPROVED	

ADAM TECH
 909 Rahway Avenue, Union, NJ 07083
 Phone: 908-687-5000 Fax: 908-687-5710

TITLE: CUSTOM ASSEMBLY, USB 3.0 PLUG TYPE A
 USB 3.0 SOCKET TYPE A

SIZE	PART NO.	REV.
X	CA-USB3-AM/AF-XFT	-
REF:	S00087T	SHEET 1 OF 1
SCALE:	NTS	