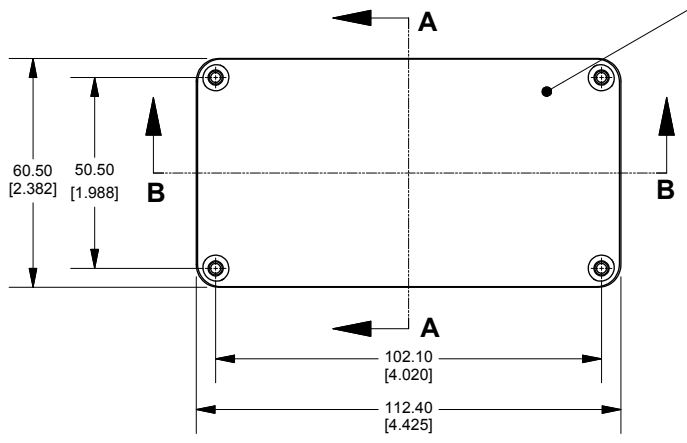
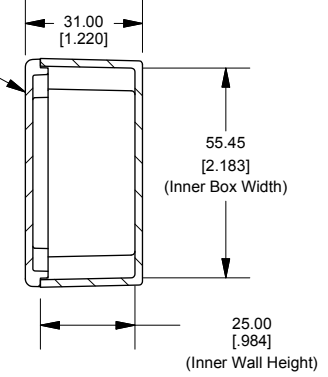


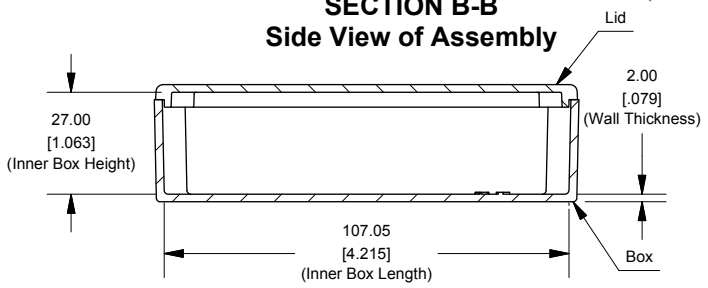
Top View of Assembly



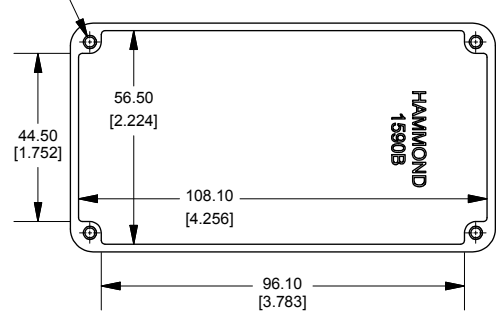
SECTION A-A End View of Assembly



SECTION B-B Side View of Assembly



Top View Looking Inside Box



Enclosures can be Factory Modified (Milling, Drilling, Printing etc.)
 Contact Factory mjm@hammondmfg.com for quotes
 Solid models of this enclosure available in STEP or IGES.

NOTE

Purchased assembly includes box, lid and 4 cover screws.
 Box and lid are made from Diecast Aluminum Alloy.
 Silicone Gasket supplied with liquid resistant enclosure.

PART NUMBERS

1590B Enclosure	
Natural Finish Enclosure	1590B
Black Textured Enclosure	1590BBK
1590B Liquid Resistant Enclosure (Silicone Gasket)	
Natural Finish Enclosure	1590WB
Black Textured Enclosure	1590WBBK

ACCESSORIES

Recommended Torque: 75 ozf.in / 55 cN.m

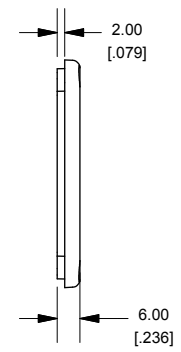
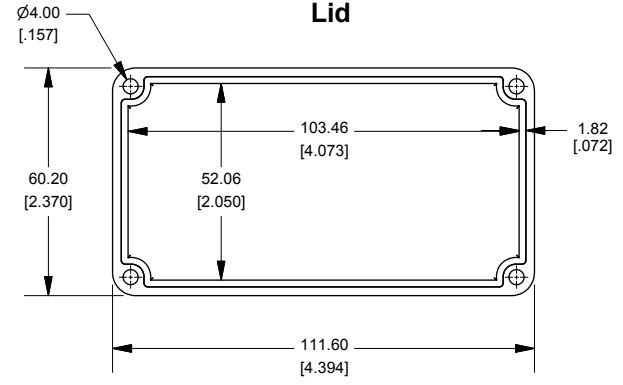
Liquid Resistant Cover Screws

Stainless Steel Cover Screws (Pkg 100) [6-32 x 1/2" With O-Ring]	1590WMS100
Black Stainless Steel Cover Screws (Pkg 100) [6-32 x 1/2" With O-Ring]	1590WMS100BK

Standard Cover Screws

Plated Cover Screws (Pkg 100) [6-32 x 1/2"]	1590MS100
Black Cover Screws (Pkg 100) [6-32 x 1/2"]	1590MS100BK

Lid



Dimensions:
 mm
 [inches]

**HAMMOND
MANUFACTURING™**

1590B

www.hammondmfg.com