

SACC-M 8FS-4QO-0,25-M - Connector



1441053

<https://www.phoenixcontact.com/us/products/1441053>

Please be informed that the data shown in this PDF document is generated from our online catalog. Please find the complete data in the user documentation. Our general terms of use for downloads are valid.



Connector, Universal, 4-position, Socket straight M8, A, Insulation displacement connection, knurl material: Zinc die-cast, nickel-plated, external cable diameter 2.5 mm ... 5 mm

Your advantages

- Safe use in the field, thanks to a high degree of protection
- Insulation displacement connection: innovative and time-saving assembly without stripping the single wire

Commercial data

| | |
|--------------------------------------|--------------------|
| Item number | 1441053 |
| Packing unit | 1 pc |
| Minimum order quantity | 1 pc |
| Sales key | BF31 |
| Product key | BF2BCA |
| Catalog page | Page 16 (C-2-2019) |
| GTIN | 4046356515948 |
| Weight per piece (including packing) | 7.3 g |
| Weight per piece (excluding packing) | 6.8 g |
| Customs tariff number | 85366990 |
| Country of origin | DE |

SACC-M 8FS-4QO-0,25-M - Connector



1441053

<https://www.phoenixcontact.com/us/products/1441053>

Technical data

Notes

| | |
|---------|--|
| General | NOTE: Observe the permissible bending radii when laying conductors, since the degree of protection may be put in jeopardy if the bending forces are too high. Alleviate mechanical loads upstream of the connector, e.g. by using cable ties. |
|---------|--|

Mounting

| | |
|-------------------|------------------------------------|
| Connection method | Insulation displacement connection |
|-------------------|------------------------------------|

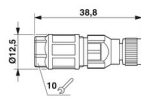
Product properties

| | |
|----------------------|---------------------------------|
| Product type | Circular connector (cable-side) |
| Sensor type | Universal |
| Number of positions | 4 |
| No. of cable outlets | 1 |
| Shielded | no |
| Coding | A |
| Cable outlet | straight |

Insulation characteristics

| | |
|----------------------|----|
| Overvoltage category | II |
| Degree of pollution | 3 |

Dimensions

| | |
|---------------------|--|
| Dimensional drawing |  |
| Length | 38.8 mm |

External dimensions

| | |
|------------------|-------------------------|
| Outside diameter | 2.5 mm ... 5 mm ±0.2 mm |
|------------------|-------------------------|

Housing

| | |
|------------------|---------|
| Diameter housing | 12.5 mm |
|------------------|---------|

Material specifications

| | |
|--|--------|
| Flammability rating according to UL 94 | HB |
| Seal material | NBR |
| Material of grip body | PA 6 |
| Contact material | CuSn |
| Contact surface material | Ni/Au |
| Contact carrier material | TPU GF |

SACC-M 8FS-4QO-0,25-M - Connector



1441053

<https://www.phoenixcontact.com/us/products/1441053>

| | |
|-------------------------------|------------------------------|
| Material for screw connection | Zinc die-cast, nickel-plated |
| Wire insulation material | PVC / PE / PP / rubber |

Connection data

Conductor connection

| | |
|------------------------------|---|
| Connection method | Insulation displacement connection |
| Connection cross section | 0.08 mm ² ... 0.25 mm ² |
| Connection cross section AWG | 28 ... 24 |
| Tightening torque | 0.6 Nm (Pressure nut) |
| | 0.2 Nm (M8 knurl) |

Pin assignment

| | |
|---|--------|
| Contact Color (signal designation) Contact (optional) | 1 = BN |
| | 2 = WH |
| | 3 = BU |
| | 4 = BK |

Electrical properties

| | |
|--------------------------------|----------|
| Rated surge voltage | 0.8 kV |
| Contact resistance | ≤ 5 mΩ |
| Insulation resistance | ≥ 100 MΩ |
| Nominal voltage U _N | 30 V AC |
| | 30 V DC |
| Nominal current I _N | 4 A |

Mechanical properties

Mechanical data

| | |
|-----------------------------|-------|
| Insertion/withdrawal cycles | ≥ 100 |
|-----------------------------|-------|

Connector

Connection 1

| | |
|-------------------|----------|
| Head design | Socket |
| Head cable outlet | straight |
| Head thread type | M8 |
| Coding | A |

Cable/line

| | |
|-----------------------------|-----------------|
| Signal type/category | Universal |
| External cable diameter () | 2.5 mm ... 5 mm |

Environmental and real-life conditions

Ambient conditions

| | |
|----------------------|------|
| Degree of protection | IP65 |
|----------------------|------|

SACC-M 8FS-4QO-0,25-M - Connector



1441053

<https://www.phoenixcontact.com/us/products/1441053>

| | |
|---------------------------------|----------------------------------|
| | IP67 |
| Ambient temperature (operation) | -25 °C ... 80 °C (Plug / socket) |

Standards and regulations

M8

| | |
|--------------------------|-----------------|
| Standard designation | M8 connector |
| Standards/specifications | IEC 61076-2-104 |

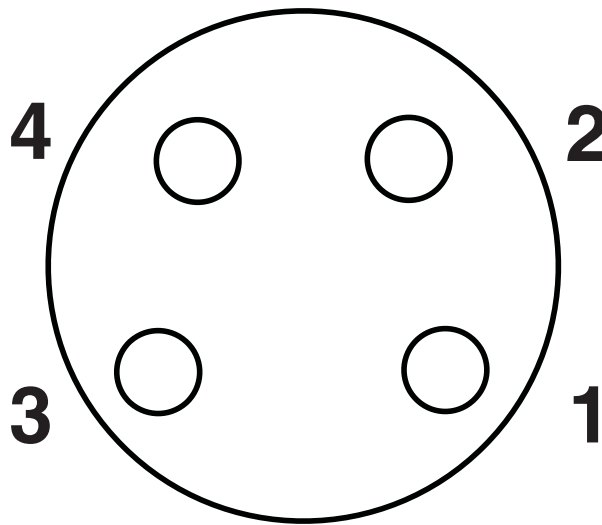
SACC-M 8FS-4QO-0,25-M - Connector

1441053

<https://www.phoenixcontact.com/us/products/1441053>

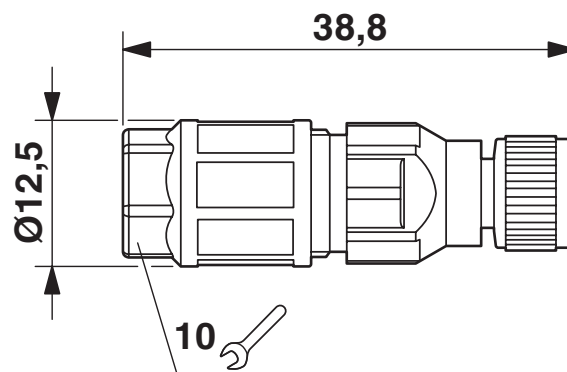
Drawings

Schematic diagram



Pin assignment of M8 socket, 4-pos., view of pin side

Dimensional drawing



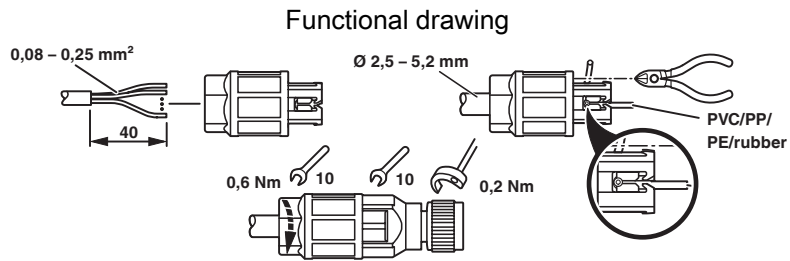
Socket M8 x 1, straight

SACC-M 8FS-4QO-0,25-M - Connector



1441053

<https://www.phoenixcontact.com/us/products/1441053>



SACC-M 8FS-4QO-0,25-M - Connector



1441053

<https://www.phoenixcontact.com/us/products/1441053>

Approvals

To download certificates, visit the product detail page: <https://www.phoenixcontact.com/us/products/1441053>



cUL Recognized

Approval ID: FILE E 118976



UL Recognized

Approval ID: FILE E 118976



EAC

Approval ID: RU C-DE.AI30.B.01102



EAC

Approval ID: RU C-DE.BL08.B.00511

cULus Recognized

SACC-M 8FS-4QO-0,25-M - Connector



1441053

<https://www.phoenixcontact.com/us/products/1441053>

Classifications

ECLASS

| | |
|-------------|----------|
| ECLASS-11.0 | 27440102 |
| ECLASS-12.0 | 27440116 |
| ECLASS-13.0 | 27440116 |

ETIM

| | |
|----------|----------|
| ETIM 8.0 | EC002635 |
|----------|----------|

UNSPSC

| | |
|-------------|----------|
| UNSPSC 21.0 | 39121400 |
|-------------|----------|

SACC-M 8FS-4QO-0,25-M - Connector



1441053

<https://www.phoenixcontact.com/us/products/1441053>

Environmental product compliance

| | |
|------------|---|
| China RoHS | Environmentally friendly use period: unlimited = EFUP-e |
| | No hazardous substances above threshold values |

SACC-M 8FS-4QO-0,25-M - Connector

1441053

<https://www.phoenixcontact.com/us/products/1441053>



Accessories

PROT-M 8 MS-PA-CHAIN - Screw plug

1430860

<https://www.phoenixcontact.com/us/products/1430860>

M8 sealing cap made of plastic with fixing band for sensor cables, for M8 sockets



SAC-4P-100,0-PUR/0,25 - Cable reel

1501692

<https://www.phoenixcontact.com/us/products/1501692>

By the meter, Cable reel, PUR halogen-free, black-gray RAL 7021, 4-wire, color single wire: brown, white, blue, black, cable length: 100 m



SACC-M 8FS-4QO-0,25-M - Connector

1441053

<https://www.phoenixcontact.com/us/products/1441053>



TSD 02 SAC - Torque screwdriver

1208487

<https://www.phoenixcontact.com/us/products/1208487>



Torque screwdriver, with preset torque of 0.2 Nm and 4 mm hexagonal drive for M8 connectors

SAC BIT M8-D10 - Tool

1208461

<https://www.phoenixcontact.com/us/products/1208461>



Nut for assembling M8 connectors with longitudinal knurl and a knurl diameter of 10 mm, for 4 mm hexagonal drive

SACC-M 8FS-4QO-0,25-M - Connector

1441053

<https://www.phoenixcontact.com/us/products/1441053>



TSD-M 1,2NM - Torque screwdriver

1212224

<https://www.phoenixcontact.com/us/products/1212224>



Torque screw driver, accuracy as per EN ISO 6789 standard, adjustable from 0.3 - 1.2 Nm

TSD-M SAC-BIT ADAPTER - Adapter insert

1212600

<https://www.phoenixcontact.com/us/products/1212600>



Adapter bit for TSD-M...torque tools, E6.3-1/4" drive with 4 mm hexagon to accommodate SAC bits

Phoenix Contact 2023 © - all rights reserved
<https://www.phoenixcontact.com>

Phoenix Contact USA
586 Fulling Mill Road
Middletown, PA 17057, United States
(+717) 944-1300
info@phoenixcon.com