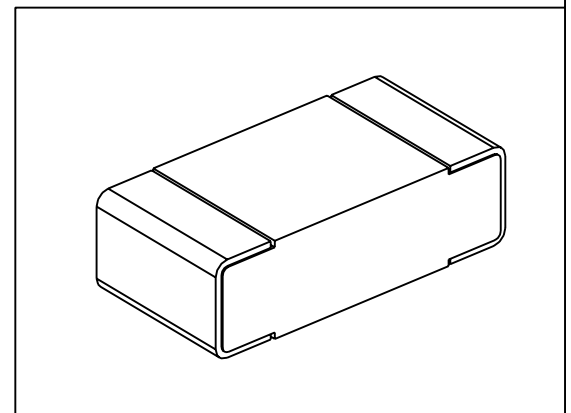
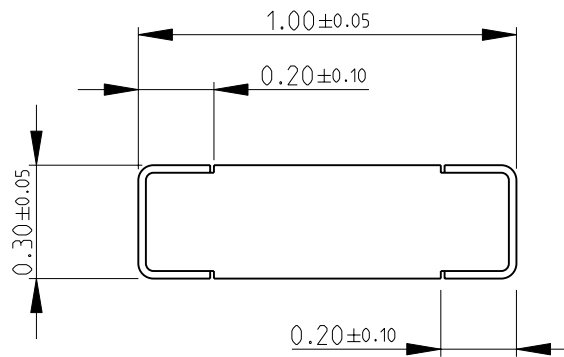


LOC	DIST	REVISIONS			
P	LTR	DESCRIPTION	DATE	DWN	APVD
E	B				
	BA	NEW RELEASE	27-Sep-08	SM	St.P

FOR FURTHER INFORMATION SEE DATA SHEET FOR  
CPF SERIES-THIN FILM PRECISION CHIP RESISTORS



RoHS Compliant

2008

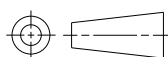
RELEASED FOR PUBLICATION

THIS DRAWING IS UNPUBLISHED.

BY TYCO ELECTRONICS CORPORATION. ALL RIGHTS RESERVED.



DIMENSIONS: mm	DWN SUBHASH.M	27-Sep-08	MATERIAL	-	FINISH	-				
	CHK PRAKASH.S	27-Sep-08	Tyco Electronics Corporation Dorcan, Swindon, SN3 5HH							
TOLERANCES UNLESS OTHERWISE SPECIFIED:	APVD STEPHEN.P	27-Sep-08								
	0 PLC ±0.2	PRODUCT SPEC	NAME THIN FILM PRECISION CHIP RESISTORS							
1 PLC ±0.1	APPLICATION SPEC	SERIES CPF 0402								
2 PLC ±-	WEIGHT	-	SIZE	A 4	CAGE CODE	00779	DRAWING NO	©= 1879214	RESTRICTED TO	-
3 PLC ±-	CUSTOMER DRAWING		SCALE	50:1	SHEET	1	OF	1	REV	BA
4 PLC ±-										
ANGLES ±5°										



# Mouser Electronics

Authorized Distributor

Click to View Pricing, Inventory, Delivery & Lifecycle Information:

[TE Connectivity:](#)

[1879214-5](#)