

THIS DRAWING IS UNPUBLISHED.

RELEASED FOR PUBLICATION

2008

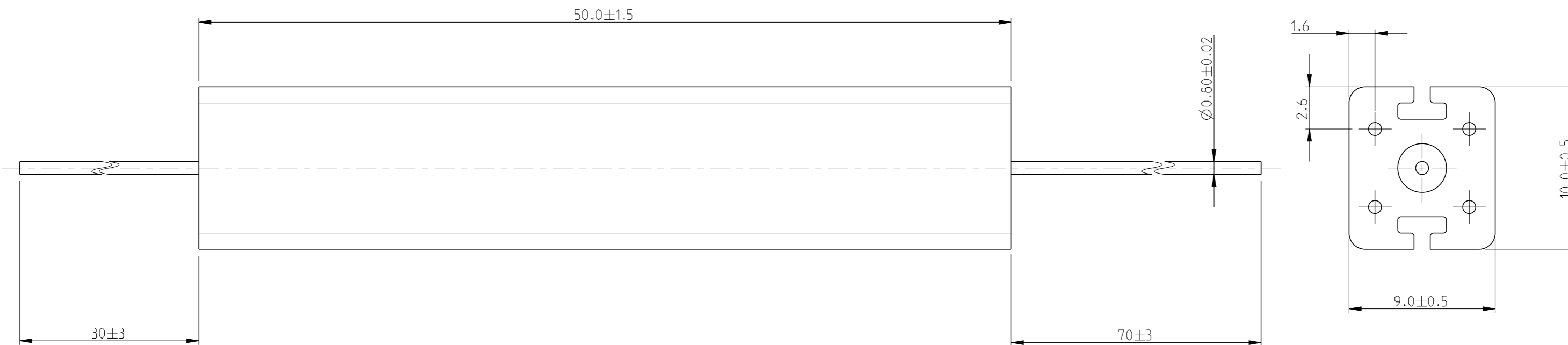
© COPYRIGHT 2008 BY -

ALL RIGHTS RESERVED.

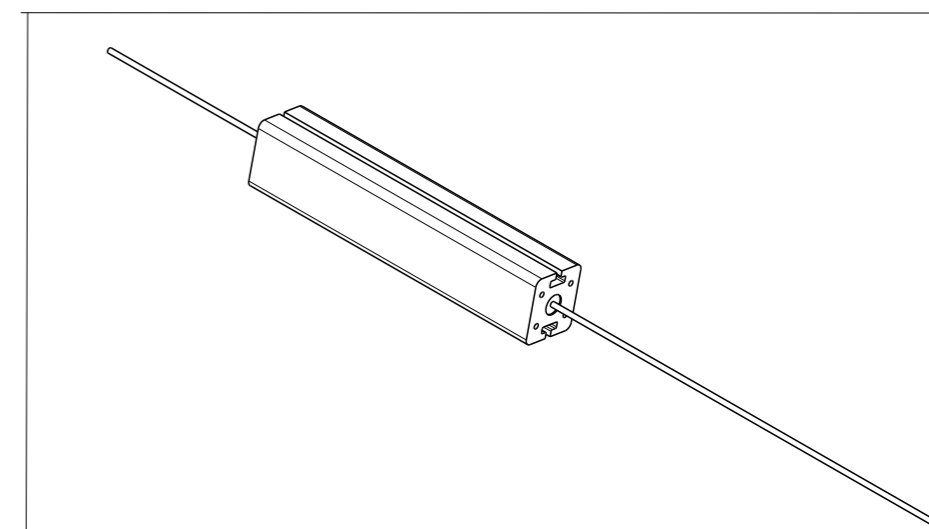
REVISIONS


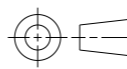
P	LTR	DESCRIPTION	DATE	DWN	APVD
	BA1	ECR-17-011125	01AUG2017	RK	TN

FOR FURTHER INFORMATION SEE DATA SHEET FOR SERIES TYPE SBC(SQUARE CERAMIC), HIGH POWER RESISTORS



RoHS Compliant



THIS DRAWING IS A CONTROLLED DOCUMENT.		DWN	28 JULY 2010	 TE Connectivity	
		CHK	28 JULY 2010		
		APVD	28 JULY 2010		
		NAME	STEPHEN.P		
DIMENSIONS:		TOLERANCES UNLESS OTHERWISE SPECIFIED:		HIGH POWER RESISTOR TYPE	
mm				SBC (SQUARE CERAMIC) SERIES SBCHE11	
		0 PLC	±0.2	SIZE	
		1 PLC	±0.1	CAGE CODE	
		2 PLC	±	DRAWING NO	
		3 PLC	±	RESTRICTED TO	
		4 PLC	±	-	
		ANGLES	±5°	A3 00779 C-1623728	
MATERIAL		FINISH		WEIGHT	
-		-		10g	
-		-		CUSTOMER DRAWING	
				SCALE	4:1
				SHEET	1 OF 1
				REV	BA1

Mouser Electronics

Authorized Distributor

Click to View Pricing, Inventory, Delivery & Lifecycle Information:

[TE Connectivity:](#)

[1623728-7](#)