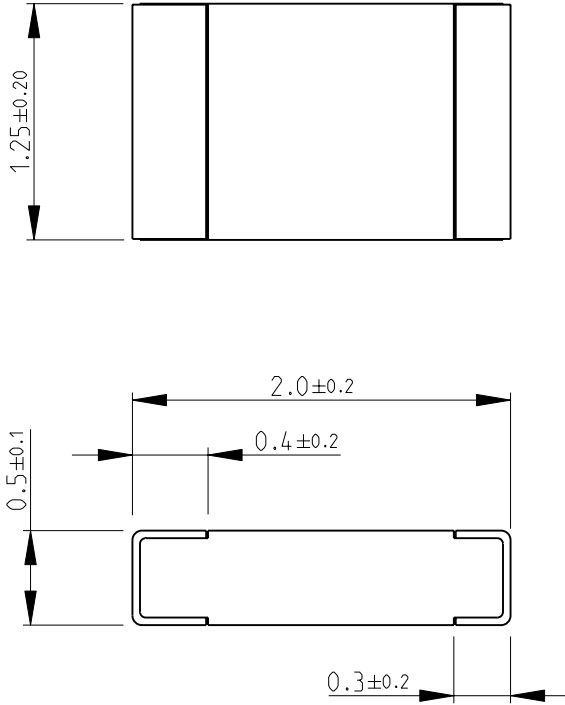
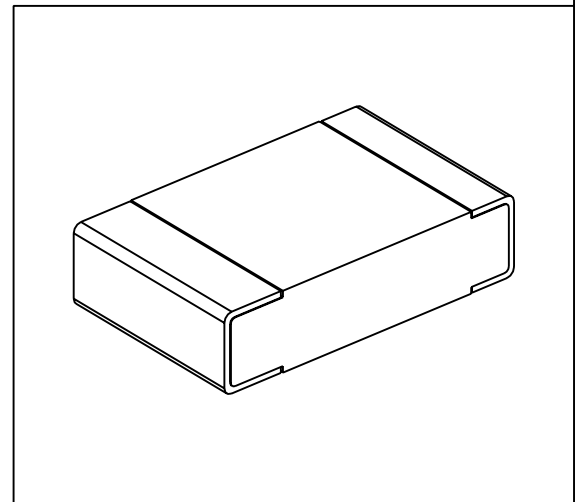


LOC	DIST	REVISIONS			
P	LTR	DESCRIPTION	DATE	DWN	APVD
E	B				
	BA1	AS PER ECR-09-006166	17-MAR-09	SM	JC

FOR FURTHER INFORMATION SEE DATA SHEET FOR
CPF SERIES-THIN FILM PRECISION CHIP RESISTORS



RoHS Compliant



2008

RELEASED FOR PUBLICATION

THIS DRAWING IS UNPUBLISHED.

BY TYCO ELECTRONICS CORPORATION. ALL RIGHTS RESERVED.



DIMENSIONS: mm	DWN SUBHASH.M	22-Sep-08	MATERIAL	-	FINISH	-
	CHK PRAKASH.S	22-Sep-08	Tyco Electronics Corporation Dorcan, Swindon, SN3 5HH			
TOLERANCES UNLESS OTHERWISE SPECIFIED:	APVD STEPHEN.P	22-Sep-08				
0 PLC ± 0.2	PRODUCT SPEC	-	NAME THIN FILM PRECISION CHIP RESISTORS SERIES CPF 0805			
1 PLC ± 0.1	APPLICATION SPEC	-				
2 PLC \pm	WEIGHT	-	SIZE	A 4	CAGE CODE	00779
3 PLC \pm			DRAWING NO	C= 1614885		RESTRICTED TO
4 PLC \pm						-
ANGLES $\pm 5^\circ$						
	CUSTOMER DRAWING		SCALE	25:1	SHEET	1 OF 1
						REV BA1

Mouser Electronics

Authorized Distributor

Click to View Pricing, Inventory, Delivery & Lifecycle Information:

[TE Connectivity:](#)

[1614885-2](#)