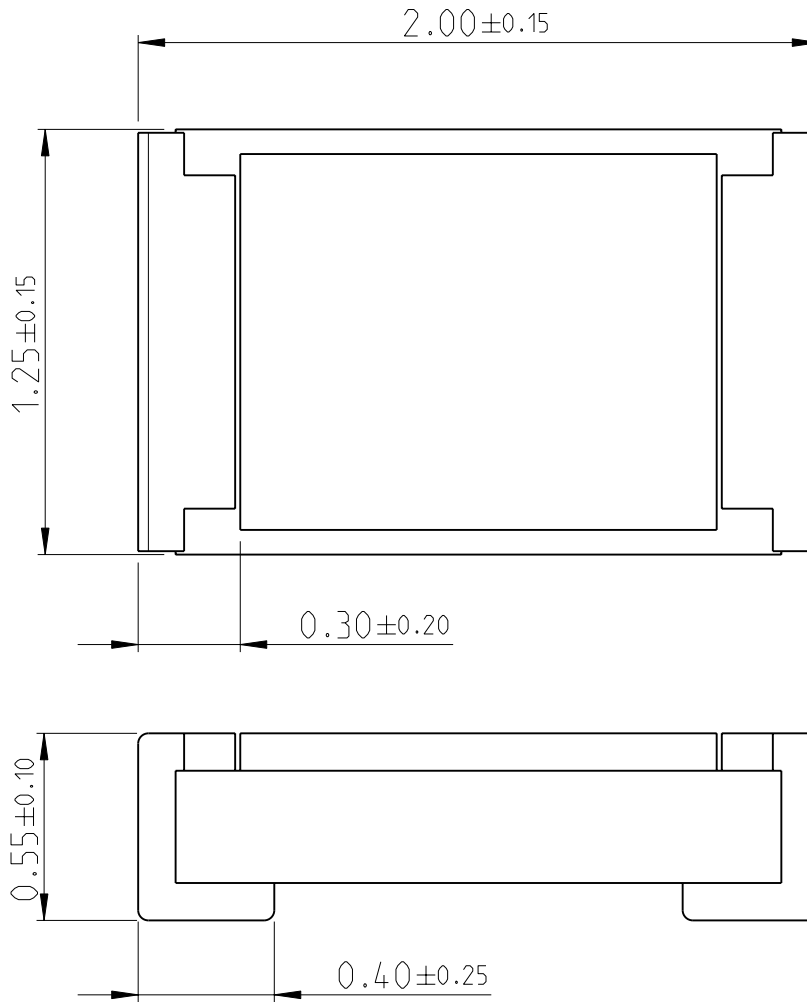
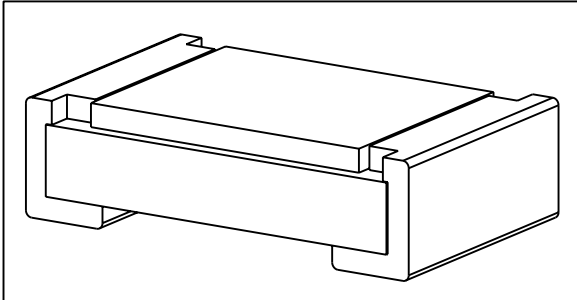


LOC	DIST	REVISIONS					
-	-	P	LTR	DESCRIPTION	DATE	DWN	APVD
		BA		NEW DRAWING	25APR2012	KR	St.P



FOR FURTHER INFORMATION SEE DATA SHEET FOR  
SMD HIGH POWER PRECISION RESISTORS - RP73 SERIES

RoHS Compliant



20


RELEASED FOR PUBLICATION

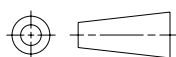
ALL RIGHTS RESERVED.

BY -

© COPYRIGHT 20

THIS DRAWING IS UNPUBLISHED.

DIMENSIONS:		DWN	25APR2012	MATERIAL	FINISH		
mm		RAGHAVENDRA K		-	-		
TOLERANCES UNLESS OTHERWISE SPECIFIED:		CHK	25APR2012	 TE Connectivity			
0 PLC ±		ALLAN P					
1 PLC ±0.5		APVD	25APR2012	NAME HIGH POWER PRECISION CHIP RESISTORS - TYPE RP73P 0805 SERIES			
2 PLC ±0.13		STEPHEN.P					
3 PLC ±0.013		PRODUCT SPEC		SIZE	CAGE CODE	DRAWING NO	RESTRICTED TO
4 PLC ±0.0001				A 4	00779	©-2176092	-
ANGLES ±		APPLICATION SPEC		CUSTOMER DRAWING			SCALE
							40:1
		WEIGHT	0.005 Gram	SHEET		1 OF 1	REV
							BA



# Mouser Electronics

Authorized Distributor

Click to View Pricing, Inventory, Delivery & Lifecycle Information:

[TE Connectivity:](#)

[1-2176092-9](#)