



## HF-Performer 1 14-35 TL5 HE EII 220-240V 50/60Hz

Product family description  
Flat, Slim, multi wattage, lightweight high-frequency  
electronic ballast for TL5 fluorescent lamps

### Features and Benefits:

- The combination HPPERFORMER and TL5 lamps offers opportunities for miniaturisation and reduced cost of ownership, thanks to the limited dimensions and the high system efficacy
- Programmed start: warm start circuit preheating the lamp electrodes; this enables the lamps to be switched on and off without reducing useful life
- Equipped with electrode heating cut-off circuit, ensuring optimal lamp operation with respect to lumen curve of lamp and reduction in system energy losses
- Low energy consumption
- Smart power: constant light independent of mains voltage fluctuations
- Unit is protected against excessive mains voltages and incorrect connections
- Automatic stop circuit isactivated within five seconds in case of lamp failure (safety stop); once the lamp has been replaced, the ballast resets automatically
- Equipped with terminations suitable for automatic wiring machines

### Applications:

- Department stores, shops, supermarkets
- Airports, railway stations
- Office buildings, for example, insurance companies, banks, government ministries
- Hospitals
- Hotels
- Suitable for emergency installations with VDE 0108 with re-ignition &lt; 0.5s
- Suitable for use with infrared remote control systems

Product data	
Order code	928559 30
Full product code	871150092855930
loccod	
Full product name	HF-Performer 1 14-35 TL5 HE EII 220-240V 50/60Hz
Order product name	HF-P 1 14-35 TL5 HE EII 220-240V 50/60Hz
Packing type	Unpacked

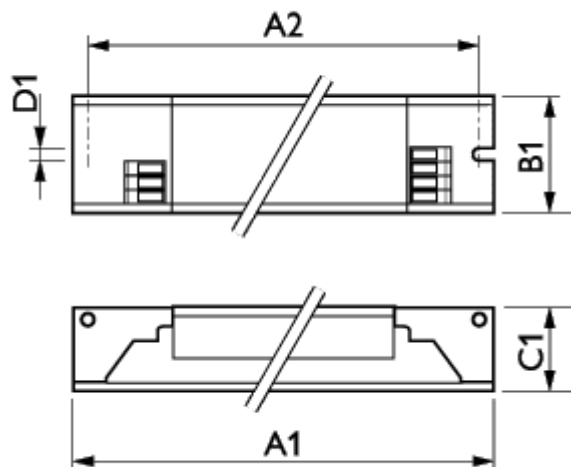
Product data	
Pieces per pack	1
Packing configuration	12
Packs per outerbox	12
Bar code on pack - EAN1	
Bar code on pack - EAN1	8711500928559
Bar code on intermediate packing - EAN2	
Bar code on outerbox - EAN3	8711500928566
Logistic code(s) - 12NC	9137 001 65866   9137 006 12966   9137 006 12995
ILCOS code	
Net weight per piece	0.270 KG
Successor order code	
Rated Number of Lamps	1piece
Rated Ballast-Lamp Power	14-35
Rated Lamptype	TL5 HE
Application code	EII
Line Voltage	220-240V
Line Frequency	50/60Hz
Energy Efficiency Index	A2



HF-P



HF-P



HF-P

	A1	A1	A2	A2	B1	B1
Full product name	Nom	Nom	Nom	Nom	Nom	Nom
HF-Performer 1 14-35 TL5 HE EII 220-240V 50/60Hz	360.0	360.0	350.0	350.0	30.0	30.0

	C1	C1	D1	D1
Full product name	Nom	Nom	Nom	Nom
HF-Performer 1 14-35 TL5 HE EII 220-240V 50/60Hz	22.0	22.0	4.2	4.2

