

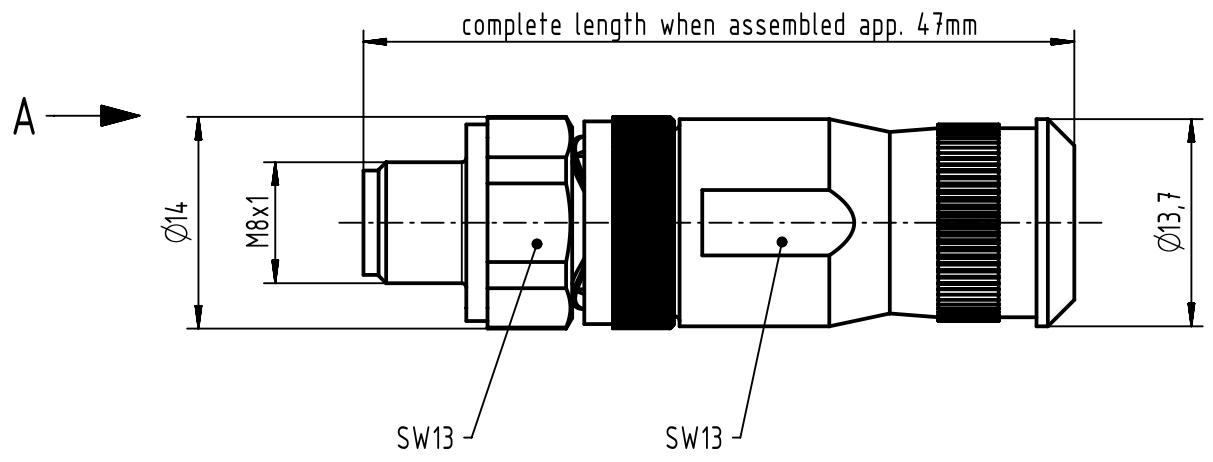
1 2 3 4 5 6

A

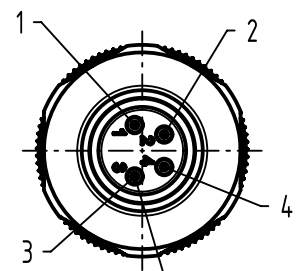
B

C

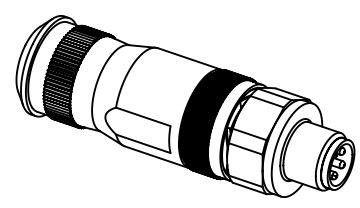
D




A (2:1)



contact face acc. to
IEC 61076-2-104



conductor cross section	0.5mm ² max. AWG20
cable outside diameter	4 - 5.5mm

	All Dimensions in mm Original Size DIN A4		Scale 2:1	Free size tol.		Ref.	
	All rights reserved Department EC PD - DE		Created by EISFELD	Inspected by WELLMANN	Standardisation SCHREIER	Date 2015-04-02	State Final Release
HARTING Electronics GmbH D-32339 Espelkamp		Title HARTING M8 screw straight 4-pole male shielded				Doc-Key / ECM-Nr. 100617444/UGD/001/A 500000087333	
		Type TB	Number 21023691401		Rev. A	Page 1/1	