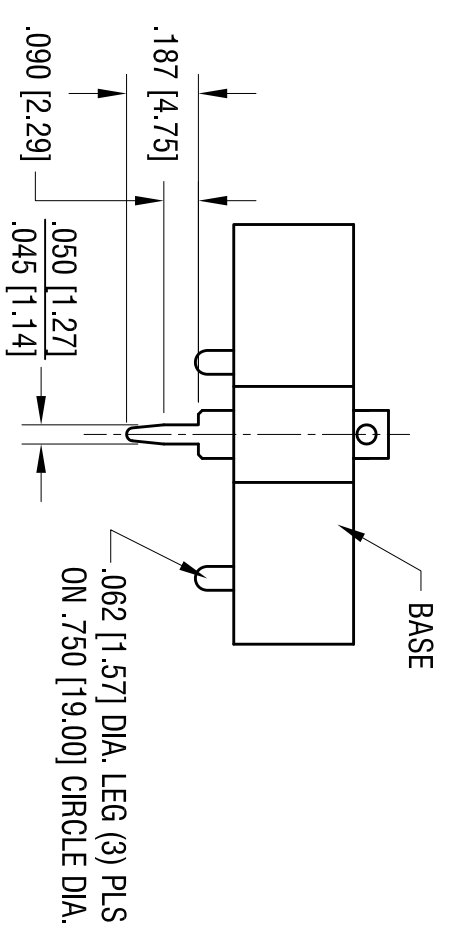
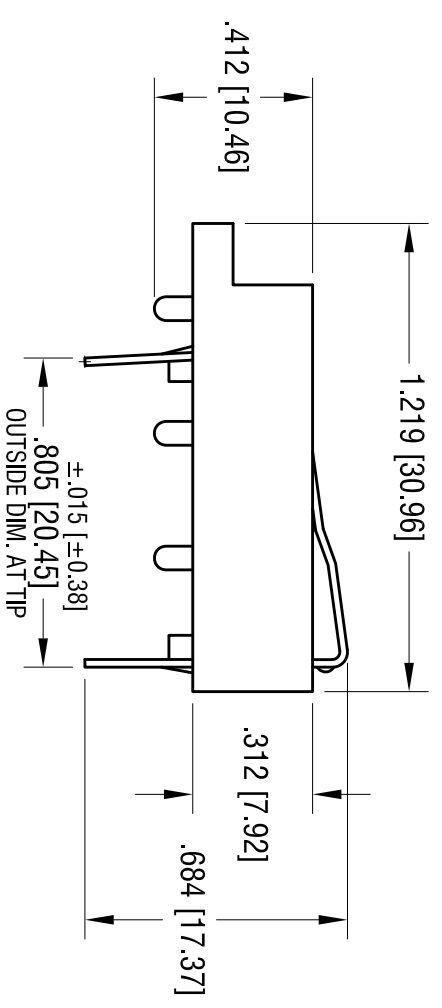
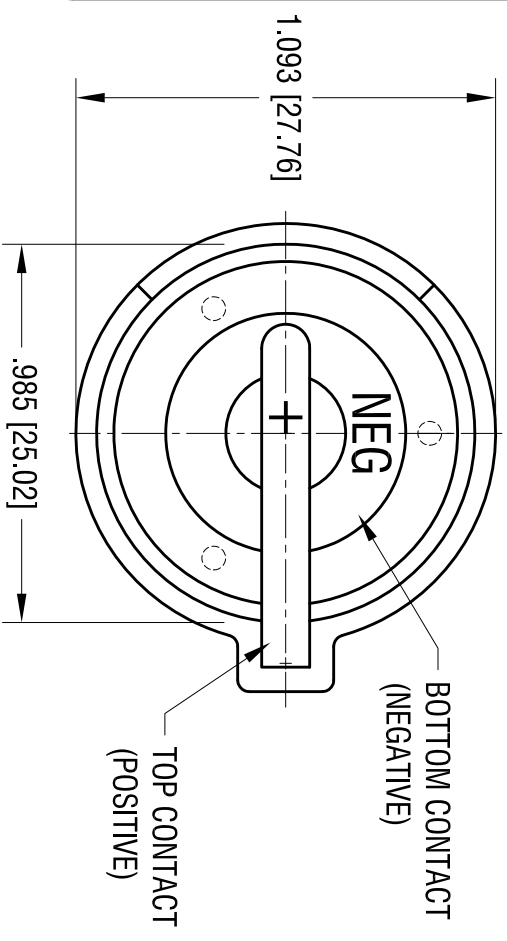
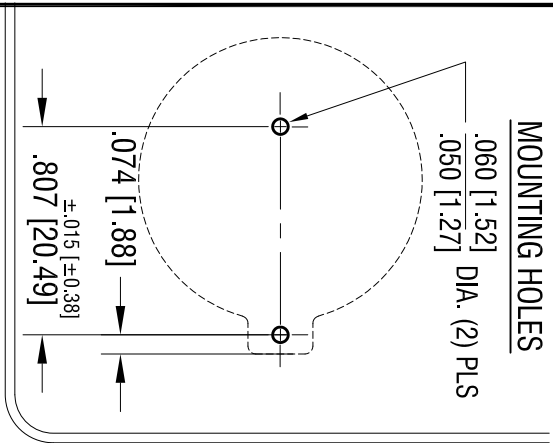


MOUNTING HOLES



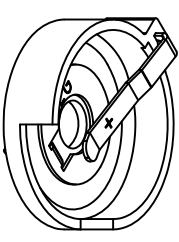
DATE	DESCRIPTION	REV.
9.20.04	CHANGE AS PER ECN 04-118	B
2.27.12	CHANGE AS PER ECN 12-025	C

KEYSTONE ELECTRONICS CORP.

www.keystone.com • NEW HYDE PARK, NY 11040 • Tel (516) 328-7500

PART NAME: COIN CELL PC BATTERY HOLDER
 MATERIAL: AS NOTED

FINISH: AS NOTED
 TOLERANCES: INCH [MM]
 DECIMAL ± .010 [± 0.25]
 ANGULAR ± 1°
 CODE: C
 DWG NO.: 1025-7



ACTUAL SIZE

THIS DOCUMENT IS THE PROPERTY OF KEYSTONE ELECTRONICS CORP. AND SHALL NOT BE REPRODUCED, DISTRIBUTED OR USED AS A BASIS FOR MANUFACTURE WITHOUT PRIOR WRITTEN PERMISSION FROM KEYSTONE ELECTRONICS CORP.

- NOTES:**
1. BASE: MAT'L - PBT (UL 94V-0), COLOR BLACK
 2. CONTACTS (TOP AND BOTTOM): MAT'L - .020 [0.50] THK SPRING STEEL
FINISH: TIN NICKEL PLATE

Mouser Electronics

Authorized Distributor

Click to View Pricing, Inventory, Delivery & Lifecycle Information:

[Keystone Electronics:](#)

[1025-7](#)