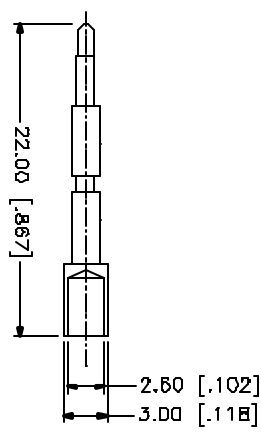
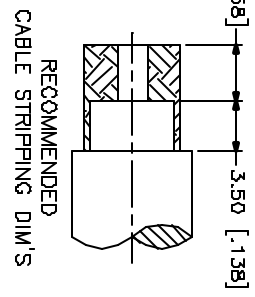
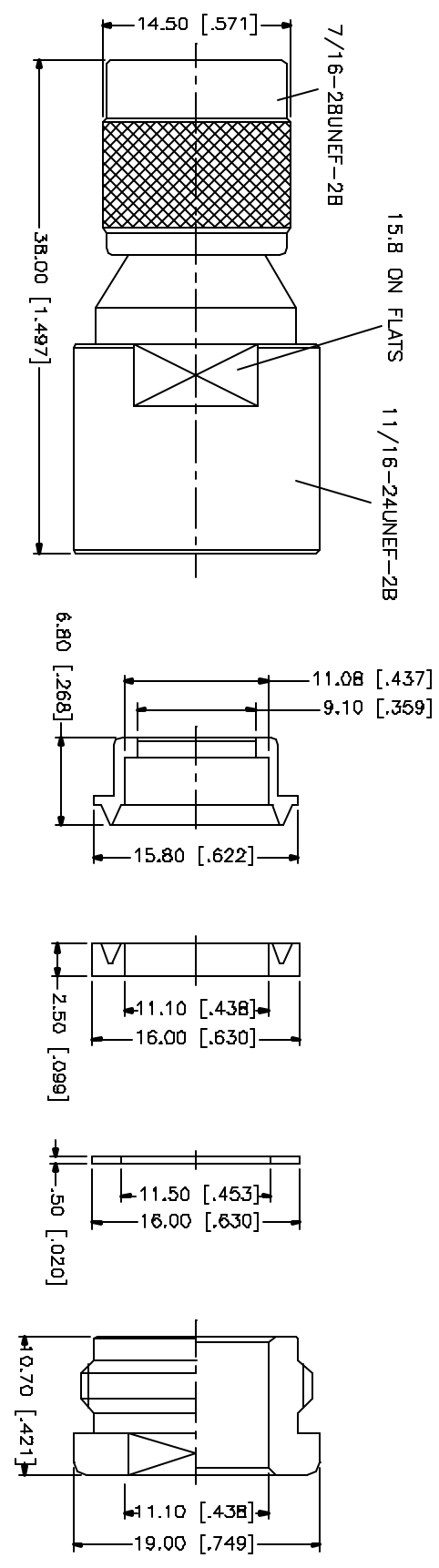


REV.	DATE	DESCRIPTION
A	03/20/05	MODIFY DESCRIPTION - UPDATE DRAWING FORMAT



8	UNITED OVERSIZE SPECIFIED PARTING ARE NUMBER AND FOR DRAWING REFERENCE ONLY.														
7	UNITED OVERSIZE SPECIFIED PARTING ARE NUMBER AND FOR DRAWING REFERENCE ONLY.														
6	UNITED OVERSIZE SPECIFIED PARTING ARE NUMBER AND FOR DRAWING REFERENCE ONLY.														
5	UNITED OVERSIZE SPECIFIED PARTING ARE NUMBER AND FOR DRAWING REFERENCE ONLY.														
4	UNITED OVERSIZE SPECIFIED PARTING ARE NUMBER AND FOR DRAWING REFERENCE ONLY.														
3	UNITED OVERSIZE SPECIFIED PARTING ARE NUMBER AND FOR DRAWING REFERENCE ONLY.														
2	UNITED OVERSIZE SPECIFIED PARTING ARE NUMBER AND FOR DRAWING REFERENCE ONLY.														
1	UNITED OVERSIZE SPECIFIED PARTING ARE NUMBER AND FOR DRAWING REFERENCE ONLY.														
DESCRIPTION		MATERIAL		FINISH		QTY		DO NOT SCALE DRAWING							
NUT		BRASS		NICKEL		1		<table border="1"> <thead> <tr> <th colspan="2">APPROVALS</th> <th>DATE</th> </tr> </thead> <tbody> <tr> <td>DRAWN</td> <td>G.R.S.</td> <td>03/20/05</td> </tr> </tbody> </table>		APPROVALS		DATE	DRAWN	G.R.S.	03/20/05
APPROVALS		DATE													
DRAWN	G.R.S.	03/20/05													
WASHER		BRASS		NICKEL		1									
GASKET		SILICONE		RED		1									
BRAID CLAMP		BRASS		NICKEL		1									
CONTACT PIN		BRASS		GOLD		1									
INSULATOR		TEFLON		NATURAL		1									
BODY		BRASS		NICKEL		1									
<p style="text-align: center;">Amphenol Connex</p> <p style="text-align: center;">PART DESCRIPTION: TNC CLAMP PLUG (FOR RG-8/U, 213/U, 214/U CABLE)</p> <p style="text-align: center;">PART NO.: 122381</p> <p style="text-align: center;">DWG. NO.: 122381.DWG</p>															

Mouser Electronics

Authorized Distributor

Click to View Pricing, Inventory, Delivery & Lifecycle Information:

[Amphenol:](#)

[122381](#)