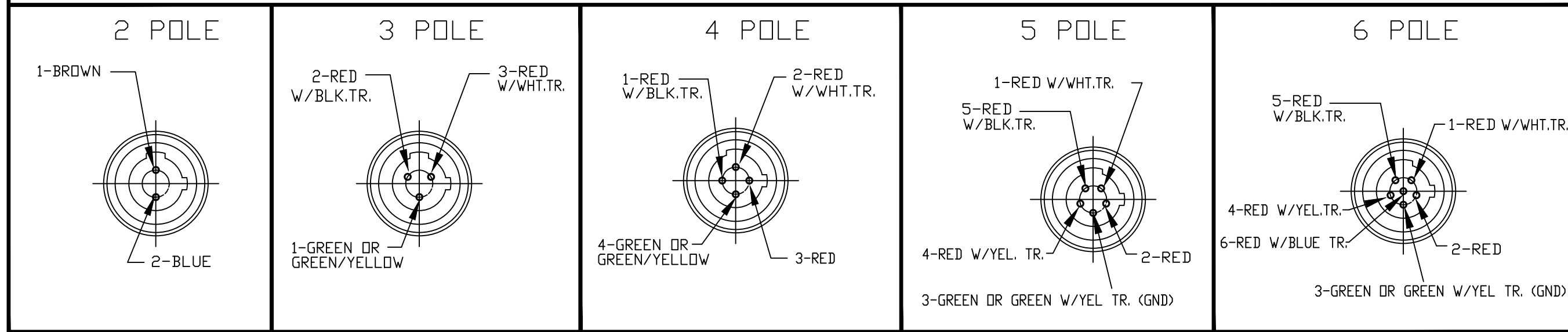


FRONT VIEW — FEMALE INSERT WIRING COLOR CODE



**CABLE LENGTH TOLERANCES**

>.3M [1FT]:	+19mm-0 [+ .75in-0]
.3 - .9M [1 - 3FT]:	+44.5mm-0 [+1.75in-0]
.9 - 1.8M [3 - 6FT]:	+55.6mm-0 [+2.19in-0]
1.8 - 3.7M [6 - 12FT]:	+88.9mm-0 [+3.50in-0]
3.7 - 7.3M [12 - 24FT]:	+165.1mm-0 [+6.50in-0]
7.3-14.6M [24 - 48FT]:	+317.5mm-0 [+12.50in-0]
14.6 - 30.5M [48-100FT]:	+622.3mm-0 [+24.50in-0]
OVER 30M [100FT]	+2% OF FINISHED LENGTH

**PART NUMBER LEGEND**

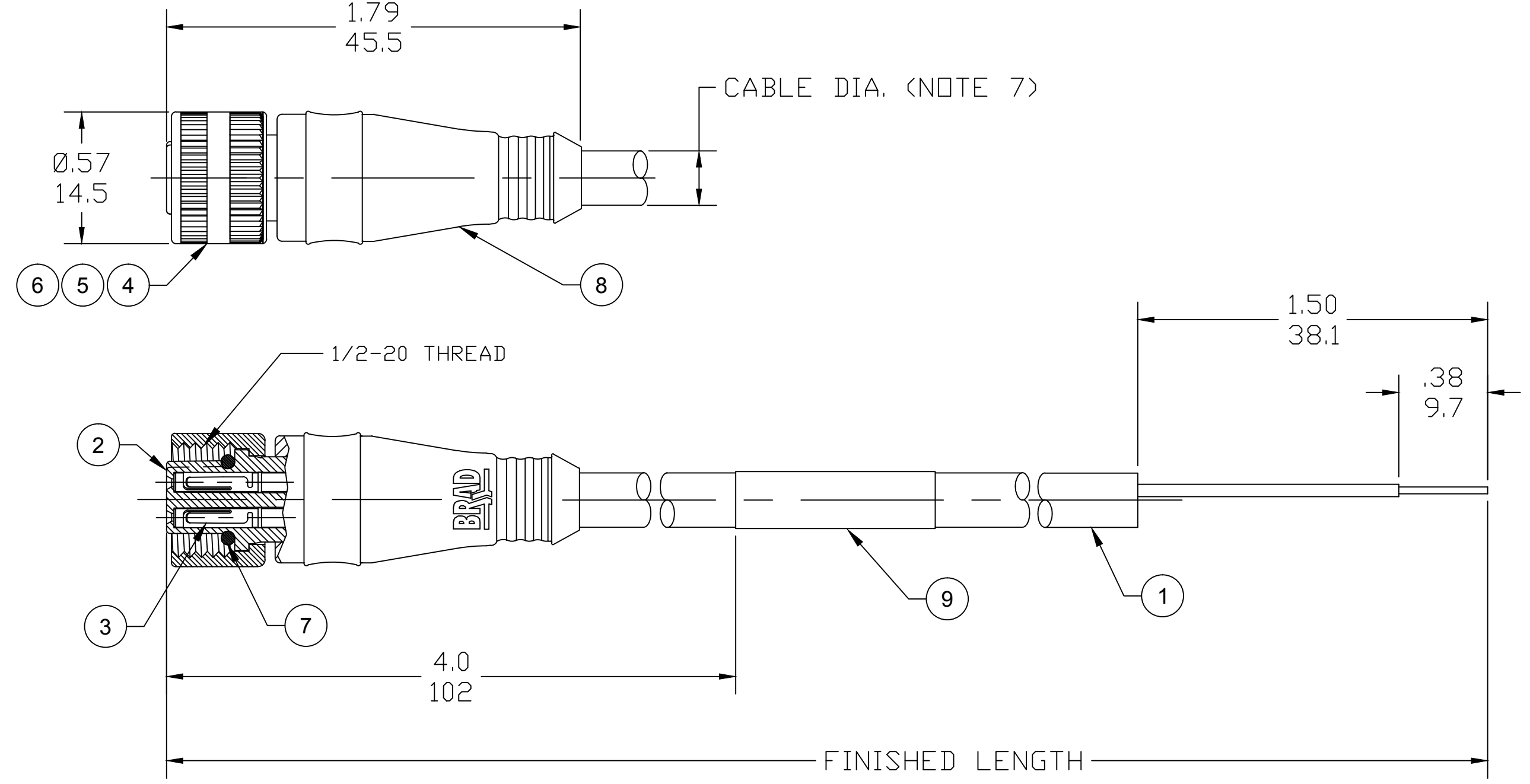
702000D02F0601 (A1)

CABLE TYPE  
22AWG SHLD, PVC

COUPLING NUT OPTIONS  
BLANK= DIE CAST ZINC  
1= 303 STAINLESS STEEL  
2= NON METALLIC  
8= 316 ST. STEEL

FINISHED LENGTH:  
F010= 1 FOOT  
F100= 10FEET

M005= 0.5 METER  
M010= 1 METER  
M100= 10 METER



- NOTES:**
1. MATERIAL: AS NOTED
  2. FINISH: AS NOTED
  3. ELECTRICAL:  
VOLTAGE: 250 VOLTS AC/DC  
CURRENT: 4A
  4. TEMP RATING: -20°TO +105°C
  5. PROTECTION: IP67 (WHEN MATED)
  6. COUPLING THREAD: 1/2-20 UNF
  7. CABLE DIA: MIN .20 FOR 2 CIR, MAX .25 FOR 6 CIR
  8. ALL DIMS ARE FOR REFERENCE UNLESS NOTED OTHERWISE

CHART

PART NO.	ENGINEERING NO.	FINISHED LENGTH
1200720058	702000D02F020	2 FEET
1200720062	702000D02F0601	6 FEET
1200720574	706000D02F1202	12 FEET

ITEM	DESCRIPTION	MATERIAL	FINISH
9	FLAG LABEL	VINYL	BLACK/YELLOW
8	OVERMOLD	PVC	YELLOW
7	O-RING	NITRILE	RED
6	COUPLING NUT, FEMALE THD0 (-2 OPT)	DELTRIN	WHITE
5	COUPLING NUT, FEMALE THD (-1 & -8 OPT)	ST. STEEL	PASSIVATED
4	COUPLING NUT, FEMALE THD (STD OPT)	ZINC DIE-CAST	BLACK
3	CONTACT SOCKET	COPPER ALLOY	GOLD PLATED
2	FEMALE INSERT	NYLON	BLACK
1	CABLE, 22 AWG, SHIELDED	PVC JACKET	YELLOW

CORRECT PIN LEGEND EC NO: IPG2019-0338 DRWN: RSTONE 1/15/19 CHKD: BWOODMAN2017/07/19 APPR: BWOODMAN2017/07/21	QUALITY SYMBOL ▽=0 ▽=0	GENERAL TOLERANCES (UNLESS SPECIFIED) 4 PLACES ±--- ±--- 3 PLACES ±--- ±--- 2 PLACES ±--- ±--- 1 PLACE ±--- ±--- ANGULAR ±---° DRAFT WHERE APPLICABLE MUST REMAIN WITHIN DIMENSIONS	DIMENSION STYLE IN/MM DRAWN BY DATE RSTONE 2017/07/14 CHECKED BY DATE M ZIELIN 2017/07/19 APPROVED BY DATE BWOODMAN 2017/07/21	SCALE --- DESIGN UNITS INCH THIRD ANGLE PROJECTION	TITLE MIC CORD ASSY 2-6 POLE FEMALE, DUAL KEY 22 AWG SHIELDED PVC MOLEX INCORPORATED DOCUMENT NO. SD-120072-022 SHEET NO. 1 OF 1	
	MATERIAL NO. -	SIZE C	THIS DRAWING CONTAINS INFORMATION THAT IS PROPRIETARY TO MOLEX INCORPORATED AND SHOULD NOT BE USED WITHOUT WRITTEN PERMISSION			

# Mouser Electronics

Authorized Distributor

Click to View Pricing, Inventory, Delivery & Lifecycle Information:

Molex:

[1200720178](#) [703000D02F120](#)