

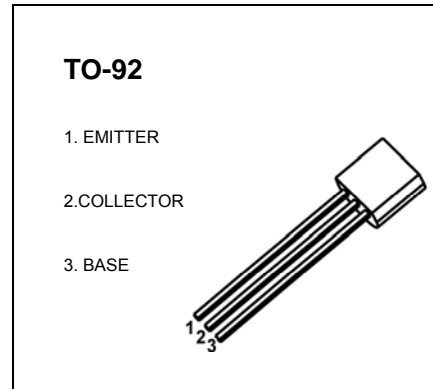
TO-92 Plastic-Encapsulate Transistors

BF421
BF423

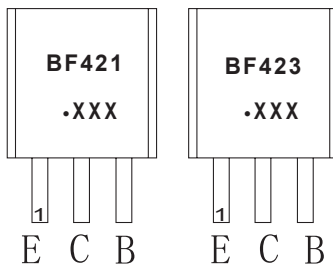
TRANSISTOR (PNP)

FEATURES

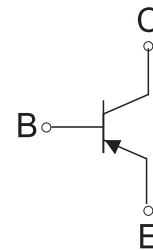
- Low Feedback Capacitance.
- PNP Transistors in a TO-92 Plastic Package.
NPN Complements: BF420 and BF422
- Class-B Video Output Stages in Colour Television and Professional Monitor Equipment.



MARKING



Equivalent Circuit



BF421,BF423=Device code

Solid dot=Green molding compound device,
if none,the normal device
XXX=Code

ORDERING INFORMATION

| Part Number | Package | Packing Method | Pack Quantity |
|-------------|---------|----------------|---------------|
| BF421 | TO-92 | Bulk | 1000pcs/Bag |
| BF421-TA | TO-92 | Tape | 2000pcs/Box |
| BF423 | TO-92 | Bulk | 1000pcs/Bag |
| BF423-TA | TO-92 | Tape | 2000pcs/Box |

MAXIMUM RATINGS (T_a=25°C unless otherwise noted)

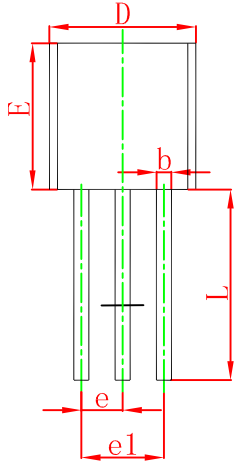
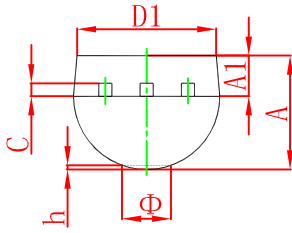
| Symbol | Parameter | BF421 | BF423 | Unit |
|-------------------|---------------------------------------------|------------|-------|-------|
| V _{CBO} | Collector-Base Voltage | -300 | -250 | V |
| V _{CEO} | Collector-Emitter Voltage | -300 | -250 | V |
| V _{EBO} | Emitter-Base Voltage | -5 | | V |
| I _C | Collector Current -Continuous | -100 | | mA |
| P _C | Collector Power Dissipation | 0.83 | | W |
| R _{thja} | Thermal resistance from junction to ambient | 151 | | °C /W |
| T _j | Junction temperature | 150 | | °C |
| T _{stg} | Storage Temperature Range | -55 ~ +150 | | °C |

ELECTRICAL CHARACTERISTICS

$T_a=25^\circ\text{C}$ unless otherwise specified

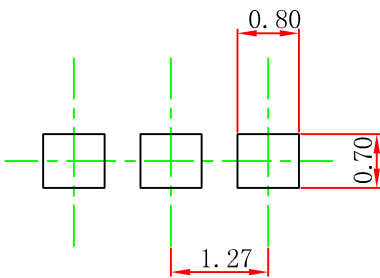
| Parameter | Symbol | Test conditions | Min | Max | Unit |
|--------------------------------------|---------------------------------|----------------------------------------------------------------------------|--------------|---------------|---------------|
| Collector-base breakdown voltage | BF421 BF423 $V_{(BR)CBO}$ | $I_C=-100\mu\text{A}, I_E=0$ | -300 -250 | | V |
| Collector-emitter breakdown voltage | BF421 BF423 $V_{(BR)CEO}$ | $I_C=-1\text{mA}, I_B=0$ | -300 -250 | | V |
| Emitter-base breakdown voltage | $V_{(BR)EBO}$ | $I_E=-100\mu\text{A}, I_C=0$ | -5 | | V |
| Collector cut-off current | I_{CBO} | $V_{CB}=-200\text{V}, I_E=0$ | | -0.01 | μA |
| Emitter cut-off current | BF421 BF423 I_{EBO} | $V_{EB}=-5\text{V}, I_C=0$ | | -0.1 -0.05 | μA |
| DC current gain | h_{FE} | $V_{CE}=-20\text{V}, I_C=-25\text{mA}$ | 50 | | |
| Collector-emitter saturation voltage | BF421 BF423 $V_{CE(sat)}$ | $I_C=-20\text{mA}, I_B=-2\text{mA}$ $I_C=-30\text{mA}, I_B=-5\text{mA}$ | | -0.6 | V |
| Transition frequency | f_T | $V_{CE}=-10\text{V}, I_C=-10\text{mA}$ $f=100\text{MHz}$ | 60 | | MHz |
| Feedback capacitance | C_{re} | $V_{CE}=-30\text{V}, I_C=0, f=1\text{MHz}$ | | 1.6 | pF |

TO-92 Package Outline Dimensions



| Symbol | Dimensions In Millimeters | | Dimensions In Inches | |
|--------|---------------------------|--------|----------------------|-------|
| | Min | Max | Min | Max |
| A | 3.300 | 3.700 | 0.130 | 0.146 |
| A1 | 1.100 | 1.400 | 0.043 | 0.055 |
| b | 0.380 | 0.550 | 0.015 | 0.022 |
| c | 0.360 | 0.510 | 0.014 | 0.020 |
| D | 4.300 | 4.700 | 0.169 | 0.185 |
| D1 | 3.430 | | 0.135 | |
| E | 4.300 | 4.700 | 0.169 | 0.185 |
| e | 1.270 TYP | | 0.050 TYP | |
| e1 | 2.440 | 2.640 | 0.096 | 0.104 |
| L | 14.100 | 14.500 | 0.555 | 0.571 |
| Φ | | 1.600 | | 0.063 |
| h | 0.000 | 0.380 | 0.000 | 0.015 |

TO-92 Suggested Pad Layout



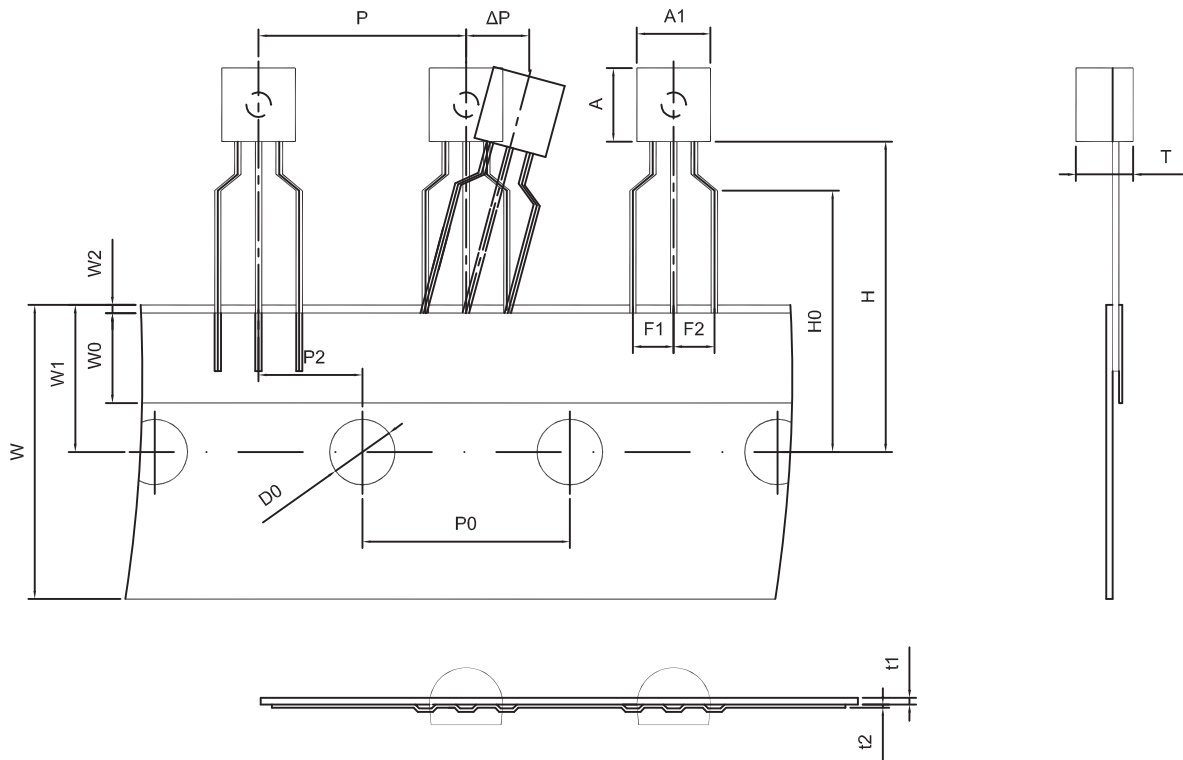
Note:

1. Controlling dimension: in millimeters.
2. General tolerance: $\pm 0.05\text{mm}$.
3. The pad layout is for reference purposes only.

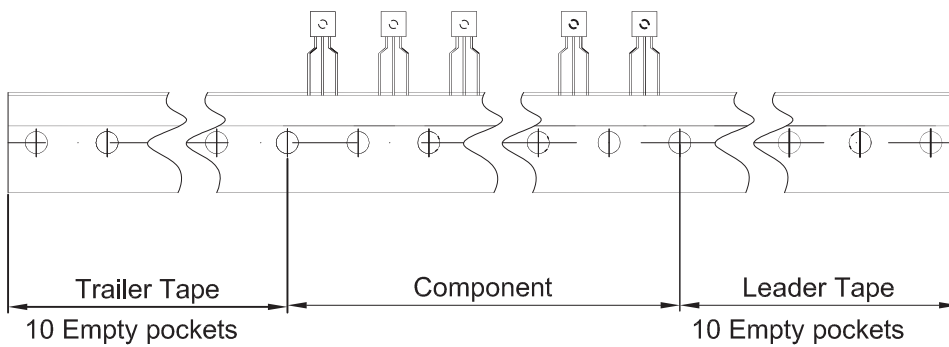
NOTICE

JCET reserve the right to make modifications, enhancements, improvements, corrections or other changes without further notice to any product herein. JCET does not assume any liability arising out of the application or use of any product described herein.

TO-92 PACKAGE TAPEING DIMENSION



| Dimiensions are in millimeter | | | | | | | | |
|-------------------------------|-----|----------|------|------|------|-----|-----|------|
| A1 | A | T | P | P0 | P2 | F1 | F2 | W |
| 4.5 | 4.5 | 3.5 | 12.7 | 12.7 | 6.35 | 2.5 | 2.5 | 18.0 |
| W0 | W1 | W2 | H | H0 | D0 | t1 | t2 | ΔP |
| 6.0 | 9.0 | 1.0 MAX. | 19.0 | 16.0 | 4.0 | 0.4 | 0.2 | 0 |



| Package | Box | Box Size(mm) | Carton | Carton Size(mm) |
|---------|----------|--------------|------------|-----------------|
| TO-92 | 2000 pcs | 333×162×43 | 20,000 pcs | 350×340×250 |