

Test Probe

GKS-101 303 115 A 0800

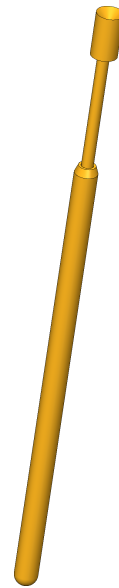
Item GKS-101-0012



ingun[®]

Partner for Future Technology

INGUN SELECTION



1:1

Test Probe

GKS-101 303 115 A 0800

Item GKS-101-0012



GO TO PRODUCT

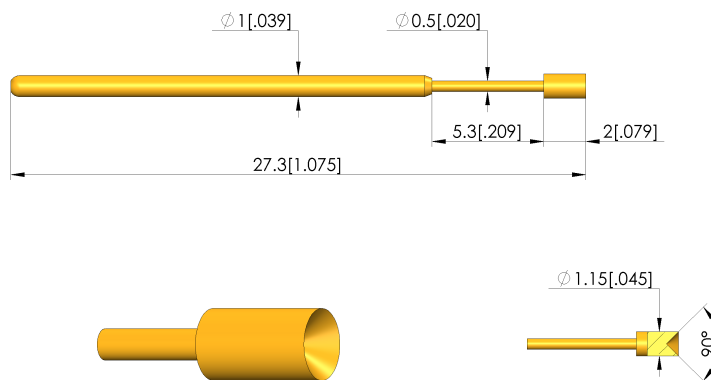
ingun[®]

Partner for Future Technology

General data

Product group	ICT / FCT (in-circuit test and function test)
Sub-product group	Short/robust GKS
Series	GKS-101
Grid	1.91 mm [75 mil]
Contacting from	Pin, Post
Magnetic	Yes
Installation type	Plug-in
Quick-exchange system	Yes
Adjustable installation height	No
Non-rotating	No
Compatible receptacle(s)	KS-101
Min. temperature	- 40 °C [- 104 °F]
Max. temperature	+ 80 °C [+ 176 °F]
RoHS-compliant	Yes

INGUN SELECTION

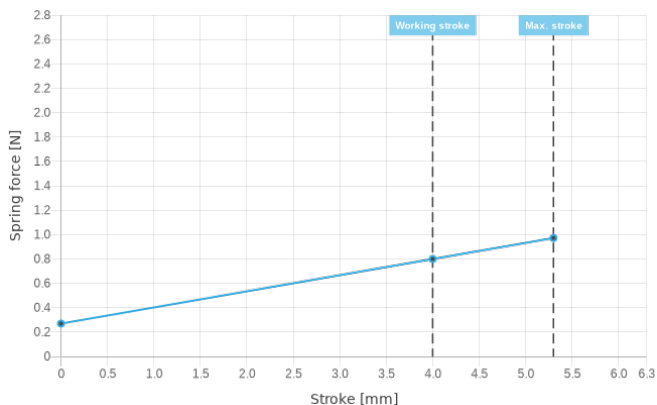


Electrical data

Current load capacity / rated current	4 A
Typical resistance (Ri)	<20 mOhm

Mechanical data

Total length	27.3 mm [1.07 in]
Barrel diameter	1 mm [.039 in]
Maximum stroke	5.3 mm [.208 in]
Spring pre-load	0.27 N [.971 ozf]
Collar height	00
Spring force at working stroke	0.8 N [2.87 ozf]
Recommended working stroke	4 mm [.157 in]



Tip style data

Tip style	03 inverse cone
Tip diameter	1.15 mm [.045 in]
Tip style surface	A gold
Tip style material	3 CuBe

INGUN Prüfmittelbau GmbH

Max-Stromeyer-Straße 162
78467, Constance, Germany
Phone +49 7531 8105-0
Customer hotline +49 7531 8105-888
Fax +49 7531 8105-65
info@ingun.com



Prices and delivery times on request.
Technical changes reserved. 11/22 EN

Weitere Informationen zum Thema
ICT/FCT Test probes

