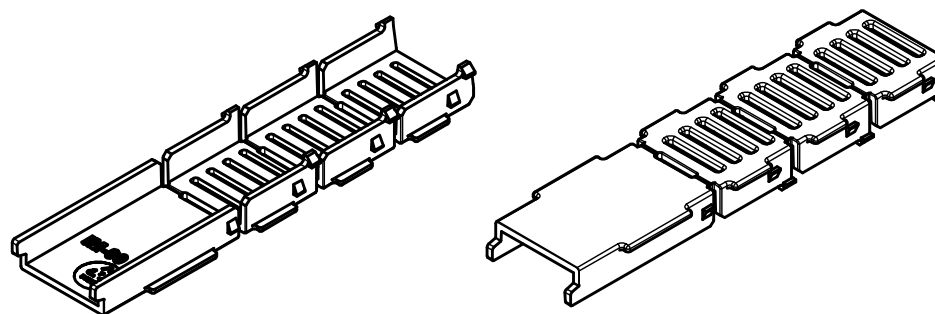
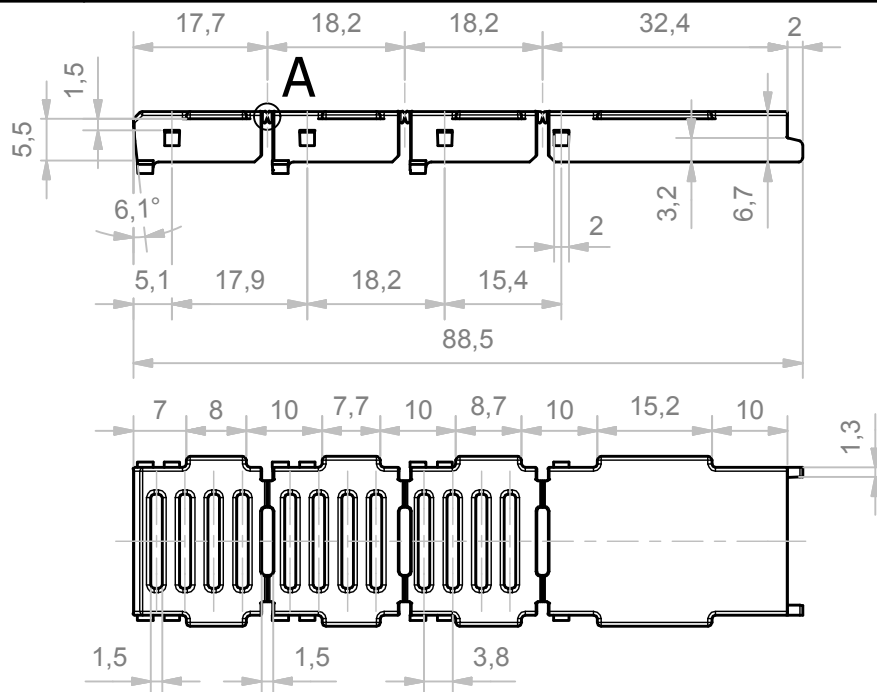
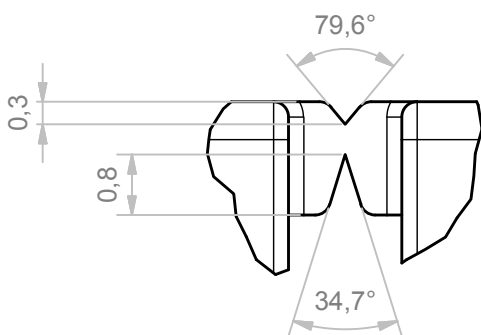


A (10:1)



General Tolerance UNI EN 22768/1 Media (m)									
da 0.5 a 3	da 3 a 6	da 6 a 30	da 30 a 120	da 120 a 400					
± 0.1	± 0.1	± 0.2	± 0.3	± 0.5					
Scale: 1 : 1	Sheet nr.: 1 / 1	Drawn: N.R.	Checked: F.F.	Date: 07/05/2018	5	4	3	2	1
Dimension in mm		Material: PC/ABS		Weight: -	Revision description Volume: -				
					Description: COPRIFFESSURA FRATTURABILE PER VERS. 22,5 MM ORIZZ. MULTILEVEL MULTILEVEL HORIZONTAL HOLE COVER BREAKBLE FOR 22,5MM ENCLOSURE				
www.italtronic.com techcare@italtronic.com					Drawing nr. 2.110.00002				Rev. 01

Aggiornato cartiglio con nuovo codice (codice superato R-02701-04). Separato viste delle varie misure. 13/03/18 I.A.

RESERVED PROPERTY: The present drawing cannot be reproduced or communicated to 3rd parties, even partially, without the authorization of ITALTRONIC Srl. Italtronic reserves to protect its own rights according to the law.