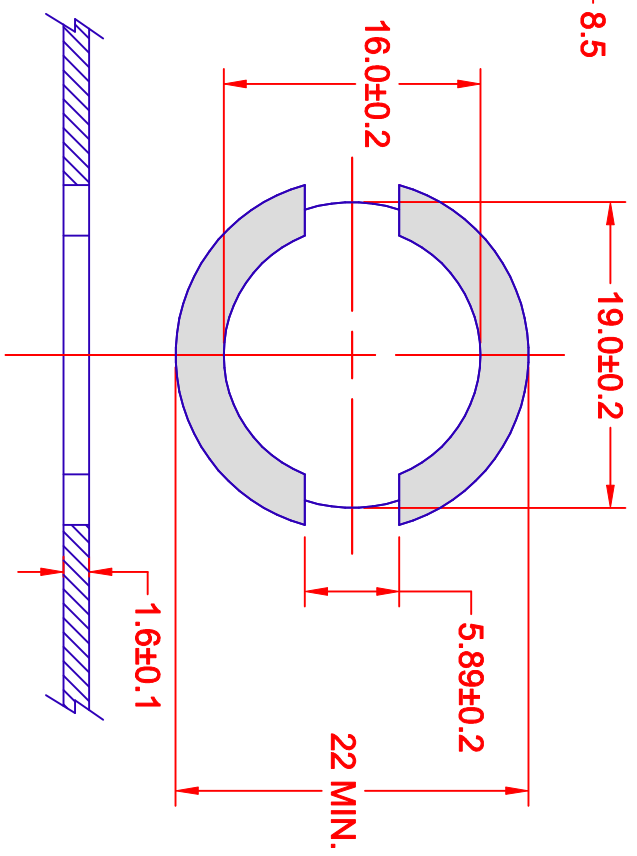
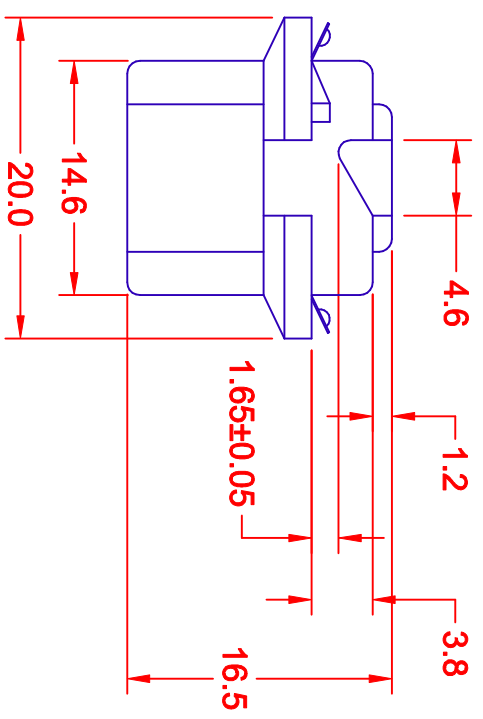
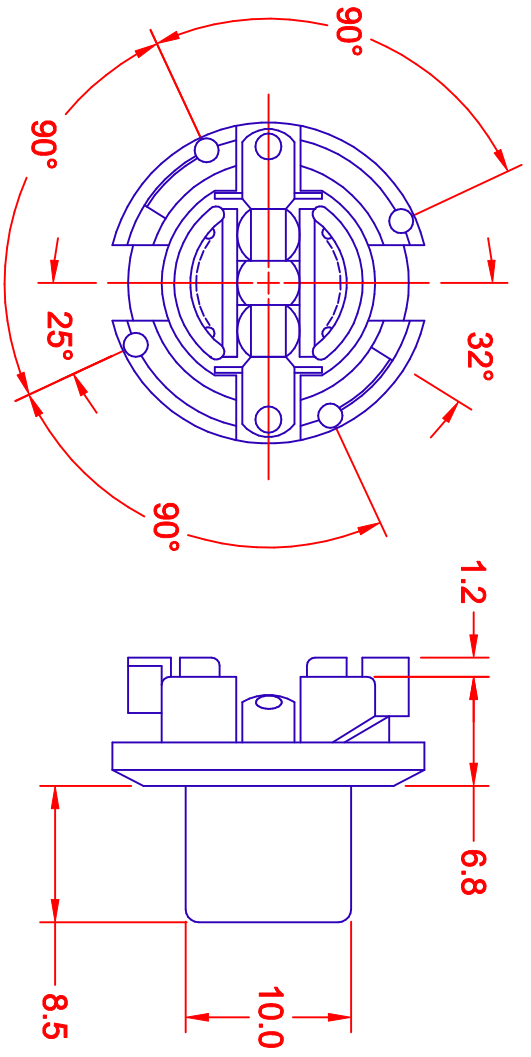


REV.	DESCRIPTION/ECO NO.	DATE
	RELEASED TO CAD	8/26/02
A	CHNG. COPPER PATTERN	4/3/03



P.C. BOARD PATTERN

JKL PART NO.: 2919/BLA
 SOCKET COLOR: BLACK

METRIC		DIMENSIONS ARE IN MILLIMETERS		TITLE	
THIRD ANGLE PROJECTION		TOLERANCE UNLESS OTHERWISE SPECIFIED		JKL COMPONENTS CORPORATION	
1 PL +/- 0.2 2 PL +/- 0.20 ANGLE +/- 0		1 PL +/- 0.2 2 PL +/- 0.20 ANGLE +/- 0		T-3 1/4 WEDGE BASE SOCKET	
DRAWN BY	APPR'D BY	DATE	DATE	SIZE	FORM NO.
L. WENGSTROM	J.K.	4/3/03		A	55335
- CAD DRAWING -			RELEASED	REVISION	REV.
MANUAL REVISIONS NOT PERMITTED			8/26/02	4/3/03	A
					SHEET
					1 OF 1