

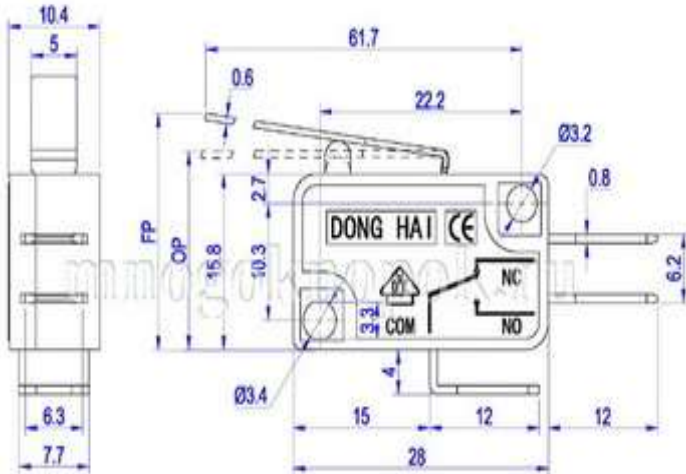
Micro Switch

Q-1733

TYPE: KW-1-103

SPECIFICATIONS

Rating: 16 A 250V AC
Contact R: 50mΩ max
Insulation R: 500V DC 100MΩ min
Dielectric Strength: 1 Minute 1500V AC
Operating Temperature: -25°C ~ +80°C
Electrical Life: 100, 000 Cycles
L, mm: 51



Mounting

Circuitry

