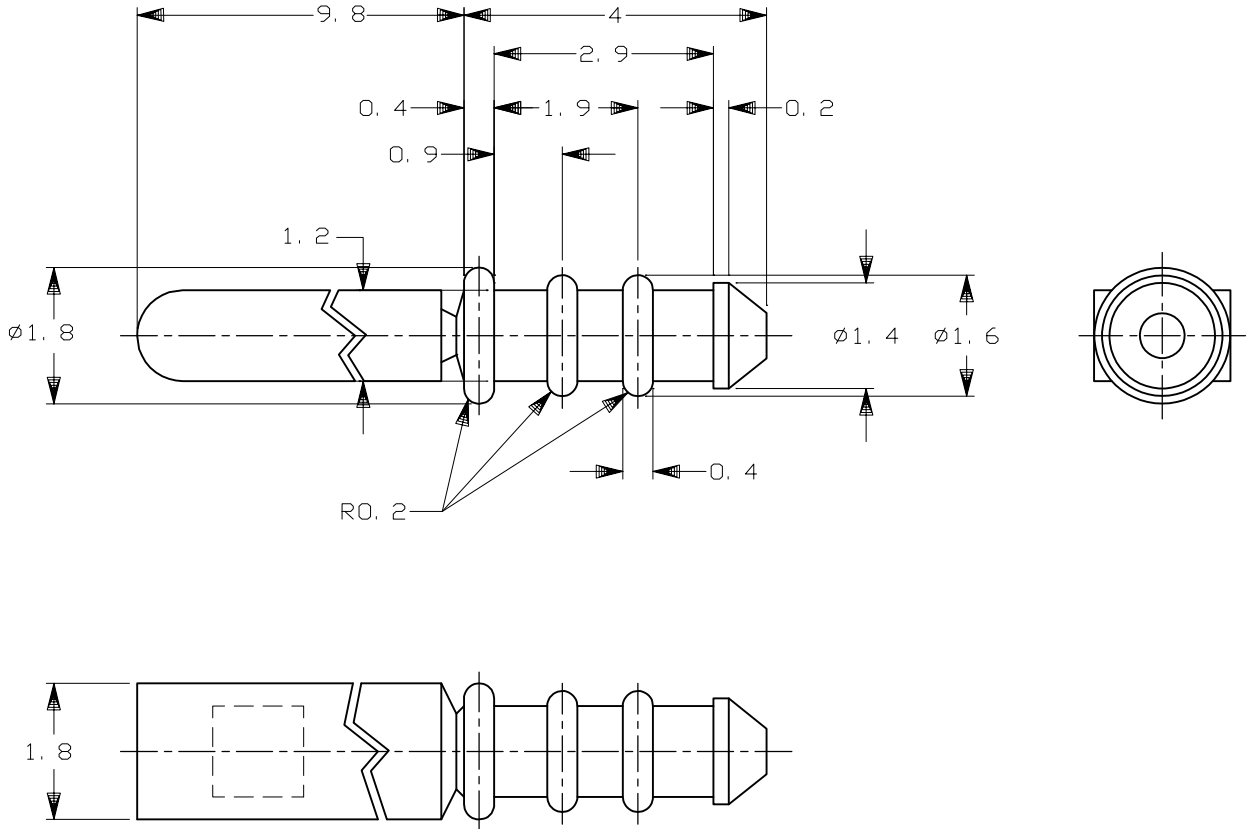


LOC J	DIST —	REVISIONS 変更			DATE	DWN	APVD
		P	LTR	DESCRIPTION			
			B2	REVISED PER ECO-11-005140	29MAR11	RK	HMR

-7: AS SHOWN
-7: 本図



RELEASED FOR PUBLICATION

ALL RIGHTS RESERVED.

THIS DRAWING IS UNPUBLISHED.

By -
COPYRIGHT -

TOLERANCES UNLESS OTHERWISE SPECIFIED:

一般公差

10 ≥	: ±0.2
30 ≥ > 10	: ±0.25
100 ≥ > 30	: ±0.3
ANGLE	: ±0.3°

DIMENSIONS:
単位: 耗
mm

DWN T.SHINOHARA 27OCT06

MATERIAL PBT, COLOR: YELLOW
材料

FINISH 仕上 -

CHK K.BETSUI 27OCT06

APVD K.BETSUI 27OCT06

PRODUCT SPEC
製品規格
108-5426

APPLICATION SPEC
取付適用規格
114-5193

WEIGHT 0.01 g

NAME 名称
CAVITY PLUG FOR
MINI MULTI-LOCK CONNECTOR

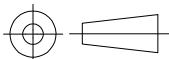
SIZE	CAGE CODE	DRAWING NO 番号	RESTRICTED TO
A4	00779	C-316390	—



TE Connectivity

TOLERANCES UNLESS OTHERWISE SPECIFIED:
一般公差

0 PLC	± -
1 PLC	± -
2 PLC	± -
3 PLC	± -
4 PLC	± -
ANGLES	± -



CUSTOMER DRAWING

SCALE 尺度 10:1 SHEET 1 OF 1

REV B2

Mouser Electronics

Authorized Distributor

Click to View Pricing, Inventory, Delivery & Lifecycle Information:

[TE Connectivity:](#)

[316390-7](#)